



**Maxwell**

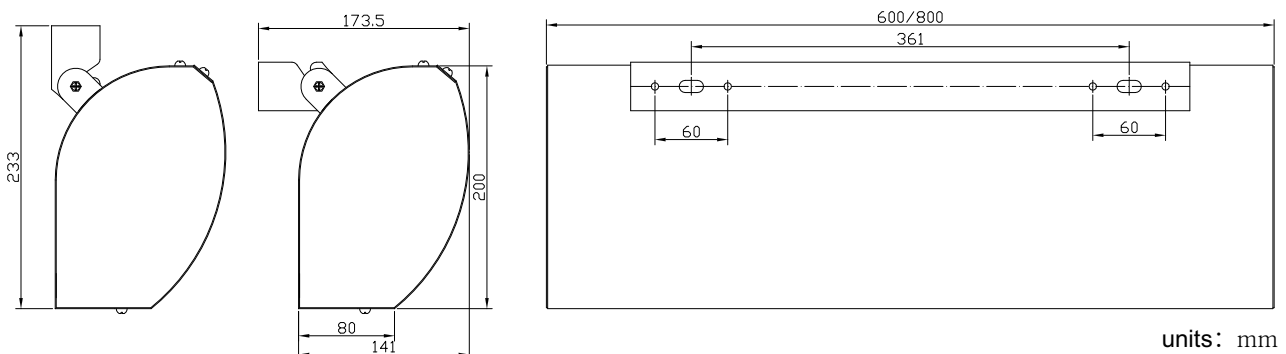
**AIR CURTAIN  
USER'S & INSTALLATION MANUAL**



**MAFH024**

Thanks for purchasing this Air Curtain.  
Please read these instructions carefully before use.

## 1. Appearance & installation sizes

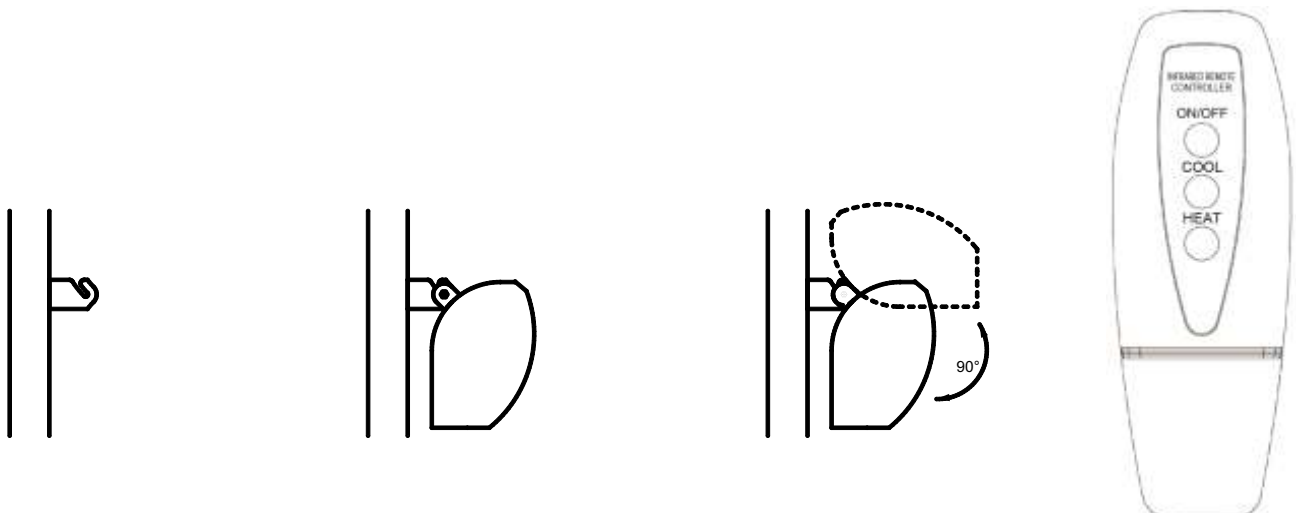


## 2. Notice for Installation & Maintenance

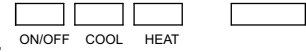
1. Install the machine under altitude of 1000 meter; temperature between  $-10^{\circ}\text{C}$  and  $+40^{\circ}\text{C}$ ; relative humidity  $\leq 90\%$ .
2. Install in solid place to avoid unnecessary vibration, this machine is indoor use.
3. Do not place the machine in high temperature, high humidity or with explosive gases, corrosive substance or any other gases or powder which may destroyed component insulation environment, also forbid in close place like inside ceiling etc.
4. Consult with professional technician for suitable wire and switch before installation.
5. Do not touch the outlet part when machine working to avoid be burned.
6. Forbid to obstruct both inlet and outlet part.
7. Recommend routine clean for inside components especially heater dust to ensure machine smooth running.
8. Routine clean to ensure air curtain smooth running.

## 3. Installation

1. Removing the mounting plate from air curtain and fixing it on concrete wall with tumefacient screws or on wooden wall with screws;
2. Confirming the mounting plate to be fixed firm and then putting air curtain on it;
3. Regulating suitable angel and then screwing down.



## 4.Operation

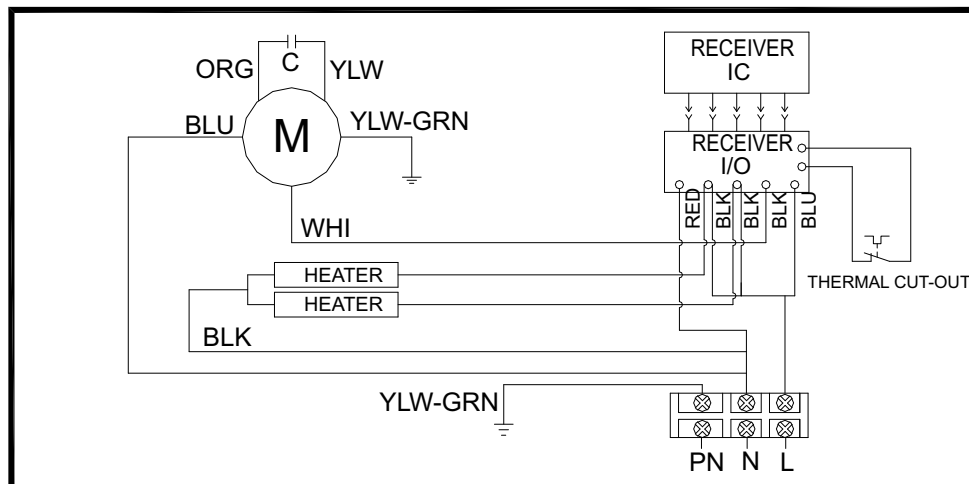


- 5.1 Pressing ON/OFF button to start up air curtain with cooling.
- 5.2 When the unit is working at the above 5.1. situation, press "HEAT" in the remote controller, receiver receives the signal with the sound of "beep" and switch cool mode to heating mode at low power. Meanwhile there is a Red light display in the receiver. Press "HEAT" button again, the unit will switch low power to high power. Meanwhile there is TWO Red lights display in the receiver. Press "HEAT" button again, the unit will switch heating mode to cool mode and the red lights display change to green light in the receiver. So when the unit is working at cool mode, press "HEAT" button can switch air curtain working under the cycle of heating low power, heating high power or cool mode.
- 5.3 Pressing ON/OFF to start up air curtain by remote controller with cooling air.
- 5.4 Pressing HEAT & COOL to switch heating and cooling by remote controller as 5.2.
- Attention: when pressing ON/OFF for shutting air curtain under heat for one minute, Air curtain continue cooling for three minutes and then shut down automatically.

## 5.Technical Parameter

Model	Volt. (V~)	Freq (Hz)	Motor Power (W)	Heater Parameter (KW)		Air Speed (m/s)	Air Flow (m <sup>3</sup> /h)	Noise (dB)	Net weight (Kg)
				H	L				
MAFH024-E2	220	60	70	3	1.5	5	300	48	7

## 6.Wiring Diagram



## 7.Notice

- Air curtain must work under voltage and frequency on label.
- Don't contact power when installation.
- Regular maintenance every year.
- Don't use gas, benzene, thinner or other similar chemical to clean air curtain.
- Water & other liquid is prohibited into motor.
- Suitable plug is used when power supply with plug; Power supply switch should be installed with more than 3mm touch distance when contact with power supply.



Made by  
**Rockwell**  
Industries, Inc.

2190 NW 89 Place, Doral, FL 33172 USA

Tel: (305)594-4972 Fax (305) 675-2212

[www.rockwellus.com](http://www.rockwellus.com) [sales@rockwellus.com](mailto:sales@rockwellus.com)