



**USER'S & INSTALLATION
MANUAL
AIR CURTAIN**



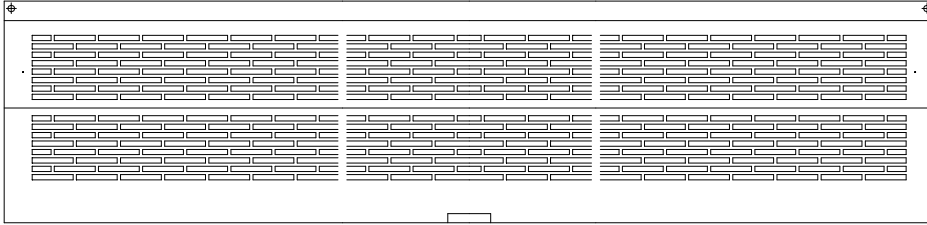
MAFH036-E2
MAFH048-E2
MAFH060-E2

1、PRODUCT INTRODUCTION

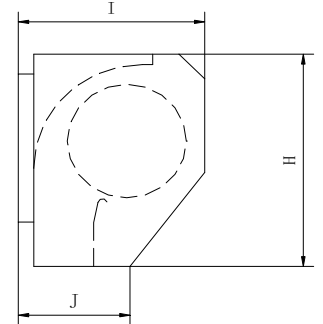
As one of the new top-class products for modern decoration, air curtain is also matched with the air-conditioner. It is installed at the entrances of supermarket, theater, meeting room, hotel, office room, working shop and storeroom to prevent the dust, mosquito and nocuous air, and so on.

2、IDENTIFICATION & INSTALLATION DIMENSIONS

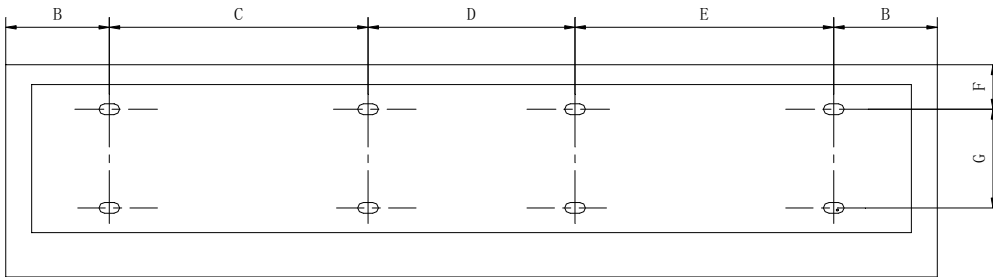
FRONT



SIZE



BACK



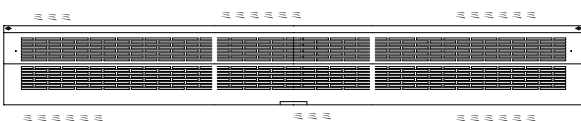
Units: in

MODEL	A	B	C	D	E	F	G	H	I	J
MAFH036-E2	35.4	1.2	11.4	22	---	2	4	8.5	7.1	4.1
MAFH048-E2	47.2		16.9	10.6	16.9					
MAFH060-E2	59		22.4	10.6	22.4					

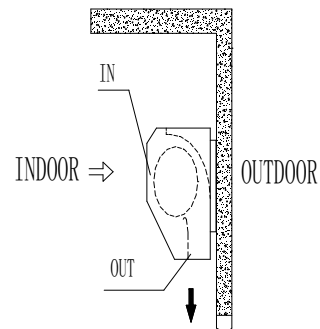
3、INSTALLATION CAUTION

Must follow the following asking when installing air curtain :

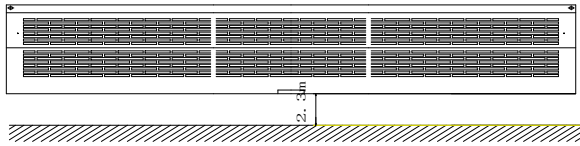
3.1 Please install the unit in a sturdy place to avoid the shaking and ensure its security (because it maybe causes the wall becoming flexible or shaking and noise.



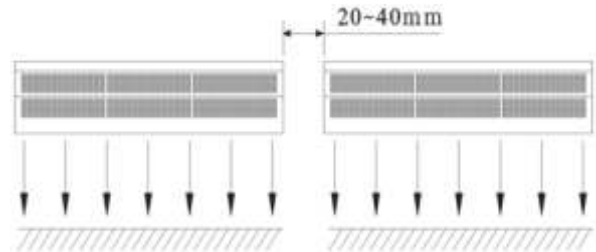
3.2 Please install the unit inside the room.



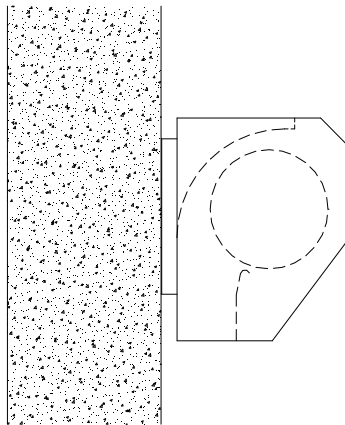
3.3 Don't install the unit too low, no less than 2.3 meter from the ground.



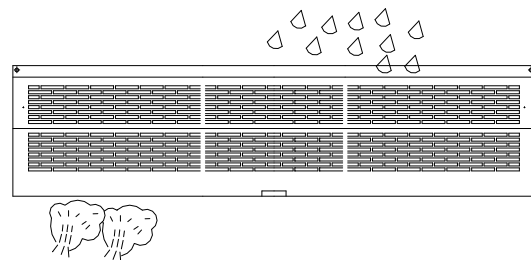
3.4 When the entrance is wider than the unit, it is recommended to install two or more units in parallel. In this case, provide 20-40mm gaps between the units.



3.5 Don't allow gaps between the unit and the wall. When hanging it from the ceiling, using the enclosed ceiling brackets.



3.6 Don't install the unit in a place where it is splashed by water, exposed to excessive steam, explosive gas or corrosive gas.

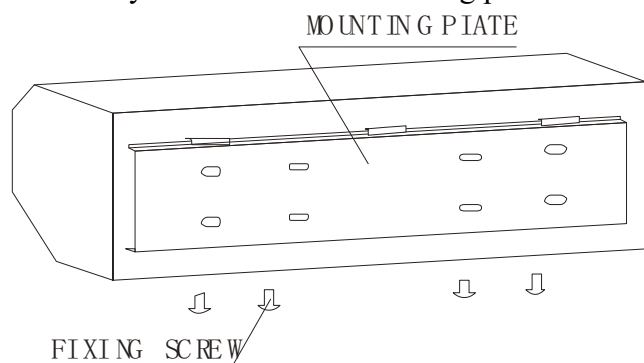


4. INSTALLATION

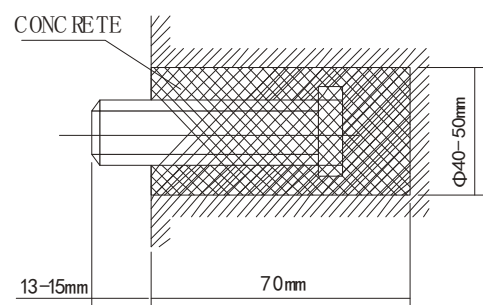
A. Installing on the concrete wall:

4.1.1 Removed the mounting plate

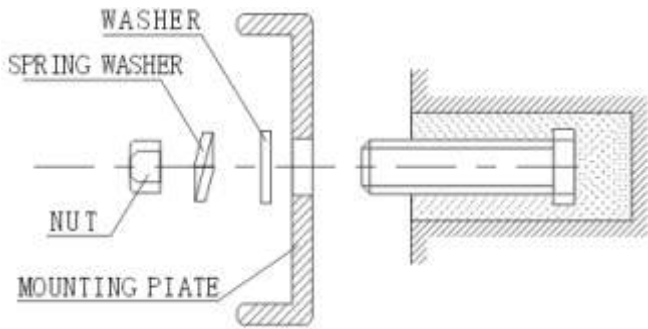
Unclamping the fixed screws on the back of main body to removed the mounting plate.



4.1.2 Fix the bolts in the proper position (Decide the position with the mounting plate and pour cement into the bolt holes.)

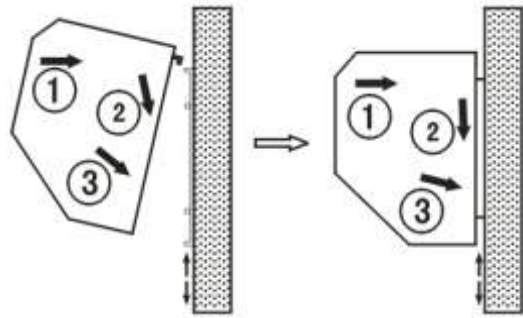


4.1.3 When the cement has freeze, fit the mounting plate (use the washer and nut according to the following)



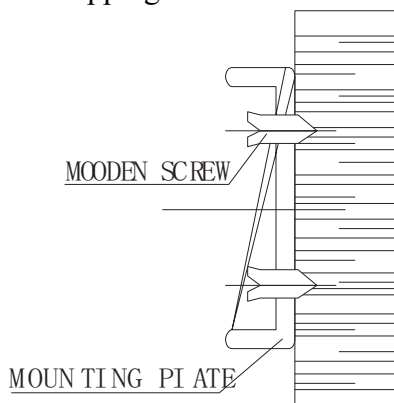
4.1.4 Install the main body

Set the main body onto the upper end of the mounting plate and clamp it as shown.

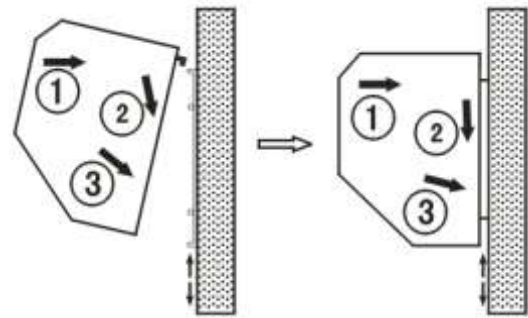


B、Installing on the wooden wall

4.2.1 Fix the mounting plate in the proper positions with tapping screw.

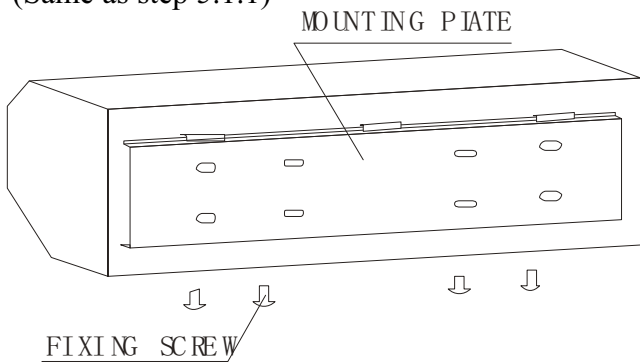


4.2.2 Same as the step 4 of A

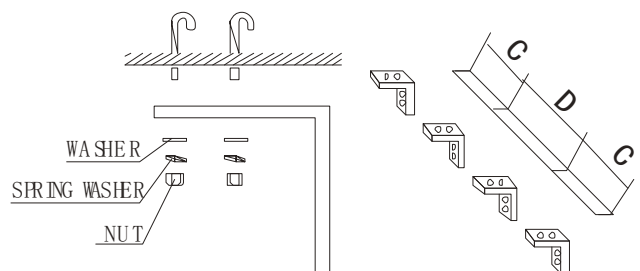


C、Hanging from the ceiling

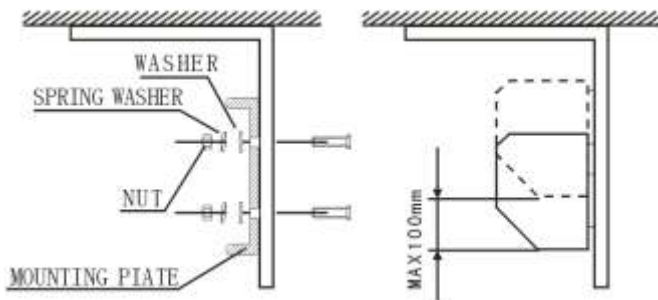
4.3.1 Remove the mounting plate from main body (Same as step 5.1.1)



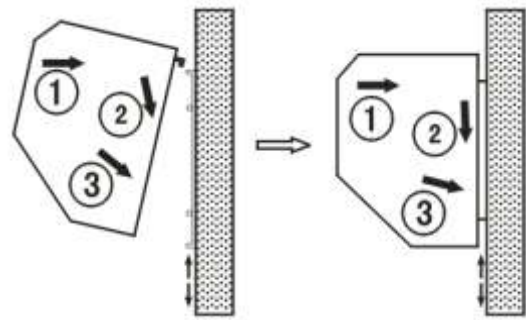
4.3.2 Fixing ceiling brackets as Fig.



4.3.3 Set the mounting plate on the ceiling brackets and ensure safe & fixing (use the bolts attached to the ceiling brackets as Fig. Using the ceiling brackets to hang from the ceiling, the position of mounting plate can be adjusted in the limit of 100mm.



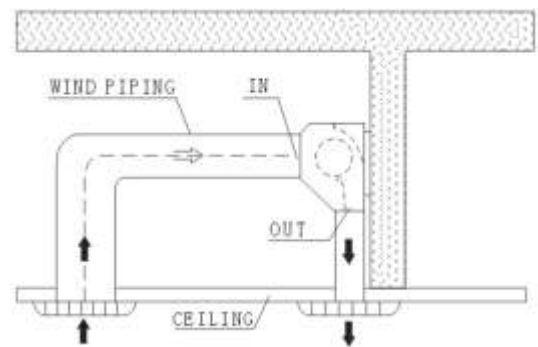
4.3.4 Do the same as step A to install the main body.



D、 For above ceiling

4.4.1 Fix the air curtain as in the procedure for installing on the concrete wall.

4.4.2 Then pipe as right Fig. Instructs.



**HEATED MODEL'S INSTALLION IS SAME AS FM SERIES.
HEATED MODEL TECHNICAL PARAMETER**

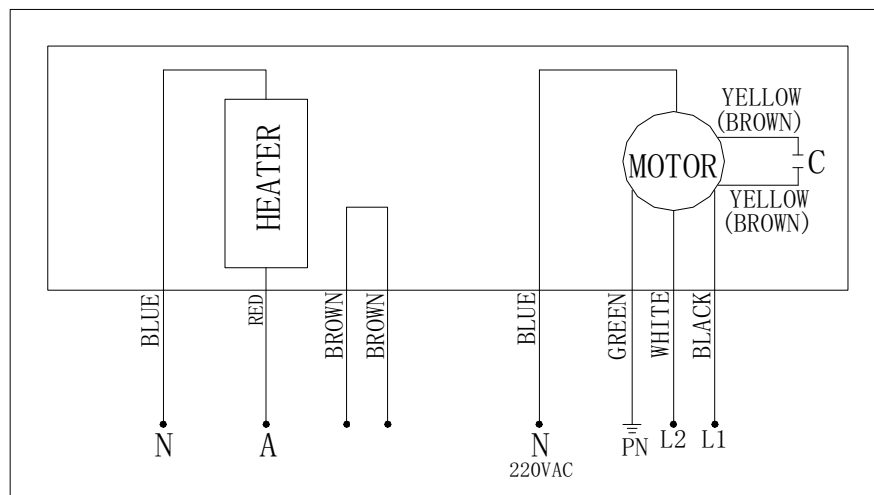
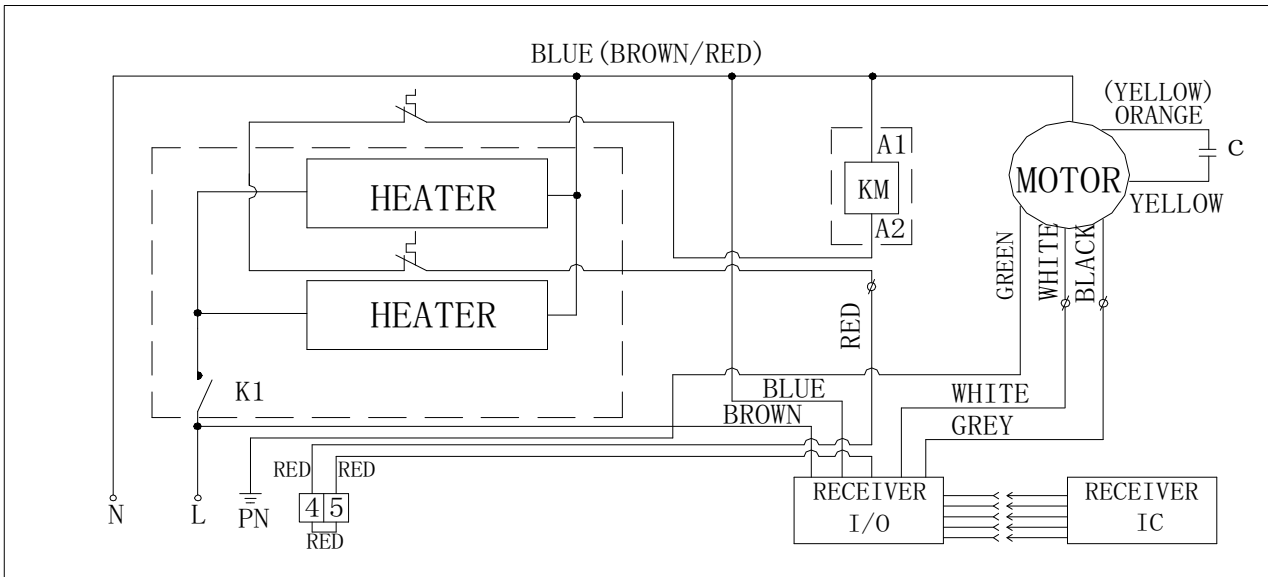
SINGLE PHASE

MODEL	Diam Of Wheel (in)	Volt. /Freq. (V~/Hz)	Motor power (W)	Heater power (KW)	Temp. (K)	Max.air speed (ft/s)	Air volume (cfm)	Net weight (LBS)
MAFH036-E2	4.5	220/60	160	6	25/35	24.6	459	32
MAFH048-E2			200	8	25/35		565	38.6
MAFH060-E2			230	10	25/45		883	46.3

LINE SIZE

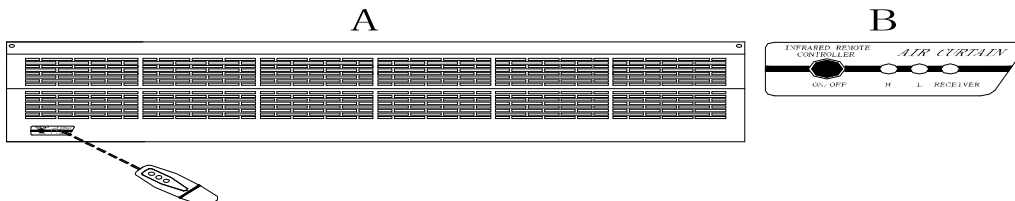
POWER ITEM	SINGLE PHASE (220V~, MAIN LINE:L、 N)						
	3	4	5	6	8	10	14
HEATER POWER (KW)							
MAIN LINE (mm ²)	2.5		4.0		6.0		10
EARTH LINE (mm ²)	2.5		4.0		6.0		10

NOTE: forbid overload to operation for a long time!



OPERATION

- 1、 Turn on the power switch
- 2、 A) In the rang of 6m&60 angle in front of Air Curtain, press the C of Emitter to star the COOLING speed, then press the H to star the HEATING speed; Turning on the Cooling speed, press the OFF of Emitter to turn off Air Curtain; Turning on the Heating speed, turn off the Air Curtain after taking off 3 minutes by press OFF.)
- B Press the ON/OFF of Receiver to change the COOLING/HEATING &turn off the Air Curtain
- 3、 According to using to adjust the grate to obtain the best effect.



5、 CAUTIONS

- a). Use the unit at the rate voltage and frequency indication on the nameplate.
- b). Disconnect power source before unit operation.
- c). Routing maintenance must be done every year.
- d). Never use petrol, benzene, thinner or any other such chemical for clearing the unit.
- e). Don't allow water or anything enter the motor.
- f). When power supply comes from socket, the plug must accord with IEC335-1. When the power cord is connected with charging line directly, all polarity switch that the contact gap is 3mm at least must be installed in the charging line.



Made by
Rockwell
Industries, Inc.

2190 NW 89 Place, Doral, FL 33172 USA

Tel: (305)594-4972 Fax (305) 675-2212

www.rockwellus.com sales@rockwellus.com