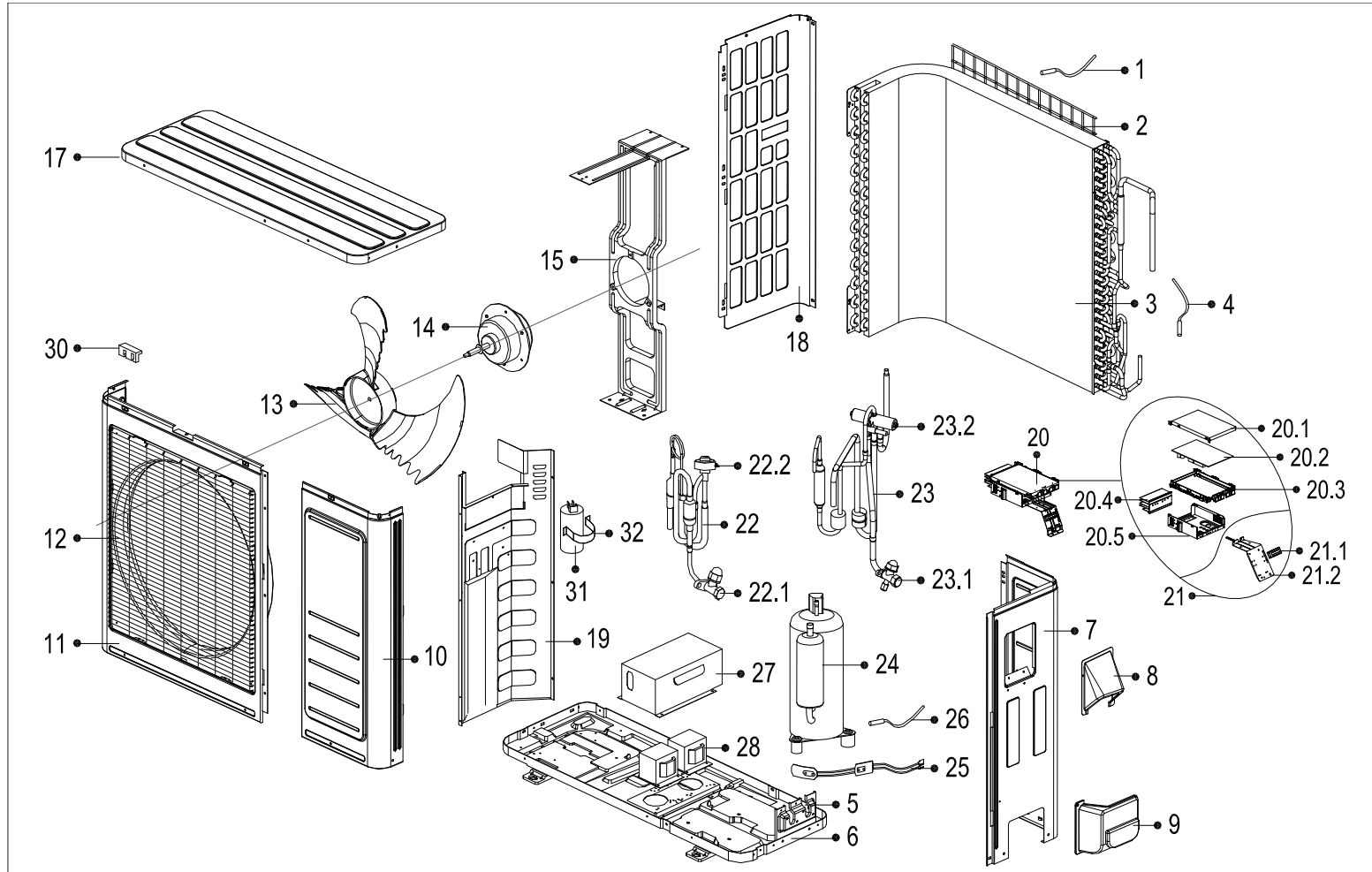


# EXPLODED DIAGRAM - PARTS VIEW

**Sales Model:** KSIO018-H221-OC | 22022016003003

**Power Supply:** 208-230V~ / 1ph / 60Hz



This information is to be used by qualified HVAC technicians only and is subject to revision without notice

KSIO018-H221-OC - Drawing No. D11O1408

DATE 14-08

## KSIO018-H221-OC - SPARE PARTS LIST

No.	Part Number	Part Name	Specifications	Stock No.	Qty.	Price	Remarks
1	11201007000143	Room Temperature Sensor			1	\$4,36	
2	12222200001554	Rear Net Shield Subassembly			1	\$20,79	
3	15822000001856	Condenser Assembly			1	\$349,80	
4	11201007000136	Temperature Sensor			1	\$5,69	
5	12222000002556	Installing plate for valves			1	\$6,90	
6	12222300000215	Chassis Assembly			1	\$74,61	
7	12222000001837	Parts of Rear Right Side Plate			1	\$43,38	
8	12222000002532	Big Handle.			1	\$6,90	
9	12122000007140	Water Collecting Cover			1	\$5,57	
10	12222200001662	Front Right Side Plate assembly			1	\$41,70	
11	12222200001825	Front Panel			1	\$53,39	
12	12222000001858	Air Outlet Guard			1	\$31,25	
13	12100105000001	Axial fan			1	\$51,89	
14	11002015000142	Brushless DC Motor			1	\$204,24	ZKFP-50-8-2
15	12222300000144	Fan Motor Holder Subassembly			1	\$43,95	
17	12222200001672	Top cover assembly			1	\$47,23	
18	12222200001643	Components of left panel			1	\$25,08	
19	12222000002351	Separator Assembly			1	\$38,35	
20	17222000001774	Outdoor E-Parts Box Subassembly			1	\$298,76	
20,1	12222000001457	Electrical Control Box Cover			1	\$7,14	
20,2	17122000000400	Subassembly of Outdoor Main Control Board			1	\$269,54	
20,3	12122000006883	Holder for Electrical Control Box			1	\$5,08	
20,4	11203803000236	Radiator			1	\$49,74	
20,5	12222000003674	Electric Installing Box			1	\$7,87	

This information is to be used by qualified HVAC technicians only and is subject to revision without notice

KSIO018-H221-OC - Parts List No. P1101408

Above prices are subject to S&H charges

DATE 14-08

## KSIO018-H221-OC - SPARE PARTS LIST

No.	Part Number	Part Name	Specifications	Stock No.	Qty.	Price	Remarks
21	17222000002907	Terminal board subassembly			1	\$45,44	
21,1	17400401000075	Wire holder			1	\$24,86	
21,2	12222000002266	Terminal Block Subassembly of Electrical Control Box			1	\$5,57	
22	15422000001699	High-Voltage valve Assembly			1	\$135,14	
22,1	15500208000008	High-Voltage valve			1	\$18,04	
22,2	15500213000176	Electric expansive valve (EEV)			1	\$103,87	
23	15422000001998	Gas Valve Assembly			1	\$149,69	
23,1	15500204000033	Low Pressure Valve			1	\$34,17	
23,2	15500216000003	4-way Valve			1	\$74,07	
24	11103020000040	Inverter Controlled Rotary Compressor			1	\$358,78	DA130M1C-31FZ
25	17402001000008	Electric heating strip of compressor			1	\$25,60	
26	11201007000157	Discharge temperature sensor assembly			1	\$8,59	
27	12222200001792	Inductor Cover Assembly			1	\$12,76	
28	17400306000055	Reactor			1	\$51,24	
28	17400306000067	Reactor			1	\$55,54	
29	15500406000016	Brass Nut			1	\$3,15	
29	15500406000012	Brass Nut			1	\$6,66	
30	12122000006844	Clamp of front net			8	\$0,24	
31	17400103000055	Compressor Capacitor(Round)			1	\$27,38	35uF/450V-50-P2(2000h)
32	12200203000011	Capacitor Clamp			1	\$0,36	

This information is to be used by qualified HVAC technicians only and is subject to revision without notice

KSIO018-H221-OC - Parts List No. P1IO1408

Above prices are subject to S&H charges

DATE 14-08