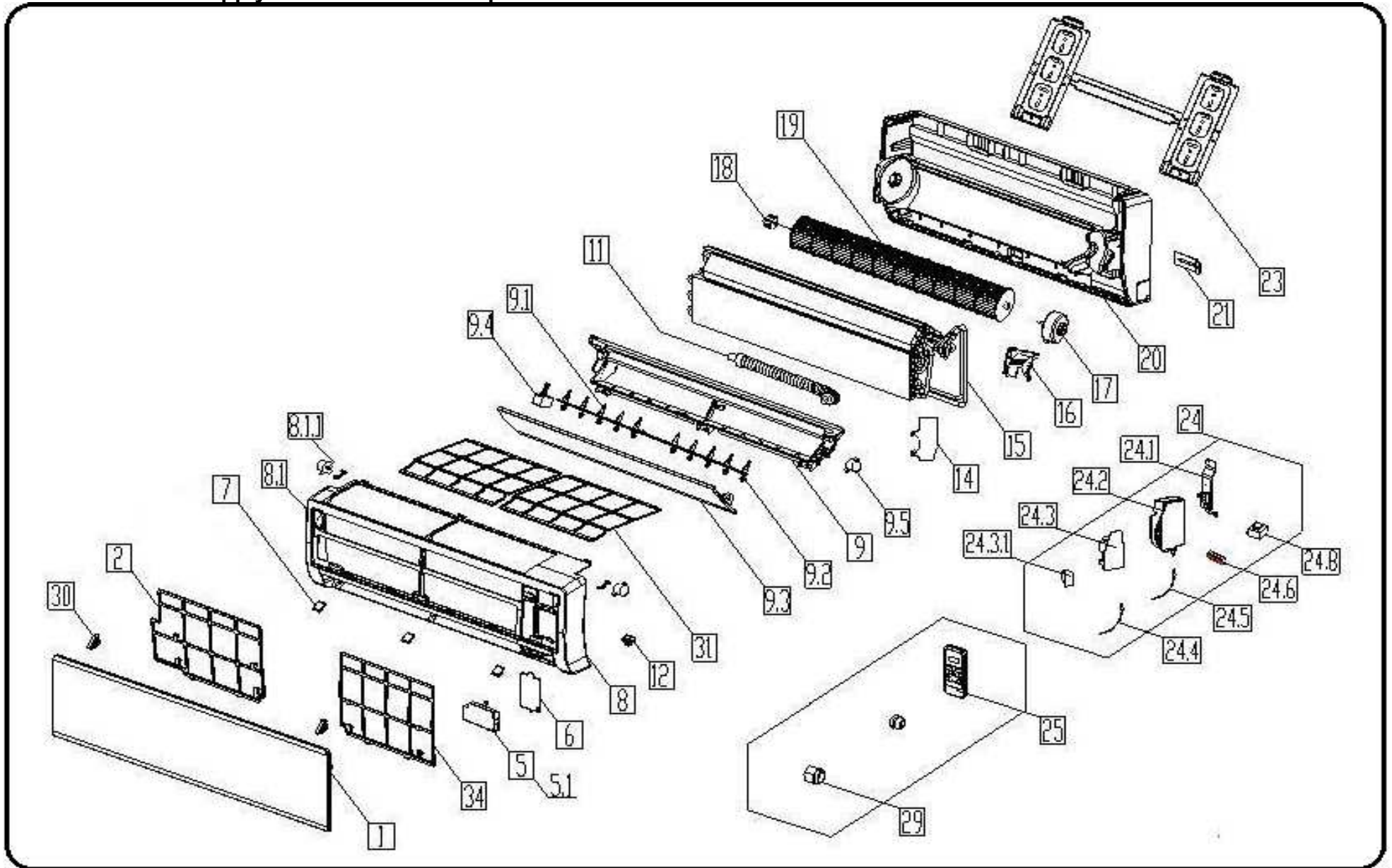


EXPLODED DIAGRAM - PARTS VIEW

Model: KWIM12-H2

Power Supply : 208-230V~ 60Hz 1ph



This information is to be used by qualify AC technicians only
Above information subject to revision without notice

KWIM12- Drawing No. D2MM16121301

DATE 13-01

KWIM12-H2 - SPARE PARTS LIST

Item No.	Part No.	Part Name	Specifications	Stock No.	Qty	Price	Remarks
1	201132590008	Panel assembly			1	\$ 150.77	
2	201132500013	Air filter(left)			1	\$ 3.07	
5	203332590183	Display box assembly			1	\$ 109.45	
5.1	201332590462	Display board assembly			1		
6	201132500012	Cover of indoor electronic control box			1	\$ 3.07	
7	201132500055	Screw cap			3	\$ 3.07	
8	201132501024	Panel frame assembly			1	\$ 145.75	
8.1	201132501131	Panel frame assembly			1	\$ 134.02	
8.1.1	202400200105	Louver motor			1	\$ 34.48	
9	201132590969	Air outlet assembly			1	\$ 91.86	
9.1	201132590031	Vertical vane			10	\$ 3.07	
9.2	201132500032	Louver holder			1	\$ 3.07	
9.2	201132500031	Louver holder			1	\$ 3.07	
9.3	201132500060	Horizontal louver			1	\$ 23.87	
9.4	202403000006	Ionizer generator			1	\$ 16.75	
9.5	202400200017	Louver motor			1	\$ 13.96	
11	201101020038	Drain hose			1	\$ 6.14	
12	201130490002	Baffle of temperature sensor			1	\$ 3.07	
14	201132500002	Waterproof board			1	\$ 3.07	
15	201532590004	Evaporator assembly			1	\$ 245.00	
16	201132500017	Fan motor cover			1	\$ 6.14	
17	202400300137	Asynchronous motor			1	\$ 91.86	
18	202730100201	Bearing base			1	\$ 3.07	
19	201100200106	Cross flow fan			1	\$ 45.09	
20	201132500007	Chassis assembly			1	\$ 70.70	
21	201232500001	Pipe clamp board			1	\$ 3.07	
23	201232590025	Installation plate			1	\$ 16.75	
24	203352090129	Electronic control box assembly			1	\$ 207.73	
24.1	201132500021	Cover of electronic control box			1	\$ 6.14	
24.2	201132500022	Electronic control box			1	\$ 29.18	

This information is to be used by qualify technicians only

KWIM12- Part list No. P2MM16121301

Above prices, numbers, specifications subject to revision without notice

Drawing No. D2MM16121301

Above prices are subject S & H charges

DATE 13-01

KWIM12-H2 - SPARE PARTS LIST

Item No.	Part No.	Part Name	Specifications	Stock No.	Qty	Price	Remarks
24	203352090129	Electronic control box assembly			1	\$ 207.73	
24.1	201132500021	Cover of electronic control box			1	\$ 6.14	
24.2	201132500022	Electronic control box			1	\$ 29.18	
24.3	201332590505	Main control board assembly			1	\$ 135.69	
24.3.1	202401200001	Fan motor capacitor			1	\$ 3.07	
24.4	202433190000	Indoor temperature sensor assembly			1	\$ 3.07	
24.5	202301300080	Pipe temperature sensor assembly			1	\$ 6.14	
24.6	202301400064	Wire joint			1	\$ 11.17	
24.8	202300900097	Transformer			1	\$ 45.09	
25	203355091200	Remote Controller			1	\$ 47.47	
29	201600330003	Nut			1	\$ 3.07	
29	201600330001	Nut			1	\$ 3.07	
30	201132500010	Hinge Slide groove			2	\$ 3.07	
31	201132500054	Air inlet grille assembly			1	\$ 34.48	
34	201132500011	Air filter(right)			1	\$ 3.07	

This information is to be used by qualify technicians only

KWIM12- Part list No. P2MM16121301

Above prices, numbers, specifications subject to revision without notice

Drawing No. D2MM16121301

Above prices are subject S & H charges

DATE 13-01