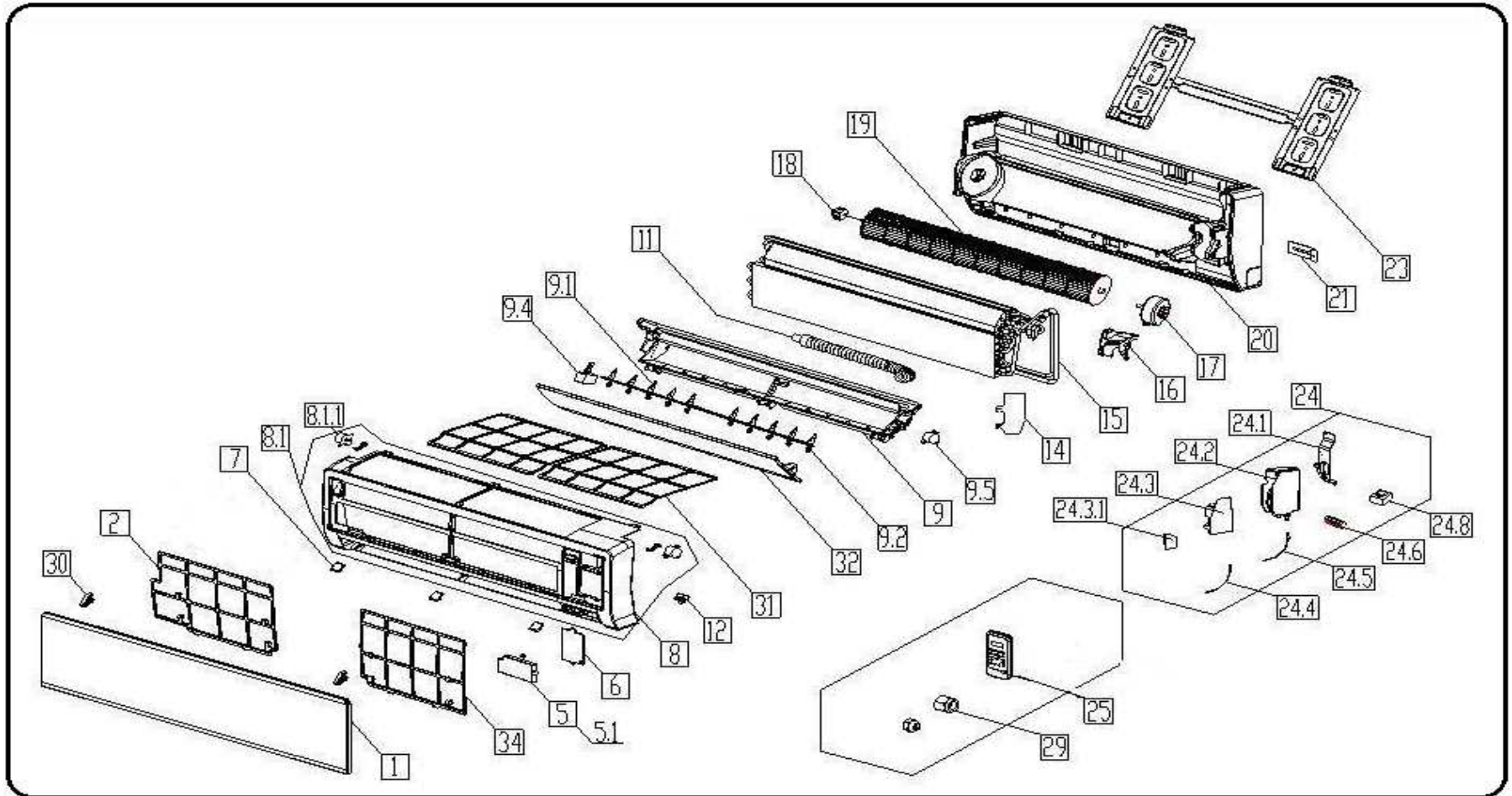


EXPLODED DIAGRAM - PARTS VIEW

Model : KWIM09-H2
Power Supply : 208-230V~ 60Hz 1Phase

M37A



This information is to be used by qualify AC technicians only
Above information subject to revision without notice

KWIM9- Drawing No. D2MM16091301

DATE 13-01

SPARE PART LIST

Item No.	Part No.	Part Name	Specifications	Stock No.	Qty	Price	Remarks
1	201132390011	Panel assembly		M37A0011	1	\$ 147.42	
2	201132300002	Air filter(left)		M37A0002	1	\$ 3.07	
5	203332590183	Display box assembly		M37A0183	1	\$ 109.45	
5.1	201332590462	Display board assembly		M37A0462	1	#N/A	
6	201132500012	Cover of indoor electronic control box		M37A0012	1	\$ 3.07	
7	201132300037	Screw cap		M37A0037	3	\$ 3.07	
8	201132300895	Panel frame assembly		M37A0895	1	\$ 142.40	
8.1	201132300026	Panel frame assembly		M37A0026	1	\$ 130.67	
8.1.1	202400200105	Louver motor		M37A0105	1	\$ 34.48	
9	201132390014	Air outlet assembly		M37A0014	1	\$ 95.77	
9.1	201132590031	Vertical vane		M37A0031	10	\$ 3.07	
9.2	201132500032	Louver holder		M37A0032	1	\$ 3.07	
9.2	201132500031	Louver holder		M37A0031	1	\$ 3.07	
9.4	202403000006	Ionizer generator		M37A0006	1	\$ 16.75	
9.5	202400200017	Louver motor		M37A0017	1	\$ 13.96	
11	201101020038	Drain hose		M37A0038	1	\$ 6.14	
12	201130490002	Baffle of temperature sensor		M37A0002	1	\$ 3.07	
14	201132500002	Waterproof board		M37A0002	1	\$ 3.07	
15	201532390167	Evaporator assembly		M37A0167	1	\$ 211.08	
16	201132500017	Fan motor cover		M37A0017	1	\$ 6.14	
17	202400300137	Asynchronous motor		M37A0137	1	\$ 91.86	
18	202730100201	Bearing base		M37A0201	1	\$ 3.07	
19	201100200100	Cross flow fan		M37A0100	1	\$ 73.57	
20	201132300974	Chassis assembly		M37A0974	1	\$ 75.94	
21	201232500001	Pipe clamp board		M37A0001	1	\$ 3.07	
23	201232590025	Installation plate		M37A0025	1	\$ 16.75	

This information is to be used by qualify technicians only

KWIM9- Part list No. P2MM16091301

Above prices, numbers, specifications subject to revision without notice

Drawing No. D11MI91301

Above prices are subject S & H charges

DATE 13-01

SPARE PART LIST

Item No.	Part No.	Part Name	Specifications	Stock No.	Qty	Price	Remarks
24	203352090128	Electronic control box assembly		M37A0128	1	\$ 206.05	
24.1	201132500021	Cover of electronic control box		M37A0021	1	\$ 6.14	
24.2	201132500022	Electronic control box		M37A0022	1	\$ 29.18	
24.3	201332390781	Main control board assembly		M37A0781	1	\$ 135.69	
24.3.1	202401200001	Fan motor capacitor		M37A0001	1	\$ 3.07	
24.4	202433190000	Indoor temperature sensor assembly		M37A0000	1	\$ 3.07	
24.5	202301300080	Pipe temperature sensor assembly		M37A0080	1	\$ 6.14	
24.6	202301400064	Wire joint		M37A0064	1	\$ 11.17	
24.8	202300900097	Transformer		M37A0097	1	\$ 45.09	
25	203355091200	Remote Controller		M37A1200	1	\$ 47.47	
29	201600320001	Nut		M37A0001	1	\$ 9.21	
29	201600320000	Nut		M37A0000	1	\$ 6.14	
30	201132300005	Hinge Slide groove		M37A0005	2	\$ 3.07	
31	201132300027	Air inlet grille assembly		M37A0027	1	\$ 26.52	
32	201132300033	Horizontal louver		M37A0033	1	\$ 47.47	
34	201132300001	Air filter(right)		M37A0001	1	\$ 3.07	

This information is to be used by qualify technicians only

KWIM9- Part list No. P2MM16091301

Above prices, numbers, specifications subject to revision without notice

Drawing No. D11M91301

Above prices are subject S & H charges

DATE 13-01