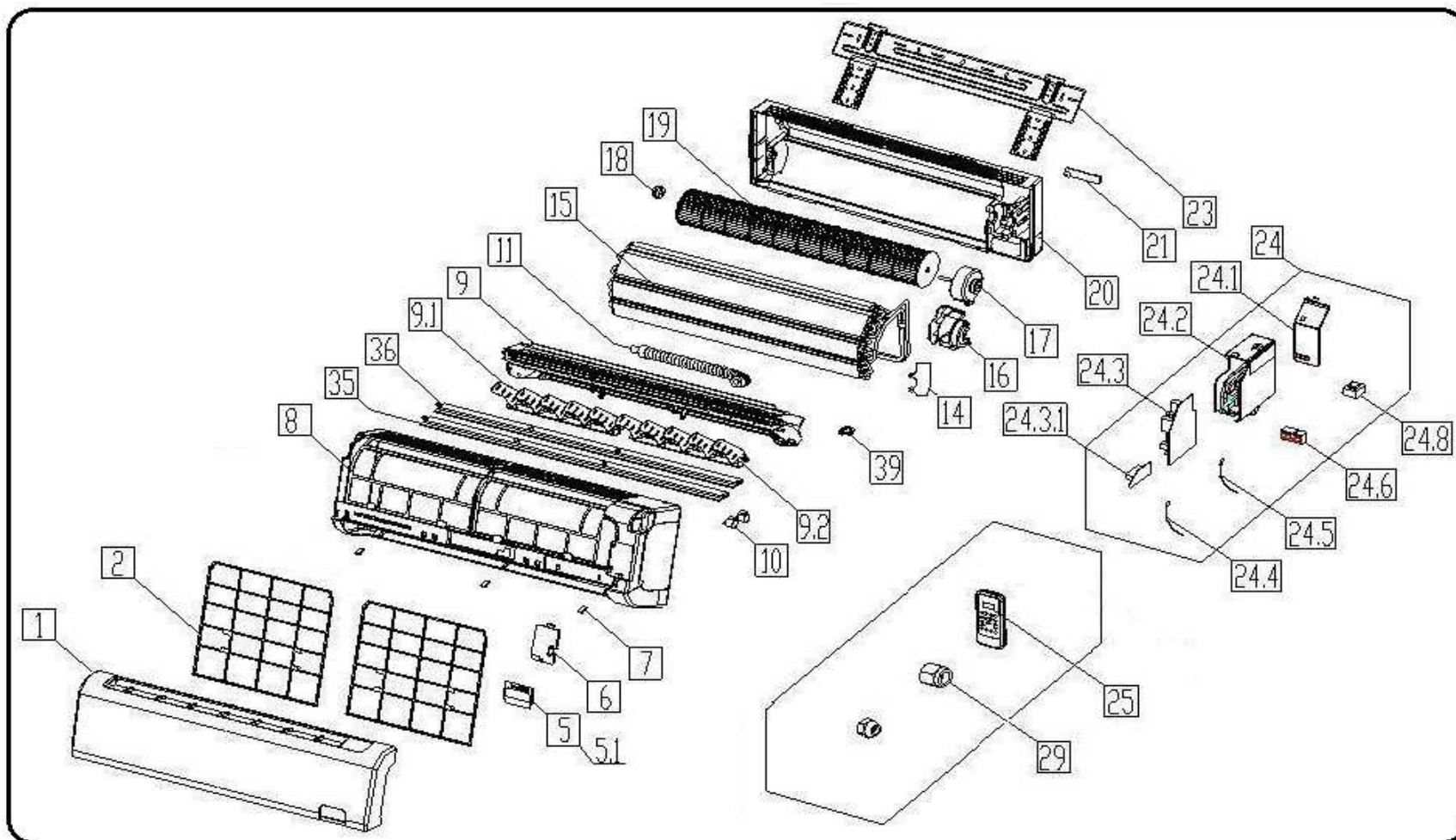


EXPLODED DIAGRAM - PARTS VIEW

Model : KWIL18-H2
Power Supply : 208-230V~ / 1ph / 60Hz

M42A



This information is to be used by qualify AC technicians only
Above information subject to revision without notice

KWIL18- Drawing No. D2ML16181301
DATE 13-01

KWIL18-H2 - SPARE PARTS LIST

No.	Part No.	Part Name	Specifications	Stock No.	Qty	Price	Remarks
1	201132890274	Panel assembly		M42A0274	1	\$ 54.58	
2	201132890269	Air filter		M42A0269	2	\$ 6.14	
5	203332890292	Display box assembly		M42A0292	1	\$ 66.45	
5.1	201332390804	Display board assembly		M42A0804	1	#N/A	
6	201132890658	Cover of indoor electronic control box		M42A0658	1	\$ 3.07	
7	201132890619	Screw cap		M42A0619	3	\$ 3.07	
8	201132890616	Panel frame assembly		M42A0616	1	\$ 66.45	
9	201132890273	Air outlet assembly		M42A0273	1	\$ 54.58	
9.1	201130290212	Vertical vane		M42A0212	12	\$ 3.07	
9.2	201130210066	Louver holder		M42A0066	3	\$ 3.07	
10	202400200120	Louver motor		M42A0120	1	\$ 16.75	
11	201101020038	Drain hose		M42A0038	1	\$ 6.14	
14	201130310350	Waterproof board		M42A0350	1	\$ 3.07	
15	201532790059	Evaporator assembly		M42A0059	1	\$ 261.34	
16	201132790128	Fan motor cover		M42A0128	1	\$ 6.14	
17	202400300419	Asynchronous motor		M42A0419	1	\$ 105.54	
18	202730100201	Bearing base		M42A0201	1	\$ 3.07	
19	201100200014	Cross flow fan		M42A0014	1	\$ 71.20	
20	201132790555	Chassis assembly		M42A0555	1	\$ 78.18	
21	201232800001	Pipe clamp board		M42A0001	1	\$ 3.07	
23	201232790008	Installation plate		M42A0008	1	\$ 13.96	
24	203352090183	Electronic control box assembly		M42A0183	1	#N/A	
24.1	201132800161	Cover of electronic control box		M42A0161	1	\$ 9.21	
24.2	201130210069	Electronic control box		M42A0069	1	\$ 29.18	
24.3	201352090271	Main control board assembly		M42A0271	1	#N/A	
24.3.1	202401200001	Fan motor capacitor		M42A0001	1	\$ 3.07	
24.4	202433190000	Indoor temperature sensor assembly		M42A0000	1	\$ 3.07	
24.5	202301300080	Pipe temperature sensor assembly		M42A0080	1	\$ 6.14	

This information is to be used by qualified HVAC technicians only and is subject to revision without notice

KWIL18-H2- Part list No. P2ML16181301

Above prices are subject S & H charges

DATE 13-01

KWIL18-H2 - SPARE PARTS LIST

No.	Part No.	Part Name	Specifications	Stock No.	Qty	Price	Remarks
24.6	202301400064	20re joint		M42A0064	1	\$ 11.17	
24.8	202300900573	Transformer		M42A0573	1	\$ 45.09	
25	203355091255	Remote Controller		M42A1255	1	\$ 34.48	
29	201600330001	Nut		M42A0001	1	\$ 3.07	
29	201600330003	Nut		M42A0003	1	\$ 3.07	
35	201132890617	Horizontal louver (above)		M42A0617	1	\$ 13.96	
36	201132890618	Horizontal louver (below)		M42A0618	1	\$ 11.17	
39	201102000305	Fix clamp of temperature sensor		M42A0305	1	\$ 3.07	

This information is to be used by qualified HVAC technicians only and is subject to revision without notice

KWIL18-H2- Part list No. P2ML16181301

Above prices are subject S & H charges

DATE 13-01