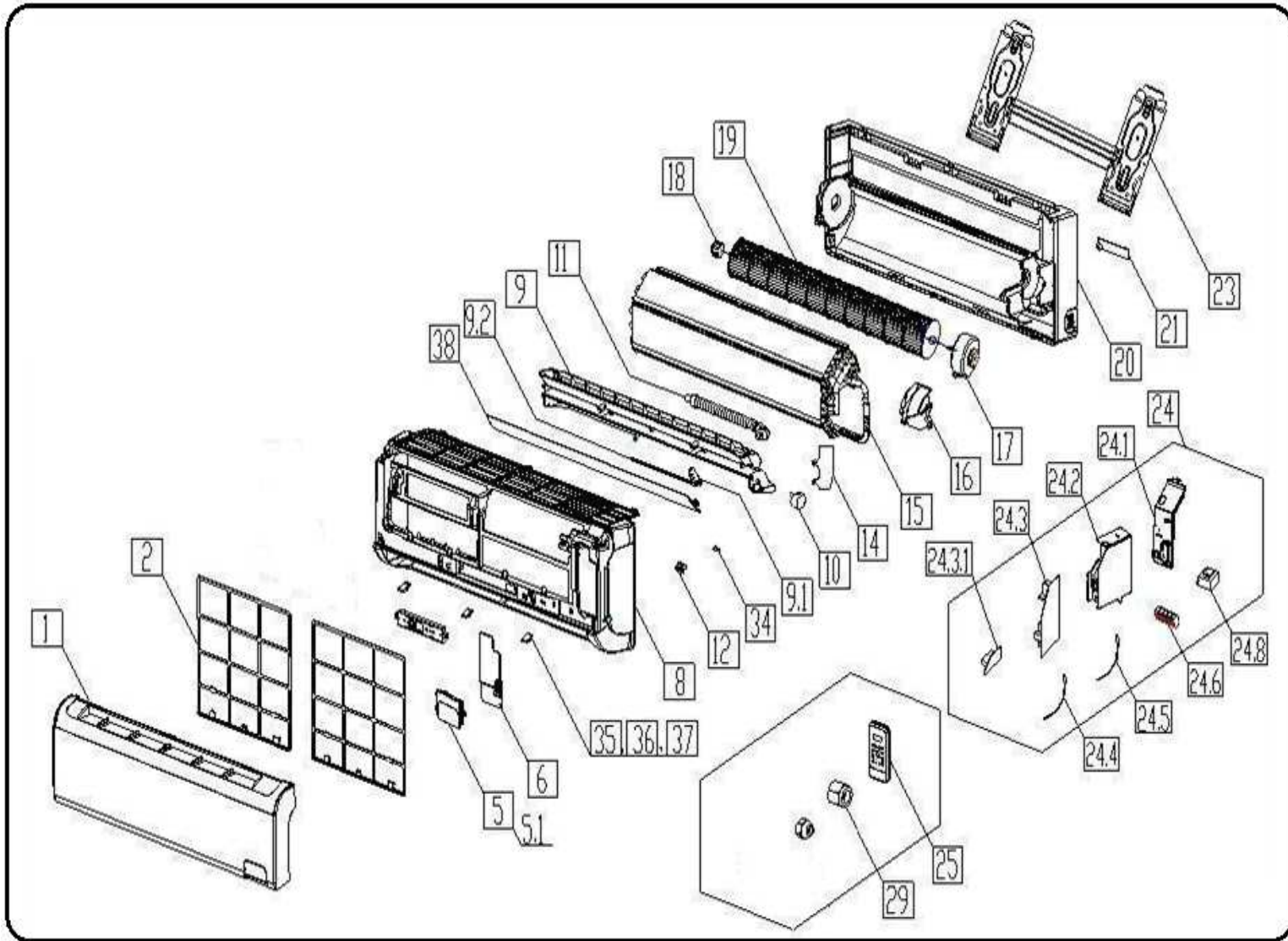


EXPLODED DIAGRAM - PARTS VIEW

Model : KWIL12-H2
Power Supply : 208-230V~ / 1ph / 60Hz

M41A



This information is to be used by qualify AC technicians only
Above information subject to revision without notice

KWIL12-H2- Drawing No. D2ML16121301

DATE 13-01

KWIL12-H2 - SPARE PARTS LIST

No.	Part No.	Part Name	Specifications	Stock No.	Qty	Price	Remarks
1	201132590464	Panel assembly		M41A0464	1	\$ 39.79	
2	201132590462	Air filter		M41A0462	2	\$ 3.07	
5	203332390661	Display box assembly		M41A0661	1	\$ 56.96	
5.1	201332390804	Display board assembly		M41A0804	1	#N/A	
6	201132590463	Cover of indoor electronic control box		M41A0463	1	\$ 3.07	
8	201132590918	Panel frame assembly		M41A0918	1	\$ 39.79	
9	201132590862	Air outlet assembly		M41A0862	1	\$ 42.72	
9.1	201132590445	Vertical vane		M41A0445	10	\$ 3.07	
9.2	201130410358	Louver holder		M41A0358	2	\$ 3.07	
10	202400200006	Louver motor		M41A0006	1	\$ 11.17	
11	201101020037	Drain hose		M41A0037	1	\$ 6.14	
14	201130310350	Waterproof board		M41A0350	1	\$ 3.07	
15	201532590397	Evaporator assembly		M41A0397	1	\$ 232.44	
16	201130490106	Fan motor cover		M41A0106	1	\$ 6.14	
17	202400300137	Asynchronous motor		M41A0137	1	\$ 91.86	
18	202730100201	Bearing base		M41A0201	1	\$ 3.07	
19	201100200039	Cross flow fan		M41A0039	1	\$ 42.72	
20	201132590919	Chassis assembly		M41A0919	1	\$ 64.08	
21	201130100204	Pipe clamp board		M41A0204	1	\$ 3.07	
23	201232490002	Installation plate		M41A0002	1	\$ 11.17	
24	203352090184	Electronic control box assembly		M41A0184	1	#N/A	
24.1	201130490184	Cover of electronic control box		M41A0184	1	\$ 6.14	
24.2	201130490108	Electronic control box		M41A0108	1	\$ 29.18	
24.3	201352090270	Main control board assembly		M41A0270	1	#N/A	
24.3.1	202401200001	Fan motor capacitor		M41A0001	1	\$ 3.07	
24.4	202433190000	Indoor temperature sensor assembly		M41A0000	1	\$ 3.07	

This information is to be used by qualified HVAC technicians only and is subject to revision without notice

KWIL12-H2- Part list No. P2ML16121301

Above prices are subject S & H charges

DATE 13-01

KWIL12-H2 - SPARE PARTS LIST

No.	Part No.	Part Name	Specifications	Stock No.	Qty	Price	Remarks
25	203355091255	Remote Controller		M41A1255	1	\$ 34.48	
29	201600330003	Nut		M41A0003	1	\$ 3.07	
29	201600330001	Nut		M41A0001	1	\$ 3.07	
34	201131390149	insulated axis		M41A0149	1	\$ 3.07	
35	201132590923	Screw cap		M41A0923	1	\$ 3.07	
36	201132590922	Screw cap		M41A0922	1	\$ 3.07	
37	201132590921	Screw cap		M41A0921	1	\$ 3.07	
38	201132590920	Horizontal louver		M41A0920	1	\$ 13.96	
39	201102000305	Fix clamp of temperature sensor		M41A0305	1	\$ 3.07	

This information is to be used by qualified HVAC technicians only and is subject to revision without notice

KWIL12- Part list No. P2ML16121301

Above prices are subject S & H charges

DATE 13-01