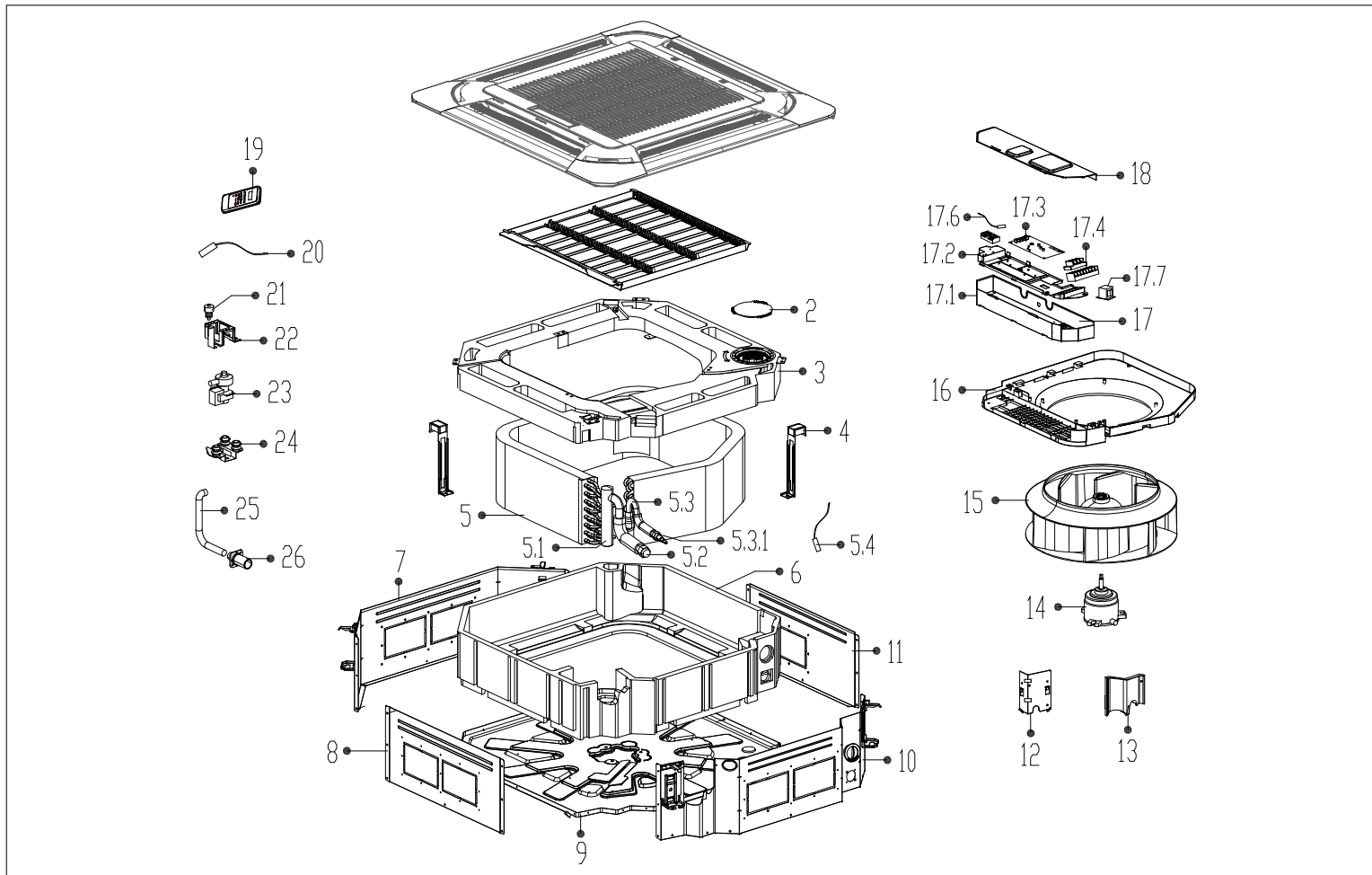


EXPLODED DIAGRAM - PARTS VIEW

Sale Model: KTIR036-H2G1 | 62225-23827815

Power Supply: 208-230V~ / 1ph / 60Hz



This information is to be used by qualified HVAC technicians only and is subject to revision without notice

KTIR036-H2G1 - Drawing No. D2TR1606

DATE 16-06

KTIR036-H2G1 - SPARE PARTS LIST

No.	Part Number	Part Name	Specifications	Stock No.	Qty.	Price	Remarks
2	1212250000025	Cover			1	\$0.66	
3	1282250000059	Foam tray assembly for condenser water			1	\$138.53	
4	1222250000089	Evaporator fixing hanger			2	\$2.09	
5	15822500A01823	Evaporator assembly			1	\$238.77	
5.1	15122500000232	Output pipe assembly			1	\$35.91	
5.3	15122500000346	Input pipe assembly			1	\$55.93	
5.3.1	15500406000010	Copper nut			1	\$3.63	
6	12822500000015	Base foam assembly			1	\$59.25	
7	12222500000156	Board assembly III			1	\$31.16	
8	12222500000139	Board assembly I			1	\$14.80	
9	12222500000113	Chassis assembly			1	\$72.24	
10	12222500000128	Board assembly II			1	\$30.69	
11	12222500000131	Board assembly IV			1	\$13.80	
12	12222500000105	Evaporator fixing board			1	\$3.96	
13	12122500000331	Pipe fixing board assembly			1	\$2.42	
14	11002015000281	Asynchronous motor			1	\$210.96	ZKFP-124-8-2
15	12100103000096	Fan assembly			1	\$120.19	
16	12122500000420	Ventilation assembly			1	\$44.46	
17	17222500000322	Electronic control box assembly			1	\$209.64	
17.1	12222500000119	Electronic control box			1	\$10.60	
17.2	12122500000029	Insulation plate			1	\$4.62	
17.3	17122500000697	Main control board assembly			1	\$163.02	
17.4	17400401000075	Wire joint			1	\$21.80	
17.6	11201007000283	Ambient temperature sensor assembly			1	\$3.41	

This information is to be used by qualified HVAC technicians only and is subject to revision without notice

KTIR036-H2G1 - Parts List No. P2TR1606

Above prices are subject to S&H charges

DATE 16-06

KTIR036-H2G1 - SPARE PARTS LIST

No.	Part Number	Part Name	Specifications	Stock No.	Qty.	Price	Remarks
17.7	17400306000070	Reactance			1	\$43.44	
18	12222500000162	Cover of electronic control box I			1	\$9.13	
19	17317000000418	Remote controller			1	\$32.59	RG52B/BGEU
20	11201007000136	Pipe temperature sensor			1	\$4.62	
20	11201007000266	Pipe temperature sensor			1	\$6.82	
21	11201005000006	Water level sensor assembly			1	\$13.70	
22	12122500001147	Water Pump installation bracket assembly			1	\$2.75	
23	17400802000012	Drain pump			1	\$69.79	
24	12622500000006	Pump rubber washer			3	\$0.88	
25	12622500000013	Drain pipe			1	\$12.70	
26	12100509000068	Water pipe			1	\$1.87	
30	12222500000066	Net			1	\$21.30	
36	12117000000089	Bracket of remote Controller			1	\$0.77	
41	12022500000002	Accessory kit			1	\$46.93	

This information is to be used by qualified HVAC technicians only and is subject to revision without notice

KTIR036-H2G1 - Parts List No. P2TR1606

Above prices are subject to S&H charges

DATE 16-06