

Specs - KTHN Series - Air Conditioner & Heat Pump

| Klimaïre Model Number | | | KTHN009E3H211-BC | KTHN012E3H211-BC | KTHN015E5H210-BC |
|------------------------------------|---------------------------|-------------|--------------------|--------------------|--------------------|
| MPN | | | KMWDUP-09AEN1-MK3 | KMWDUP-12AEN1-MJ5 | KMWDUP-15AEN1-MI6 |
| Power Supply | | V / ph / Hz | 208-230 / 1 / 60 | 208-230 / 1 / 60 | 208-230 / 1 / 60 |
| Cooling | Capacity | Btu/h | 8800/9000 | 11800/12000 | 14500/14700 |
| | Input | W | 778/796 | 1124/1142 | 1510/1531 |
| | Current | A | 3.46/3.75 | 4.97/5.4 | 6.66/7.26 |
| | EER | Btu/h/W | 11,3 | 10,5 | 9,6 |
| Heating (Heat pump) | Capacity | Btu/h | 8100/7900 | 10500/10800 | 13200/13500 |
| | Input | W | 699/716 | 963/990 | 1294/1323 |
| | Current | A | 3.04/3.28 | 4.3/4.63 | 5.74/6.2 |
| | COP | W/W | 3,4 | 3,2 | 3,0 |
| Heating (PTC) | Capacity | Btu/h | 11900/10700 | 11900/10700 | 17075/15360 |
| | Input | W | 2850/3519 | 2850/3519 | 2850/3519 |
| | Current | A | 13.7/15.3 | 13.7/15.3 | 21.7/24 |
| Heater | | kW | 3.5 | 3.5 | 5.0 |
| Starting current | | A | 18 | 25,9 | 39 |
| Indoor fan motor | FLA / Output | A / W | 0.155 / 21 | 0.155 / 21 | 0.155 / 21 |
| Outdoor fan motor | FLA / Output | A / W | 0.35 / 37 | 0.41 / 58 | 0.41 / 58 |
| Min. Circuit Ampacity | MCA | A | 20 | 20 | 20 |
| Compressor | Type | Type | ROTARY | ROTARY | ROTARY |
| | Capacity | Btu/h | 7745/7847.6 | 10714/10850 | 13648 |
| | Input | W | 770/785 | 1045/1050 | 1310 |
| | Rated current (RLA) | A | 3.5/3.75 | 4.55/5.0 | 6,35 |
| | Locked Rotor Amp (LRA) | A | 18 | 25,9 | 34,5 |
| | Capacitor | uF | 25 | 35 | 35 |
| Indoor Side Fan Motor | Input | W | 35,5 | 35,5 | 35,5 |
| | Capacitor | uF | 1 | 1 | 1 |
| | Speed (Hi/Mi/Lo) | rpm | 1110/1070/1040 | 1110/1070/1040 | 1110/1070/1040 |
| Outdoor Side Fan Motor | Input | W | 69 | 87 | 87 |
| | Capacitor | uF | 3 | 3 | 3 |
| | Speed (Hi) | rpm | 1400 | 1590 | 1590 |
| Evaporator | Number of Rows | n | 2 | 3 | 3 |
| | Number of Circuits | n | 2 | 3 | 4 |
| Indoor Side Air Flow (Hi/Mi/Lo) | | cfm | 435/418/394 | 435/424/412 | 424/406/394 |
| Indoor Side Noise Level (Hi/Mi/Lo) | | dB(A) | 50/48/46 | 53/50/45 | 53/50/45 |
| Condenser | Air flow | cfm | 435/417/394 | 435/423/411 | 423/405/394 |
| | Number of Rows | n | 2 | 3 | 3 |
| | Number of Circuits | n | 2 | 3 | 3 |
| Outdoor Side Noise Level (Hi) | | dB(A) | 61 | 66 | 66 |
| Refrigerant type | Type | oz | R410A / 24.7 | R410A / 31.4 | R410A / 37.0 |
| Design Pressure | | psig | 540/300 | 540/300 | 540/300 |
| Connection Wiring | | AWG | 12AWGx3 | 12AWGx3 | 12AWGx3 |
| Plug Type | | Type | LCDI 6-20P | LCDI 6-20P | LCDI 6-25P |
| Control Type | | Type | Electronic Control | Electronic Control | Electronic Control |
| Operation Temp | Indoor (Cooling/Heating) | °F | 62-90 / 32-80 | 62-90 / 32-80 | 62-90 / 32-80 |
| | Outdoor (Cooling/Heating) | °F | 64-109 / 23-76 | 64-109 / 23-76 | 64-109 / 23-76 |
| Application Area (Cooling EPA) | | sq. ft | 350-400 | 450-500 | 550-700 |
| Unit Dimensions (W*D*H) | | in | 42x21x16 | 42x21x16 | 42x21x16 |
| Net/Gross Weight | | lb | 106.9/132.3 | 117.9/143.3 | 120/145.5 |



Submittal Data Sheet

| | |
|---------------|--|
| Project Name: | |
| Location: | |
| Engineer: | |
| Submitted to: | |
| Submitted by: | |
| Reference: | |

| | |
|---------------|--|
| Approval: | |
| Date: | |
| Construction: | |
| Unit #: | |
| Drawing #: | |

| | |
|---------------------|-------------------|
| Sales Model No. | KTHN015E5H210-BC |
| Production Code No. | KMWDUP-15AEN1-MI6 |



PERFORMANCE DATA

| | | |
|--------------|---------|--------------|
| Power supply | V/ph/Hz | 208-230/1/60 |
|--------------|---------|--------------|

Cooling

| | | |
|----------|-------|-------------|
| Capacity | Btu/h | 14500/14700 |
| Input | W | 1510/1531 |
| Current | A | 6.66/7.26 |
| EER | Btu/W | 9.6 |

Heating (Heat pump)

| | | |
|----------|-------|-------------|
| Capacity | Btu/h | 13200/13500 |
| Input | W | 1294/1323 |
| Current | A | 5.74/6.2 |
| COP | W/W | 3 |

Heating (PTC)

| | | PTC |
|--------------------------|-------|------------|
| Capacity | Btu/h | 8900/10900 |
| Input | W | 2850/3519 |
| Current | A | 21.7/24 |
| Minimum Circuit Ampacity | A | 20 |

Compressor Electrical

| | | |
|----------------------------|-------|------------------|
| Model | | ASM135N1UEZ |
| Type | | ROTARY |
| Brand | | GMCC |
| Capacity | Btu/h | 13648 |
| Input | W | 1310 |
| Rated current(RLA) | A | 6.35 |
| Locked rotor Amp(LRA) | A | 34.5 |
| Thermal protector | | N/A |
| Thermal protector position | | N/A |
| Capacitor | uF | 35 |
| Refrigerant oil/oil charge | ml | SUNISO 4GSD. 350 |
| Connection wiring | | 12AWGx3 |
| Plug type | | LCDI 6-20P |
| Thermostat type | | |

SYSTEM DATA

| | | |
|-------------------------------------|----------------|--------------|
| Design pressure | psig | 300/540 |
| Refrigerant type | oz | R-410A/37.04 |
| Application area (Cooling EPA) | sq ft | 550-700 |
| Application area (Cooling Standard) | m ² | 20-29 |

UNIT DIMENSION

| | | |
|--|--------|--------------|
| Dimension(W*D*H) (without wall sleeve) | in | 42x21x16 |
| Packing (W*D*H) | in | 45x25.4x18.7 |
| Net/Gross weight | kg | 54.5/66 |
| | lb | 120/145.5 |
| Loading quantity 20' /40' /40'HQ | Pieces | 72/144/180 |

INDOOR SIDE DATA

| | | |
|------------------------------------|-------------------|----------------|
| Indoor side fan motor | | |
| Model | | YDK20-6BS |
| Brand | | Welling |
| Input | | 35.5 |
| FLA / OUTPUT | A / W | 0.155 / 21 |
| Capacitor | uF | 1 |
| Speed (Hi/Mi/Lo) | rpm | 1110/1070/1040 |
| Air flow & Noise level | | |
| Indoor side air flow (Hi/Mi/Lo) | m ³ /h | 720/690/670 |
| Indoor side air flow (Hi/Mi/Lo) | cfm | 423/405/394 |
| Ventilation (fresh air intake) | cfm | 65 |
| Dehumidification | pint/h | 4.3 |
| Indoor side noise level (Hi/Mi/Lo) | dB(A) | 53/50/45 |

OUTDOOR SIDE DATA

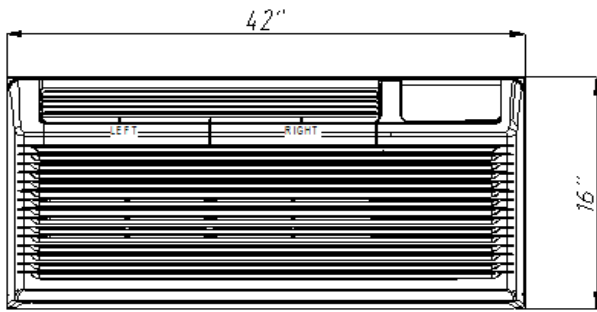
| | | |
|-----------------------------------|-------|-----------|
| Outdoor side fan motor | | |
| Model | | YDK40-4B |
| Brand | | Welling |
| Input | | 87 |
| FLA / OUTPUT | A / W | 0.41 / 58 |
| Capacitor | uF | 3 |
| Speed | rpm | 1590 |
| Air flow & Noise level | | |
| Outdoor side noise level | dB(A) | 66 |

Operation temperature

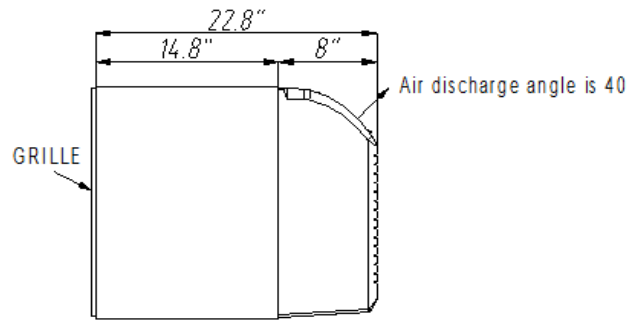
| | | |
|---------------------------|----|--------------|
| Indoor (cooling/ heating) | °C | 17-32/0-27 |
| | °F | 62-90/32-80 |
| Outdoor(cooling/heating) | °C | 18-43/-5-24 |
| | °F | 64-109/23-76 |



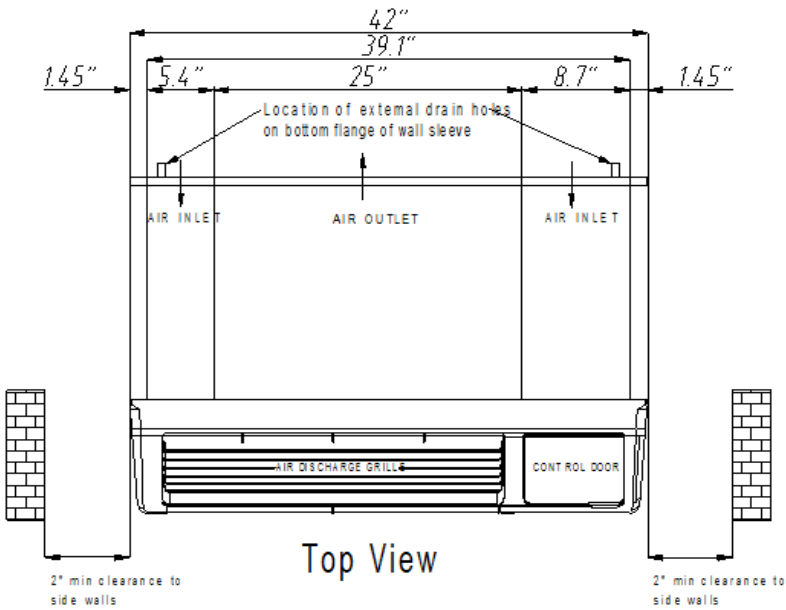
Packaged Terminal Heat Pump (PTHP)
KTHN Series
208-230V



Front View



Side View



Top View