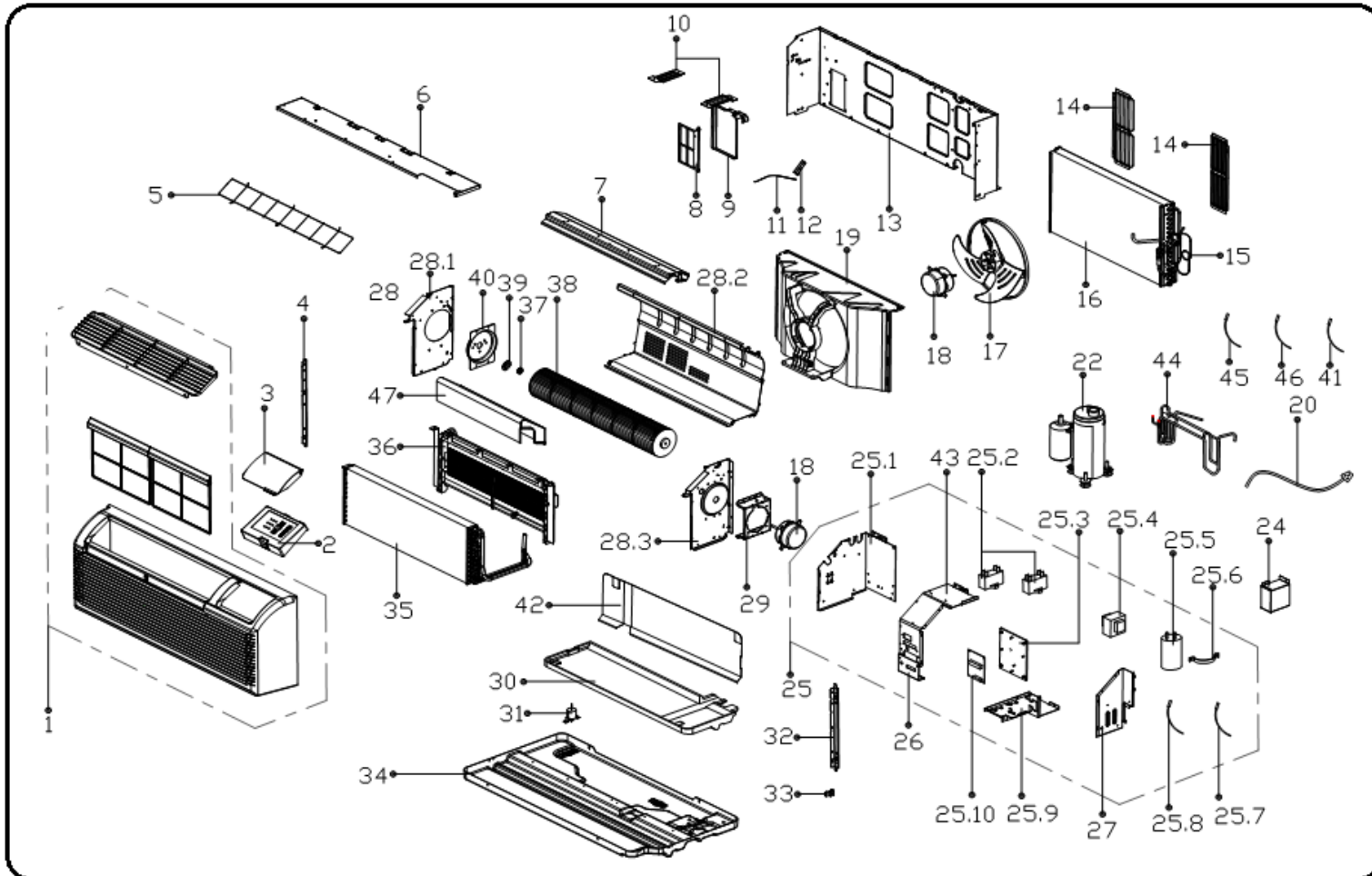


EXPLODED DIAGRAM - PARTS VIEW

Model: KTHN009E3H211-BC | 220021403600
Power Supply: 208-230V~ 60Hz 1Phase



This information is to be used by qualified HVAC technicians only and is subject to revision without notice

KTHN009E3H211-BC - Drawing No. D5HN1418

DATE 14-04

KTHN012E3H211-BC - SPARE PARTS LIST

No.	Part Number	Part Name	Specifications	Stock No.	Qty.	Price	Remark
1	201121890174	Panel frame assembly			1	\$139.58	
2	203321790300	Display box assembly			1	\$43.61	
3	2011217A0824	Cover of control panel			1	\$6.27	
4	201221790255	Fixing board(left)			1	\$3.85	
5	201221890087	Air filter			1	\$15.80	
6	201221790247	Front cover assembly			1	\$26.51	
7	201221890086	Volute shell assembly			1	\$21.40	
8	201121790309	Fresh air door filter			1	\$1.54	
9	201221790259	Fresh air door			1	\$4.62	
10	201221790236	Linker for front separating board			2	\$1.32	
11	201221790240	Wire, fresh air door			1	\$1.32	
12	201221790239	Connecting rod of fresh air door			1	\$0.44	
13	201221790246	Front separating board			1	\$71.49	
14	202921790001	Horizontal louver			2	\$8.91	
15	201621490373	Capillary assembly			1	\$37.62	
16	201521490087	Condenser assembly			1	\$196.80	
17	201100300049	Axial flow fan			1	\$32.97	ZL-335*102*8-3FN
18	202400401221	Asynchronous motor			1	\$97.44	YDK20-6BS
18	202400401220	Asynchronous motor			1	\$124.39	YDK30-4B
19	201121790307	Rear separating			1	\$53.38	
20	202402260318	Power cord			1	\$106.61	
22	201400611287	Compressor			1	\$261.72	ASN76N1VDZ1
24	201221790251	Wire box			1	\$5.72	
25	203321490166	Electronic control box assembly			1		

This information is to be used by qualified HVAC technicians only and is subject to revision without notice

KTHN009E3H211-BC - Parts List No. P5HN1418

Above prices are subject to S&H charges

DATE 14-05

KTHN012E3H211-BC - SPARE PARTS LIST

No.	Part Number	Part Name	Specifications	Stock No.	Qty.	Price	Remark
25.1	201221790252	Cover of electronic control box			1	\$16.60	
25.2	202401100353	Fan motor capacitor			1	\$5.50	3uF/450V
25.2	202401100004	Fan motor capacitor			1	\$2.42	1uF/450V
25.3	201121790312	Bracket of main control board I			1	\$4.29	
25.4	202300900727	Transformer			1	\$44.46	TT2-G95-1F
25.5	202401010213	Capacitor of compressor			1	\$22.50	20uF/450V-45-P2(2000h)
25.6	201200100005	Capacitor clip			1	\$0.44	
25.7	202440220061	Ambient temperature sensor assembly			1	\$4.07	
25.8	202301300469	Pipe temperature sensor assembly			1	\$4.84	
25.9	201221790249	Electronic control box			1	\$7.26	
25.10	201321790144	Main control board assembly			1		
26	201221790289	Cover of electronic control box			1	\$2.42	
27	201221790250	Cover of electronic control box			1	\$8.03	
28	201221890085	Supporter of air passage			1	\$65.54	
28.1	201221790241	Supporter of air passage			1	\$16.50	
28.2	P0001397384	Volute shell			1		
28.3	201221790242	Supporter of air passage			1	\$16.80	
29	201221790245	Supporter assembly of fan motor			1	\$8.25	
30	202221790021	Water collector			1	\$8.58	
31	202301610702	Drain valve			1	\$27.17	
32	201221790256	Fixing board (right)			1	\$3.85	
33	201221790248	Hook of Panel			2	\$0.88	
34	201221790237	Chassis assembly			1	\$127.82	
35	201521490085	Evaporator coil assembly			1	\$178.20	

This information is to be used by qualified HVAC technicians only and is subject to revision without notice

KTHN009E3H211-BC - Parts List No. P5HN1418

Above prices are subject to S&H charges

DATE 14-05

KTHN012E3H211-BC - SPARE PARTS LIST

No.	Part Number	Part Name	Specifications	Stock No.	Qty.	Price	Remark
36	202403101822	Electric heater			1		
37	202732390001	Bearing bracket			1	\$1.10	
38	201100200047	Cross flow fan			1	\$136.15	GL-120*706-NX
39	201221790244	Cover of Bearing bracket			1	\$1.10	
40	201221790243	Wind baffle board			1	\$6.05	
41	202301310068	Discharge temperature sensor assembly			2	\$7.81	
42	202921790002	Protection board for Water collector			1	\$18.40	
43	201221790254	Cover of electronic control box			1	\$11.10	
44	201621290239	4-ways valve assembly			1		
45	202301300086	Ambient temperature sensor assembly			1	\$3.74	
46	202301300079	Pipe temperature sensor assembly			1	\$5.61	
47	201221790264	Protection board			1	\$0.00	

This information is to be used by qualified HVAC technicians only and is subject to revision without notice

KTHN009E3H211-BC - Parts List No. P5HN1418

Above prices are subject to S&H charges

DATE 14-05