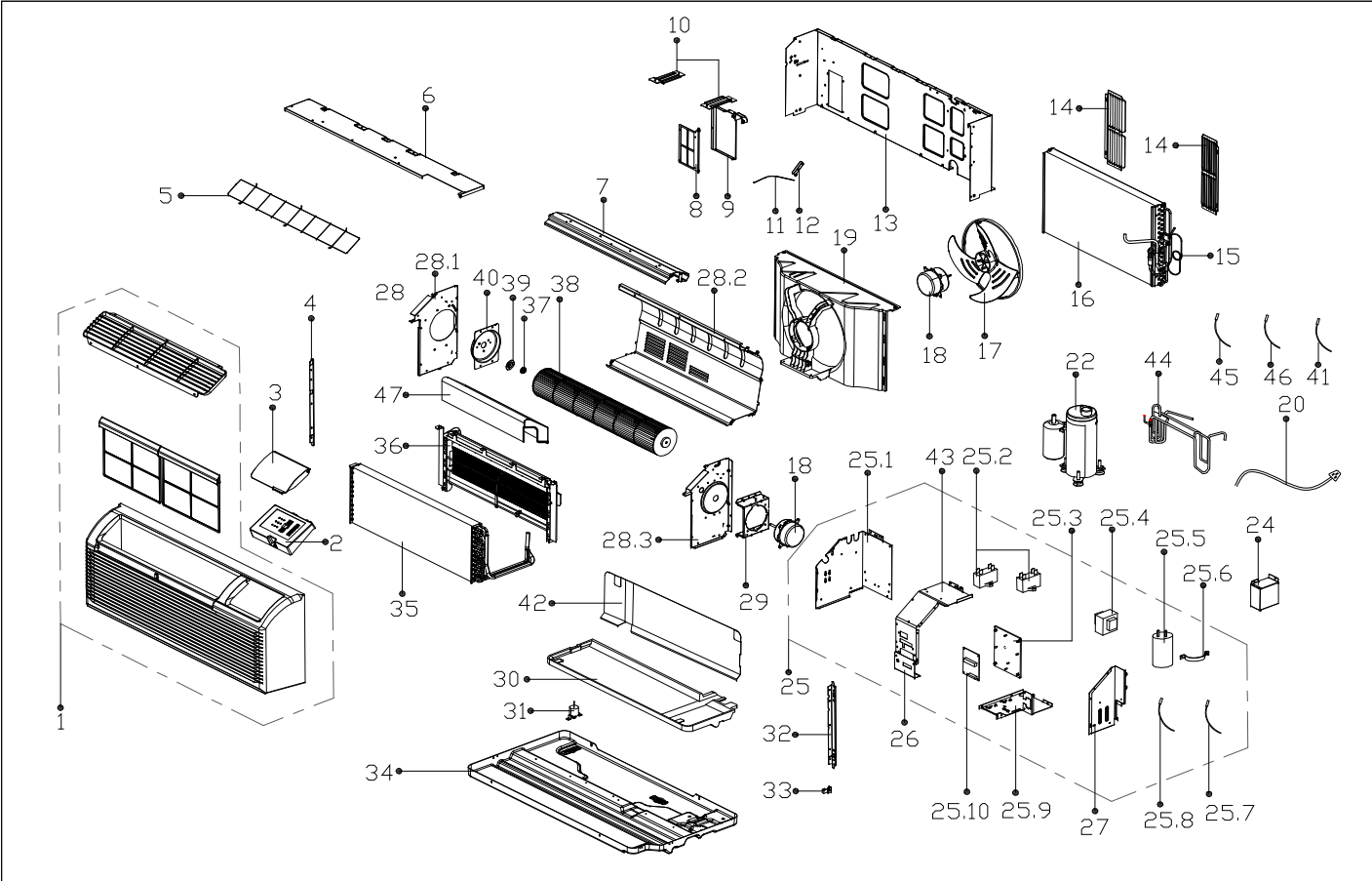


EXPLODED DIAGRAM - PARTS VIEW

Sales Model: KTHN009E3H211 | 62203-13835801

Power Supply: 208-230V~ / 1ph / 60Hz



This information is to be used by qualified HVAC technicians only and is subject to revision without notice

KTHN009E3H211-BC - Drawing No. D6HM1615

DATE 16-05

KTHN009E3H211-BC - SPARE PARTS LIST

No.	Part Number	Part Name	Specifications	Stock No.	Qty.	Price	Remarks
1	12120300000261	Panel frame assembly			1	\$125.76	
2	17220300A02496	Display box assembly			1	\$58.06	
3	12120300A11036	Cover of control panel			1	\$8.58	
4	12220300000534	Fixing board(left)			1	\$3.74	
5	12220300000533	Air filter			1	\$18.40	
6	12220300000522	Front cover assembly			1	\$26.13	
7	12220300000518	Volute shell assembly			1	\$21.70	
8	12120300001288	Fresh air door filter			1	\$1.54	
9	12220300000262	Fresh air door			1	\$4.62	
10	12220300000566	Linker for front separating board			2	\$1.32	
11	12220300000844	Wire, fresh air door			1	\$1.54	
12	12220300000312	Connecting rod of fresh air door			1	\$0.44	
13	12220300000128	Front separating board			1	\$68.85	
14	12220300000517	Horizontal louver			2	\$10.34	
15	15120300001460	Capillary assembly			1	\$36.48	
16	15820300000575	Condenser assembly			1	\$187.14	
17	12100105000064	Axial flow fan			1	\$35.25	
18	11002012000822	Asynchronous motor			1	\$94.08	YKT-21-6-8
18	11002012001435	Asynchronous motor			1	\$123.48	YKT-37-4-5
19	12120300000552	Rear separating			1	\$54.15	
20	17401202000107	Power cord			1	\$103.39	
22	11103010000462	Compressor			1	\$261.72	ASN76N1VDZ1
24	12220300000277	Wire box			1	\$5.72	

This information is to be used by qualified HVAC technicians only and is subject to revision without notice

KTHN009E3H211-BC - Parts List No. P6HN1615

Above prices are subject to S&H charges

DATE 16-05

KTHN009E3H211-BC - SPARE PARTS LIST

No.	Part Number	Part Name	Specifications	Stock No.	Qty.	Price	Remarks
25	17220300A02494	Electronic control box assembly			1	\$191.88	
25.1	12220300000278	Cover of electronic control box			1	\$16.40	
25.2	17400101000009	Fan motor capacitor			1	\$8.58	3uF/450V(2000h)
25.2	17400101000078	Fan motor capacitor			1	\$12.80	1UF/450V-P2
25.4	11203103000087	Transformer			1	\$53.21	
25.5	17400103000007	Capacitor of compressor			1	\$24.00	20UF/450V-45-P2(2000h)
25.6	12200203000019	Capacitor clip			1	\$0.22	
25.7	11201007000060	Ambient temperature sensor assembly			1	\$4.73	
25.8	11201007000124	Pipe temperature sensor assembly			1	\$5.28	
25.9	12220300000274	Electronic control box			1	\$7.26	
25.1	17120300A00617	Main control board assembly			1	\$118.58	
27	12220300000303	Cover of electronic control box			1	\$7.92	
28	12220300000513	Supporter of air passage			1	\$63.67	
29	12220300000449	Supporter assembly of fan motor			1	\$7.81	
30	12820300000028	Water collector			1	\$8.03	
31	17400510000003	Drain valve			1	\$31.54	
32	12220300000537	Fixing board (right)			1	\$3.74	
33	12220300000560	Hook of Panel			2	\$0.88	
34	12220300000404	Chassis assembly			1	\$128.59	
35	15820300000088	Evaporator coil assembly			1	\$156.12	
36	17402006000013	Electric heater			1	\$190.80	
37	12622000000012	Bearing bracket			1	\$1.21	
38	12100102000055	Cross flow fan			1	\$131.46	

This information is to be used by qualified HVAC technicians only and is subject to revision without notice

KTHN009E3H211-BC - Parts List No. P6HN1615

Above prices are subject to S&H charges

DATE 16-05

KTHN009E3H211-BC - SPARE PARTS LIST

No.	Part Number	Part Name	Specifications	Stock No.	Qty.	Price	Remarks
39	12220300000557	Cover of Bearing bracket			1	\$1.10	
40	12220300000514	Wind baffle board			1	\$5.50	
41	11201007000157	Discharge temperature sensor assembly			2	\$8.80	
42	12920300000002	Protection board for Water collector			1	\$21.40	
44	15420300000069	4-ways valve assembly			1	\$89.88	
45	11201007000067	Ambient temperature sensor assembly			1	\$4.40	
46	11201007000196	Pipe temperature sensor assembly			1	\$6.16	
47	12220300000540	Protection board			1	\$5.28	

This information is to be used by qualified HVAC technicians only and is subject to revision without notice

KTHN009E3H211-BC - Parts List No. P6HN1615

Above prices are subject to S&H charges

DATE 16-05