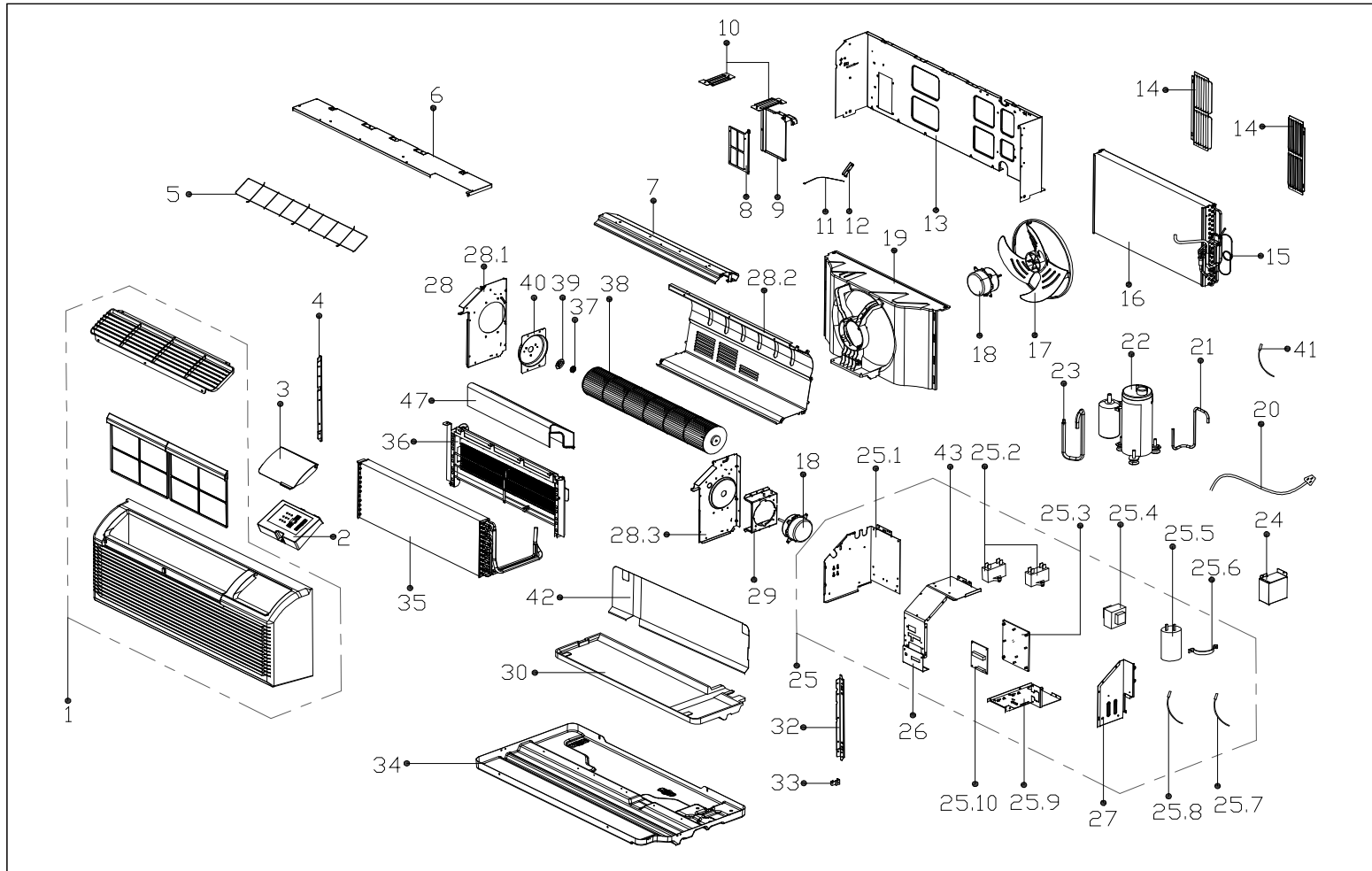


EXPLODED DIAGRAM - PARTS VIEW

Sales Model: KTHN009E3C211-BC | 62203-14816601

Power Supply: 208-230V~ / 1ph / 60Hz



This information is to be used by qualified HVAC technicians only and is subject to revision without notice

KTHN009E3C211-BC - Drawing No. D6HM1614

DATE 16-05

KTHN009E3C211-BC - SPARE PARTS LIST

| No. | Part Number | Part Name | Specifications | Stock No. | Qty. | Price | Remarks |
|-----|----------------|-----------------------------------|----------------|-----------|------|----------|-------------|
| 1 | 12120300000261 | Panel frame assembly | | | 1 | \$125.76 | |
| 2 | 17220300A02496 | Display box assembly | | | 1 | \$58.06 | |
| 3 | 12120300A11036 | Cover of control panel | | | 1 | \$8.58 | |
| 4 | 12220300000534 | Fixing board (left) | | | 1 | \$3.74 | |
| 5 | 12220300000533 | Air filter | | | 1 | \$18.40 | |
| 6 | 12220300000522 | Front cover assembly | | | 1 | \$26.13 | |
| 7 | 12220300000518 | Volute shell assembly | | | 1 | \$21.70 | |
| 8 | 12120300001288 | Fresh air door filter | | | 1 | \$1.54 | |
| 9 | 12220300000262 | Fresh air door | | | 1 | \$4.62 | |
| 10 | 12220300000566 | Linker for front separating board | | | 2 | \$1.32 | |
| 11 | 12220300000844 | Wire, fresh air door | | | 1 | \$1.54 | |
| 12 | 12220300000312 | Connecting rod of fresh air door | | | 1 | \$0.44 | |
| 13 | 12220300000128 | Front separating board | | | 1 | \$68.85 | |
| 14 | 12220300000517 | Horizontal louver | | | 2 | \$10.34 | |
| 15 | 15120300001603 | Capillary assembly | | | 1 | \$25.18 | |
| 16 | 15820300000654 | Condenser assembly | | | 1 | \$130.56 | |
| 17 | 12100105000064 | Axial flow fan | | | 1 | \$35.25 | |
| 18 | 11002012000822 | Asynchronous motor | | | 1 | \$94.08 | YKT-21-6-8 |
| 18 | 11002012001435 | Asynchronous motor | | | 1 | \$123.48 | YKT-37-4-5 |
| 19 | 12120300000552 | Rear separating | | | 1 | \$54.15 | |
| 20 | 17401202000107 | Power cord | | | 1 | \$103.39 | |
| 21 | 15120300001083 | Discharge pipe | | | 1 | \$10.67 | |
| 22 | 11103010000462 | Compressor | | | 1 | \$261.72 | ASN76N1VDZ1 |
| 23 | 15120300001403 | Suction pipe assembly | | | 1 | \$14.40 | |

This information is to be used by qualified HVAC technicians only and is subject to revision without notice

KTHN009E3C211-BC - Parts List No. P6HN1614

Above prices are subject to S&H charges

DATE 16-05

KTHN009E3C211-BC - SPARE PARTS LIST

| No. | Part Number | Part Name | Specifications | Stock No. | Qty. | Price | Remarks |
|------|----------------|-------------------------------------|----------------|-----------|------|----------|------------------------|
| 24 | 12220300000277 | Wire box | | | 1 | \$5.72 | |
| 25 | 17220300A02499 | Electronic control box assembly | | | 1 | \$187.68 | |
| 25.1 | 12220300000278 | Cover of electronic control box | | | 1 | \$16.40 | |
| 25.2 | 17400101000009 | Fan motor capacitor | | | 1 | \$8.58 | 3uF/450V(2000h) |
| 25.2 | 17400101000078 | Fan motor capacitor | | | 1 | \$12.80 | 1UF/450V-P2 |
| 25.4 | 11203103000087 | Transformer | | | 1 | \$53.21 | TT220-EI48-24/80-F1 |
| 25.5 | 17400103000007 | Capacitor of compressor | | | 1 | \$24.00 | 20UF/450V-45-P2(2000h) |
| 25.6 | 12200203000019 | Capacitor clip | | | 1 | \$0.22 | |
| 25.7 | 11201007000060 | Ambient temperature sensor assembly | | | 1 | \$4.73 | |
| 25.8 | 11201007000124 | Pipe temperature sensor assembly | | | 1 | \$5.28 | |
| 25.9 | 12220300000274 | Electronic control box | | | 1 | \$7.26 | |
| 25.1 | 17120300A00618 | Main control board assembly | | | 1 | \$113.68 | |
| 27 | 12220300000303 | Cover of electronic control box | | | 1 | \$7.92 | |
| 28 | 12220300000513 | Supporter of air passage | | | 1 | \$63.67 | |
| 29 | 12220300000449 | Supporter assembly of fan motor | | | 1 | \$7.81 | |
| 30 | 12820300000028 | Water collector | | | 1 | \$8.03 | |
| 32 | 12220300000537 | Fixing board (right) | | | 1 | \$3.74 | |
| 33 | 12220300000560 | Hook of Panel | | | 2 | \$0.88 | |
| 34 | 12220300000430 | Chassis assembly | | | 1 | \$128.59 | |
| 35 | 15820300000088 | Evaporator coil assembly | | | 1 | \$156.12 | |
| 36 | 17402006000013 | Electric heater | | | 1 | \$190.80 | |
| 37 | 12622000000012 | Bearing bracket | | | 1 | \$1.21 | |
| 38 | 12100102000055 | Cross flow fan | | | 1 | \$131.46 | |
| 39 | 12220300000557 | Cover of Bearing bracket | | | 1 | \$1.10 | |

This information is to be used by qualified HVAC technicians only and is subject to revision without notice

KTHN009E3C211-BC - Parts List No. P6HN1614

Above prices are subject to S&H charges

DATE 16-05

KTHN009E3C211-BC - SPARE PARTS LIST

| No. | Part Number | Part Name | Specifications | Stock No. | Qty. | Price | Remarks |
|-----|----------------|---------------------------------------|----------------|-----------|------|---------|---------|
| 40 | 12220300000514 | Wind baffle board | | | 1 | \$5.50 | |
| 41 | 11201007000157 | Discharge temperature sensor assembly | | | 2 | \$8.80 | |
| 42 | 12920300000002 | Protection board for Water collector | | | 1 | \$21.40 | |
| 47 | 12220300000540 | Protection board | | | 1 | \$5.28 | |

This information is to be used by qualified HVAC technicians only and is subject to revision without notice

KTHN009E3C211-BC - Parts List No. P6HN1614

Above prices are subject to S&H charges

DATE 16-05