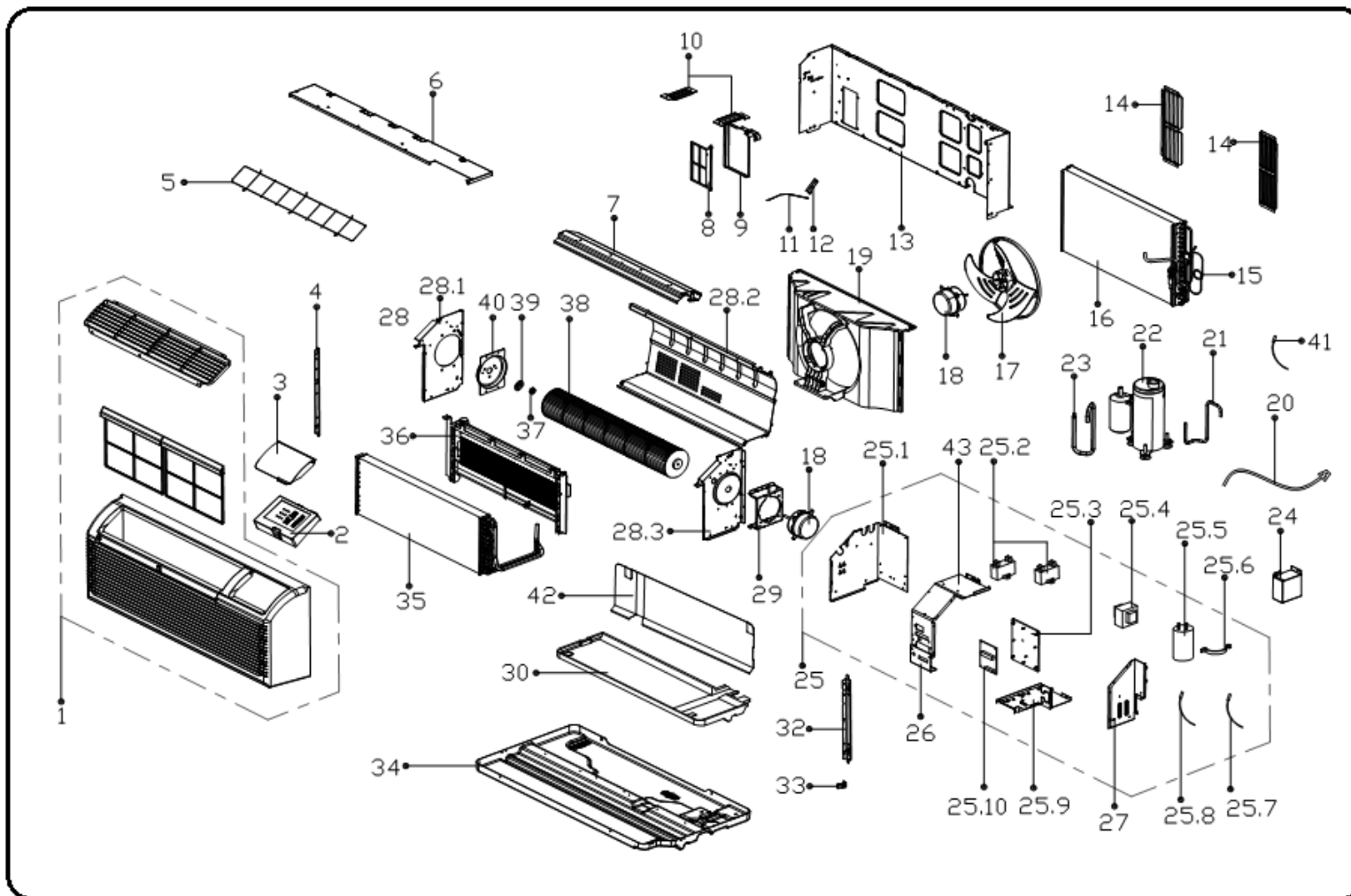


EXPLODED DIAGRAM - PARTS VIEW

Model: KTHM007-E3C2-BM

Power Supply: 208-230V~ 60Hz 1ph



KTHM007-E3C2-BM - Drawing No. D5HM1403

This information is to be used by qualified HVAC technicians only and is subject to revision without notice

DATE 14-03

KTHM007-E3C2-M - SPARE PARTS LIST

No.	Part No.	Part Name	Specifications	Stock No.	Qty.	Price	Remarks
1	201121890174	Panel frame assembly			1	\$179.46	
2	203321790300	Display box assembly			1	\$58.52	
3	2011217A0824	Cover of control panel			1	\$11.00	
4	201221790255	Fixing board(left)			1	\$5.78	
5	201221890087	Air filter			1	\$14.22	
6	201221790247	Front cover assembly			1	\$39.76	
7	201221890086	Volute shell assembly			1	\$30.50	
8	201121790309	Fresh air door filter			1	\$2.31	
9	201221790259	Fresh air door			1	\$6.93	
10	201221790236	Linker for front separating board			2	\$1.98	
11	201221790240	Wire, fresh air door			1	\$1.98	
12	201221790239	Connecting rod of fresh air door			1	\$0.66	
13	201221790246	Front separating board			1	\$88.31	
14	202921790001	Horizontal louver			2	\$12.15	
15	201621290182	Capillary assembly			1	\$35.06	
16	201521490083	Condenser assembly			1	\$221.40	
17	201100300049	Axial flow fan			1	\$44.24	
18	202400401220	Asynchronous motor			1	\$159.93	YDK30-4B
18	202400401221	Asynchronous motor			1	\$125.28	YDK20-6BS
19	201121790307	Rear separating			1	\$80.07	
20	202419990025	Power cord			1	\$140.00	20A
21	201621290211	Discharge pipe			1	\$13.95	
22	201400603021	Compressor			1	\$388.08	PA58G0C-3DZD
23	201621490369	Suction pipe assembly			1	\$35.48	
24	201221790251	Wire box			1	\$8.58	
25	2033212A0175	Electronic control box assembly			1	\$202.50	
25.1	201221790252	Cover of electronic control box			1	\$23.66	
25.2	202401100353	Fan motor capacitor			1	\$8.25	3uF/450V
25.2	202401100004	Fan motor capacitor			1	\$3.63	1uF/450V
25.4	201121790312	Bracket of main control board I			1	\$6.44	

This information is to be used by qualified HVAC technicians only and is subject to revision without notice

KTHM007-E3C2-BM - Parts List No. P5HM1403

Above prices are subject to S&H charges

DATE 14-03

KTHM007-E3C2-M - SPARE PARTS LIST

No.	Part No.	Part No.	Specifications	Stock No.	Qty.	Price	Remarks
25.5	202300900727	Transformer			1	\$66.68	
25.6	202401000303	Capacitor of compressor			1	\$24.80	20uF/450V-45-P2
25.7	201200100005	Capacitor clip			1	\$0.66	
25.8	202440220061	Ambient temperature sensor assembly			1	\$6.11	
25.9	202301300469	Pipe temperature sensor assembly			1	\$7.26	
25.1	201221790249	Electronic control box			1	\$10.89	
25.1	201321790145	Main control board assembly			1	\$150.00	
26	201221790289	Cover of electronic control box			1	\$3.63	
27	201221790250	Cover of electronic control box			1	\$10.95	
28	201221890085	Supporter of air passage			1	\$80.96	
28.1	201221790241	Supporter of air passage			1	\$23.51	
28.2	P0001397384	Volute shell			1	—	
28.3	201221790242	Supporter of air passage			1	\$23.94	
29	201221790245	Supporter assembly of fan motor			1	\$11.25	
30	202221790021	Water collector			1	\$11.70	
32	201221790256	Fixing board (right)			1	\$5.78	
33	201221790248	Hook of Panel			2	\$1.32	
34	201221790260	Chassis assembly			1	\$163.26	
35	201521490085	Evaporator coil assembly			1	\$200.48	
36	202403100888	Electric heater			1	\$202.50	3.5KW
37	202732390001	Bearing bracket			1	\$1.65	
38	201100200047	Cross flow fan			1	\$175.05	
39	201221790244	Cover of Bearing bracket			1	\$1.65	
40	201221790243	Wind baffle board			1	\$9.08	
41	202301310068	Discharge temperature sensor assembly			2	\$10.65	
42	202921790002	Protection board for Water collector			1	\$26.22	
43	201221790254	Cover of electronic control box			1	\$16.65	

This information is to be used by qualified HVAC technicians only and is subject to revision without notice

KTHM007-E3C2-BM - Parts List No. P5HM1403

Above prices are subject to S&H charges

DATE 14-03