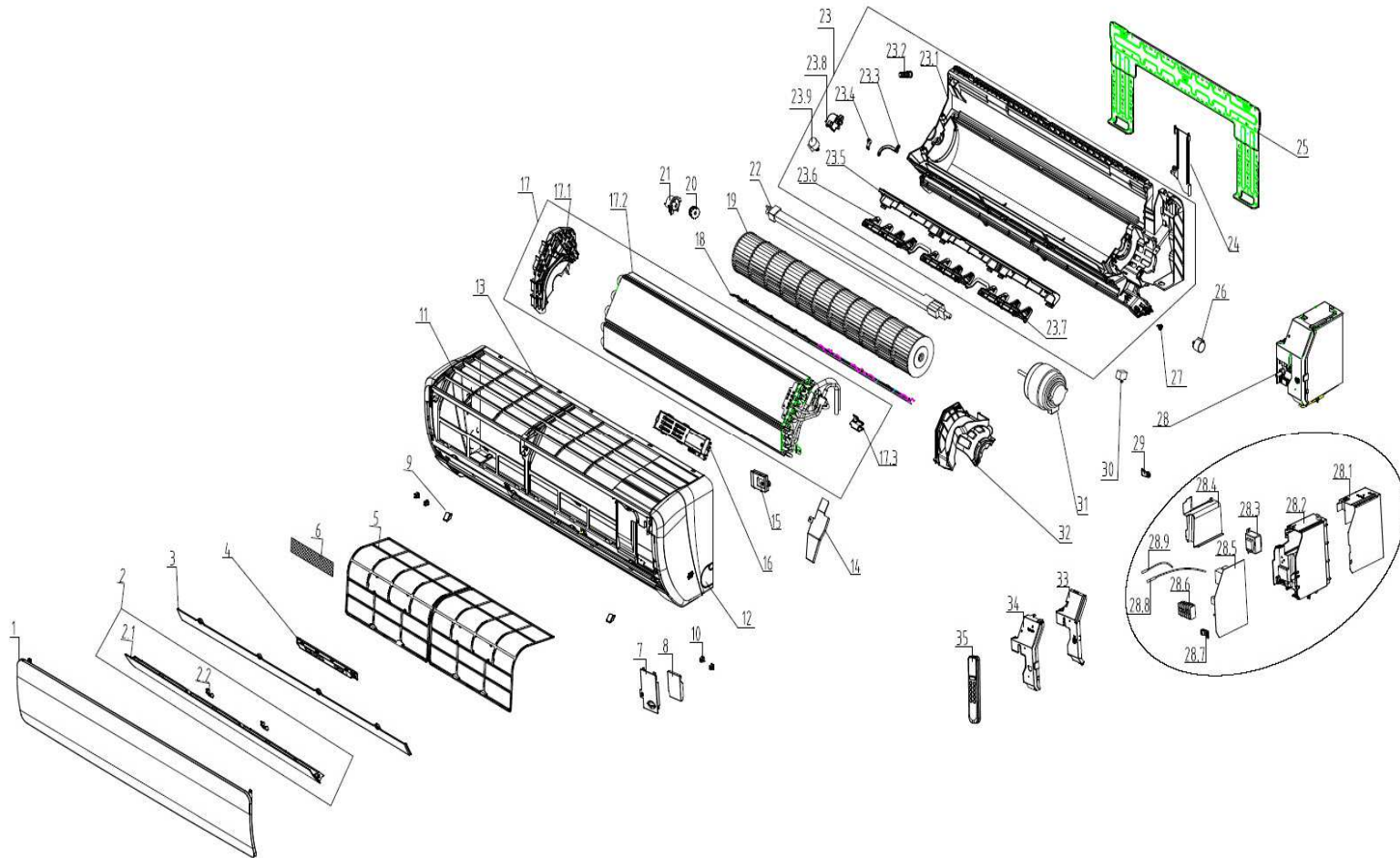


EXPLODED DIAGRAM - PARTS VIEW

Sales Model: KSIX018-H221-I
Power Supply: 208-230V / 1ph / 60Hz



This information is to be used by qualified HVAC technicians only and is subject to revision without notice

KSIX018-H221-I - Drawing No. D2IX1603

DATE 16-01

KSIX018-H221-I - SPARE PARTS LIST

No.	Part Number	Part Name	Specifications	Stock No.	Qty.	Price	Remarks
1	11320003002268	Panel			1		
3	11320094000054	Decoration board			1	\$121.86	
4	11222014000523	Display board			1	\$48.26	
5	11220508000144	Filter			2		
7	11320076000057	Medium frame wiring cover			1		
9	11320096000075	Screw cover			2		
10	11320106000008	Panel clasp			4		
11	11320078000065	Left cover			1		
12	11320078000066	Right cover			1		
13	11320002000247	Medium frame			1		
14	11320065000020	Breakwater			1		
17	11224003000561	Evaporator assembly			1		
17.1	11320015000122	Evaporator left side carriage			1		
17.2	11224009000221	Evaporator assembly			1		
17.2	11224009000220	Evaporator assembly			1		
19	11220513000058	Cross flow fan			1	\$43.18	
20	11220551000003	Bearing assembly			1		
23	11220500000167	Chassis assembly			1		
23.1	11320001000191	Chassis			1		
23.2	11333003000009	Stopple			1		
23.5	11320135000007	Air louver			1		
23.6	11320017000107	Left-right swing blade			3		
24	11320084000015	Pipe clamp			1		
25	11221500000028	Mounting plate assembly			1		

This information is to be used by qualified HVAC technicians only and is subject to revision without notice

KSIX018-H221-I - Parts List No. P2IX1603

Above prices are subject to S&H charges

DATE 16-01

KSIX018-H221-I - SPARE PARTS LIST

No.	Part Number	Part Name	Specifications	Stock No.	Qty.	Price	Remarks
26	11230002000071	Air louver step motor			1	\$17.50	
27	11320079000012	Step motor shaft sleeve			1		
28	11222003001965	Main controller			1		
28.1	11321035000022	Controller box sheet-metal			1		
28.2	11320057000066	Controller box			1		
28.4	11321035000023	Controller box sheet-metal b			1		
28.5	11222009002642	Main PCB			1	\$127.98	
28.6	11330037000020	Terminal board			1		
28.8	11329013000103	Temperature sensor			1		
28.9	11329013000103	Temperature sensor			1		
29	11320010000045	Power wire cable clamp			1		
30	11330016000018	Anion generator			1		
31	112300050010	Indoor fan motor			1	\$150.96	
32	11320052000034	Motor cover			1		
33	11320058000055	Cover of electric controller box			1		
34	11321020000029	Controller box metal plate			1		
35	11222001000112	Remote controller			1	\$51.85	

This information is to be used by qualified HVAC technicians only and is subject to revision without notice

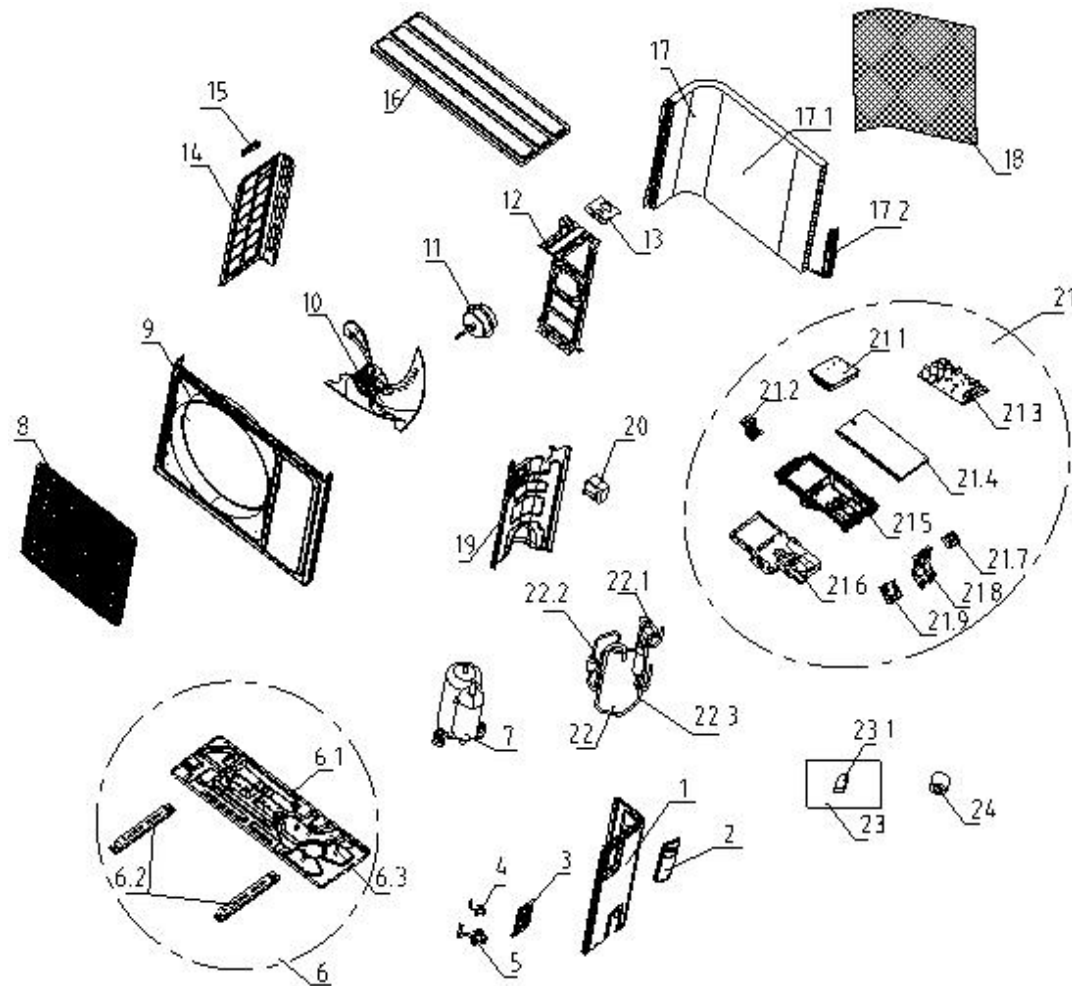
KSIX018-H221-I - Parts List No. P2IX1603

Above prices are subject to S&H charges

DATE 16-01

EXPLODED DIAGRAM - PARTS VIEW

Sales Model: KSIX018-H221-O
Power Supply: 208-230V / 1ph / 60Hz



This information is to be used by qualified HVAC technicians only and is subject to revision without notice

KSIX018-H221-O - Drawing No. D1IX1603

DATE 16-01

KSIX018-H221-O - SPARE PARTS LIST

No.	Part Number	Part Name	Specifications	Stock No.	Qty.	Price	Remarks
1	11321007000344	Right side panel			1		
2	11321008000014	E-parts cover			1		
3	11321031000027	Valve plate			1		
4	11325042000030	Liquid valve			1		
5	11225517000011	Gas valve			1		
6	11221502000516	Chassis assembly			1		
6.1	11321014000131	Chassis			1		
6.2	11321023000014	Base footing			2		
6.3	14731005000015	Screw bolt			3		
7	11223015000087	Compressor			1	\$398.13	
8	11321022000227	Panel grille			1		
9	11321005000084	Front panel			1		
10	11320009000052	Axial flow fan			1	\$38.57	
11	11230005000019	OU fan motor			1	\$127.96	
12	11321002000032	Motor support			1		
13	11321029000038	Condenser hanging loop			1		
14	11321006000133	Left side support plate			1		
15	11320097000010	Handle			1		
16	11321009000038	Top cover			1		
17	11224004001068	Condenser assembly			1		
17.1	11224006000437	Condenser			1		
17.2	11225506001188	Capillary assembly			1		
18	11332009000048	Cardboard			1		
19	11321025000055	Partition board			1		

This information is to be used by qualified HVAC technicians only and is subject to revision without notice

KSIX018-H221-O - Parts List No. P1IX1603

Above prices are subject to S&H charges

DATE 16-01

KSIX018-H221-O - SPARE PARTS LIST

No.	Part Number	Part Name	Specifications	Stock No.	Qty.	Price	Remarks
20	11330034000012	Reactor			1		
21	11222004000402	Main control unit			1		
21.1	11329031000036	Radiator			1		
21.2	11321032000007	Support plate			1		
21.3	11222031000532	Outdoor PCB			1	\$284.40	
21.4	11321020000025	Control box cover			1		
21.5	11320057000087	Control box			1		
21.6	11321019000013	Chassis			1		
21.7	11330037000139	Terminal board			1		
21.8	11321015000042	E-parts bracket			1		
22	11225516000757	4-way valve tubing assembly			1		
22.1	11225509000039	4-way valve			1		
22.2	11225504000535	Suction pipe assembly			1		
22.3	11225505000621	Discharge pipe assembly			1		
23	11219005000167	Accessories bag			1		
23.1	14618079000002	Putty			1		
24	11320022000016	Tape			1		

This information is to be used by qualified HVAC technicians only and is subject to revision without notice

KSIX018-H221-O - Parts List No. P1IX1603

Above prices are subject to S&H charges

DATE 16-01