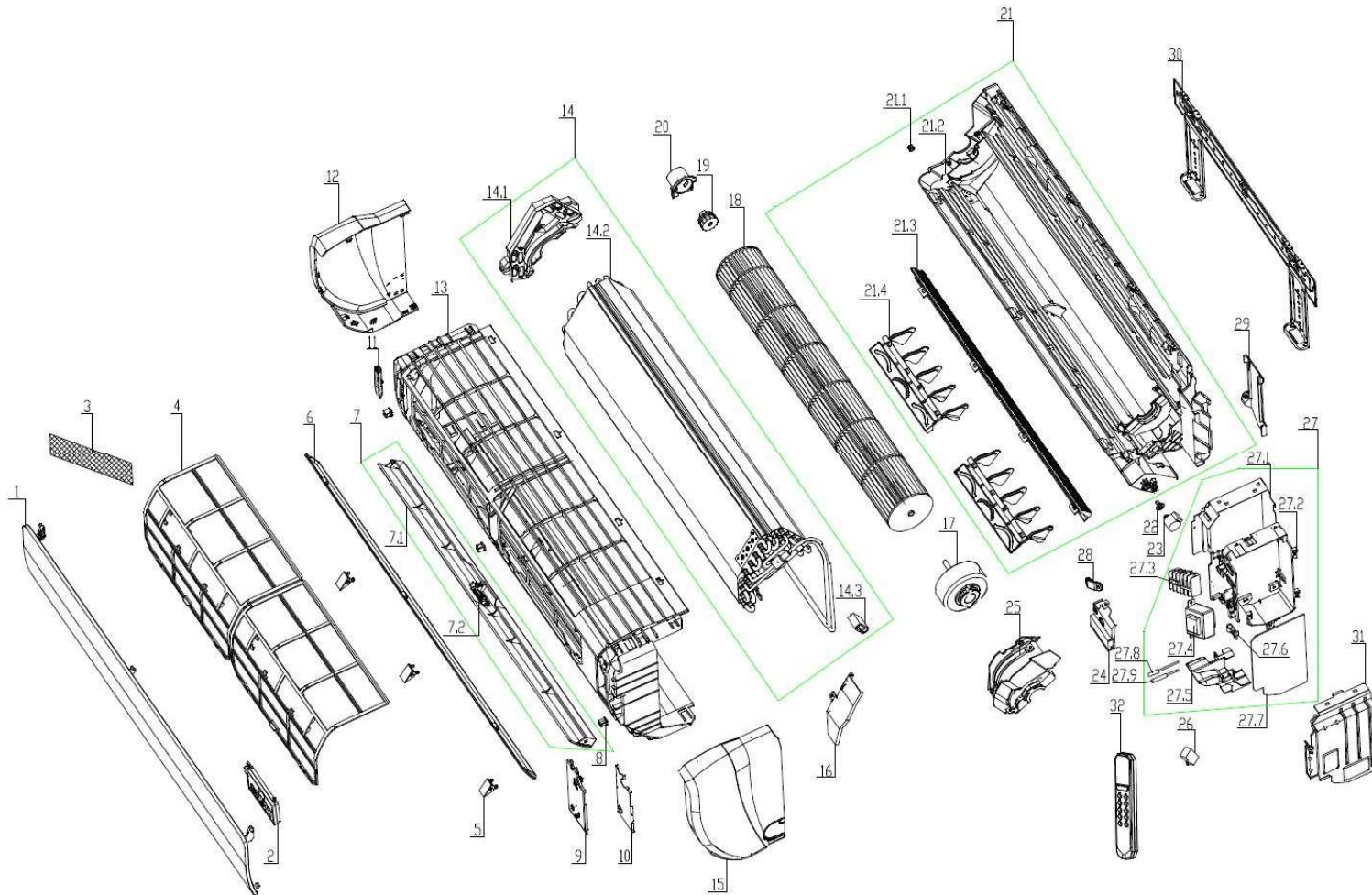


# EXPLODED DIAGRAM - PARTS VIEW

**Sales Model:** KSIX012-H222-I  
**Power Supply:** 208-230V / 1ph / 60Hz



This information is to be used by qualified HVAC technicians only and is subject to revision without notice

KSIX012-H222-I - Drawing No. D2IX1602

DATE 16-01

## KSIX012-H222-I - SPARE PARTS LIST

No.	Part Number	Part Name	Specifications	Stock No.	Qty.	Price	Remarks
1	11320003002266	Panel			1		
2	11222014000521	Display board			1	\$42.47	
4	11220508000143	Filter			2		
5	11320096000055	Screw cover			3		
6	11320061000276	Decoration board			1		
7	11320005000247	Air louver			1		
7.1	11320080000007	Air louver			1		
8	11320106000008	Panel clasp			3		
9	11320076000063	Medium frame wiring cover			1		
11	11320043000032	Panel support bar			1		
12	11320035000010	Left cover			1		
13	11320002000199	Medium frame			1		
14	11224003000635	Evaporator assembly			1		
14.1	11320015000113	Evaporator left side carriage			1		
14.2	11224009000200	Evaporator assembly			1		
14.2	11224009000199	Evaporator assembly			1		
15	11320036000010	Right cover			1		
16	11320065000020	Breakwater			1		
17	11230005000018	Indoor fan motor			1		
18	11220513000054	Cross flow fan			1	\$34.68	
19	11220551000003	Bearing assembly			1		
20	11320062000028	Bearing fixed chassis			1		
21	11220500000166	Chassis assembly			1		
21.1	11320079000010	Chassis shaft sleeve			1		

This information is to be used by qualified HVAC technicians only and is subject to revision without notice

KSIX012-H222-I - Parts List No. P2IX1602

Above prices are subject to S&H charges

DATE 16-01

## KSIX012-H222-I - SPARE PARTS LIST

No.	Part Number	Part Name	Specifications	Stock No.	Qty.	Price	Remarks
21.2	11320001000217	Chassis			1		
21.3	11320135000016	Air louver			1		
21.4	11320017000118	Left-right swing blade			2		
22	11320079000013	Step motor shaft sleeve			1		
23	11230002000058	Step motor			1	\$12.20	
24	11221526000003	Controller box metal plate			1		
25	11320052000032	Motor cover			1		
26	11330016000018	Anion generator			1		
27	11222003001955	Main controller			1		
27.1	11321012000006	Controller box sheet-metal b			1		
27.2	11320057000071	Controller box			1		
27.3	11330037000020	Terminal board			1		
27.7	11222009002605	Main pcb			1	\$121.86	
27.8	11329013000030	Temperature sensor			1		
27.9	11329013000027	Temperature sensor			1		
28	11320010000037	Power wire cable clamp			1		
29	11320084000015	Pipe clamp			1		
30	11321003000028	Mounting plate assembly			1		
31	11321012000005	Controller box sheet-metal a			1		
32	11222001000112	Remote controller			1	\$51.85	

This information is to be used by qualified HVAC technicians only and is subject to revision without notice

KSIX012-H222-I - Parts List No. P2IX1602

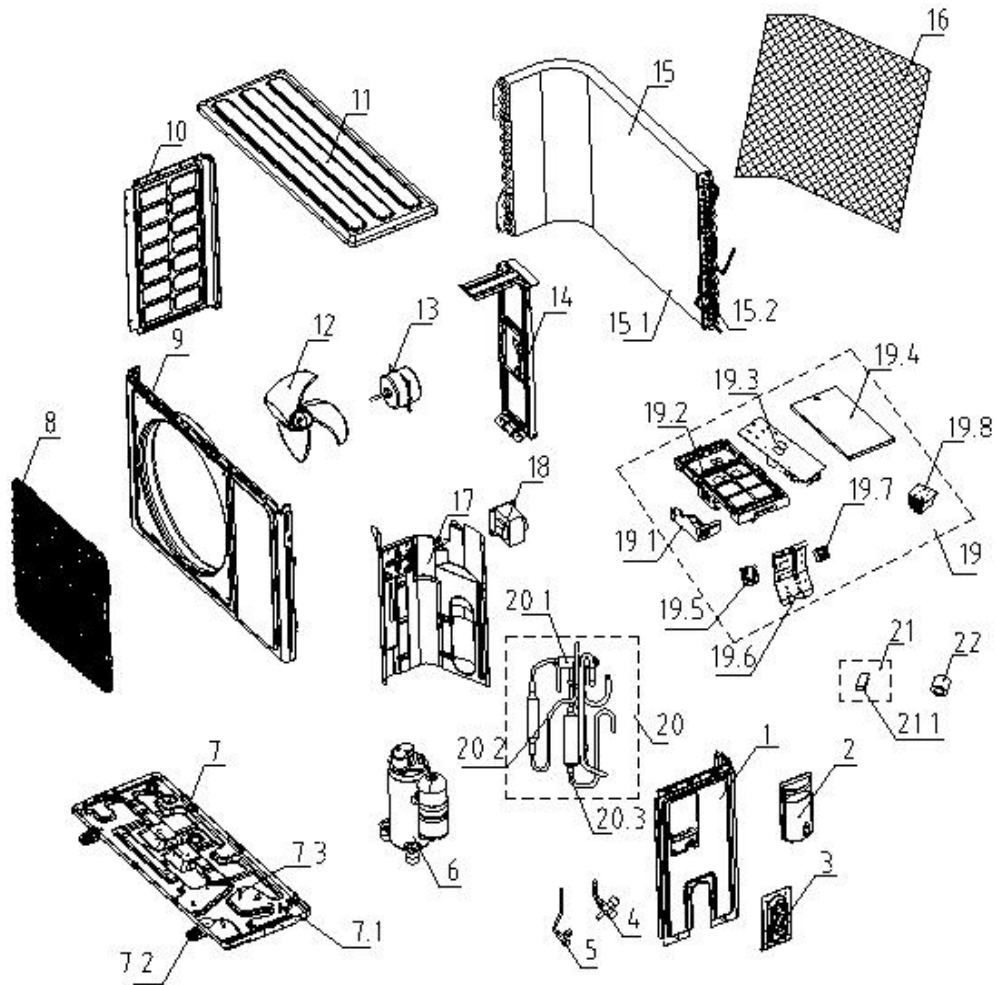
Above prices are subject to S&H charges

DATE 16-01

# EXPLODED DIAGRAM - PARTS VIEW

**Sales Model:** KSIX012-H222-I

**Power Supply:** 208-230V / 1ph / 60Hz



This information is to be used by qualified HVAC technicians only and is subject to revision without notice

KSIX012-H222-O - Drawing No. D1IX1602

DATE 16-01

## KSIX012-H222-O - SPARE PARTS LIST

No.	Part Number	Part Name	Specifications	Stock No.	Qty.	Price	Remarks
1	11321007000291	Right side panel			1		
2	11321008000014	E-parts cover			1		
3	11321031000027	Valve plate			1		
4	11325042000030	Liquid valve			1		
5	11325042000015	Gas valve			1		
6	11223003000270	Compressor			1	\$309.36	
7	11221502000436	Chassis assembly			1		
7.1	11321014000128	Chassis			1		
7.2	11321023000013	Base footing			2		
7.3	14731005000024	Screw bolt			3		
8	11321022000215	Panel grille			1		
9	11321005000077	Front panel			1		
10	11321006000113	Left side support plate			1		
11	11321009000036	Top cover			1		
12	11320009000050	Axial flow fan			1	\$24.30	
13	11230003000114	OU fan motor			1	\$99.54	
14	11321002000031	Motor support			1		
15	11224004001210	Condenser assembly			1		
15.1	11224006000423	Condenser			1		
15.2	11225506001313	Capillary assembly			1		
16	11332009000046	Rear grille			1		
17	11321025000050	Partition board			1		
18	11330034000011	Reactor			1		
19	11222004000399	Main control unit			1		

This information is to be used by qualified HVAC technicians only and is subject to revision without notice

KSIX012-H222-O - Parts List No. P1IX1602

Above prices are subject to S&H charges

DATE 16-01

## KSIX012-H222-O - SPARE PARTS LIST

No.	Part Number	Part Name	Specifications	Stock No.	Qty.	Price	Remarks
19.2	11320057000069	Control box			1		
19.3	11222031000529	Outdoor PCB			1	\$99.54	
19.4	11320058000057	Control box cover			1		
19.6	11321015000044	E-parts bracket			1		
19.7	11330037000139	Terminal board			1		
19.8	11329031000011	Radiator			2		
20	11225516000765	4-way valve assembly			1		
20.1	11225509000038	4-way valve			1		
20.2	11225505000514	Discharge pipe assembly			1		
20.3	11225504000545	Suction pipe assembly			1		
21	11219005000166	Accessories bag			1		
21.1	14618079000002	Putty			1		
22	11320022000016	Tape			1		

This information is to be used by qualified HVAC technicians only and is subject to revision without notice

KSIX012-H222-O - Parts List No. P1X1602

Above prices are subject to S&H charges

DATE 16-01