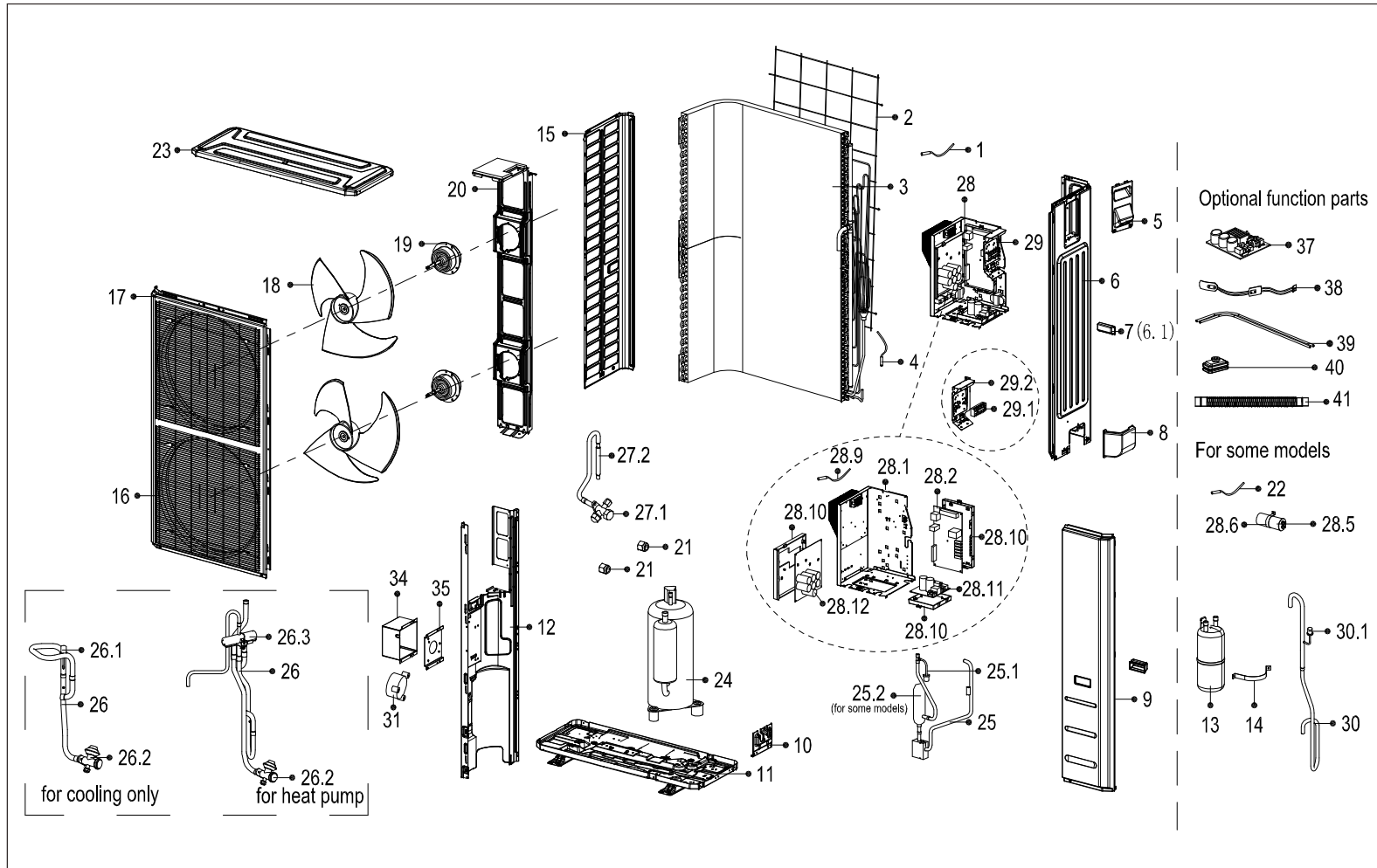


# EXPLODED DIAGRAM - PARTS VIEW

**Sales Model:** KSIR048-H218

**Power Supply:** 208-230V / 1ph / 60Hz



This information is to be used by qualified HVAC technicians only and is subject to revision without notice

KSIR048-H218 - Drawing No. D1IR1611

DATE 16-08

## KSIR048-H218 - SPARE PARTS LIST

No.	Part Number	Description	Specifications	Stock No.	Qty.	Price	Remarks
1	11201007000039	Ambient temperature sensor assembly			1	\$3.96	
2	12222000007944	Rear net			1	\$53.04	
3	15822200001056	Condenser assembly			1	\$245.32	
3	15822200001058	Condenser assembly			1	\$269.00	
4	11201007000006	Pipe temperature sensor assembly			1	\$5.17	
5	12222000004019	Big Handle assembly			1	\$4.51	
6	12222200004215	Rear right clapboard assembly			1	\$112.42	
8	12122000014023	Water collector			1	\$7.70	
9	12222000006287	Front clapboard assembly			1	\$71.23	
10	12222200002361	Valve plate			1	\$7.81	
11	12222000006290	Chassis			1	\$101.36	
12	12222000005733	Partition board assembly			1	\$55.00	
13	15500508000009	Accumulator cylinder			1	\$85.61	
15	12222200002363	Left side plate assembly of cabinet			1	\$57.55	
16	12222000007904	Air outlet grille			2	\$48.54	
17	12222000007564	Front panel			1	\$115.08	
18	12100105000022	Axial flow fan			2	\$47.41	
19	11002015002241	Fan motor			1	\$148.62	ZKFN-85-8-22
19	11002015004201	Fan motor			1	\$136.08	ZKFN-85-8-22-2
20	12222000006288	Supporter assembly of fan motor			1	\$82.54	
21	15500406000003	Copper nut			1	\$6.60	
21	15500406000010	Copper nut			1	\$3.63	
22	11201007000138	Discharge temperature sensor assembly			1	\$5.61	

This information is to be used by qualified HVAC technicians only and is subject to revision without notice

KSIR048-H218 - Parts List No. P1IR1611

Above prices are subject to S&H charges

DATE 16-08

## KSIR048-H218 - SPARE PARTS LIST

No.	Part Number	Description	Specifications	Stock No.	Qty.	Price	Remarks
23	12222200002359	Top cover assembly			1	\$50.32	
24	11103020000029	Compressor			1	\$591.36	ATQ420D1UMU
25	15123000008507	Discharge pipe assembly			1	\$92.12	
25.1	17400516000020	Pressure switch			1	\$25.00	
26	15423000002958	4-way valve assembly			1	\$211.92	
26.2	15500204000061	Gas valve			1	\$34.58	
26.3	15500216000681	4-way valve			1	\$137.13	
27	15423000002959	Liquid valve assembly			1	\$155.40	
27.1	15500208000026	Liquid valve			1	\$18.70	
27.2	15500213000245	Electronic expansion valve			1	\$133.56	
28	17222500001481	Electronic control box assembly			1	\$900.55	
28.1	12222000006289	Installation plate of electric parts			1	\$40.38	
28.2	17122500001772	Main control board assembly			1	\$204.12	
28.9	11201007000157	Discharge temp sensor assembly			1	\$6.93	
28.1	12122000014182	Installation box of electric parts			1	\$10.70	
28.1	12122000014342	Installation box of electric parts			1	\$11.40	
28.1	12122000014343	Installation box of electric parts			1	\$11.40	
28.11	17122000021908	Main control board assembly			1	\$219.33	
28.12	17122500001774	Main control board assembly			1	\$475.93	
29	17223000003336	Electronic control box assembly			1	\$72.10	
29.1	17400401000082	Wire joint			1	\$13.30	
29.1	17400401000085	Wire joint			1	\$18.50	
29.1	17400401000098	Wire joint			1	\$3.52	

This information is to be used by qualified HVAC technicians only and is subject to revision without notice

KSIR048-H218 - Parts List No. P11R1611

Above prices are subject to S&H charges

DATE 16-08

## KSIR048-H218 - SPARE PARTS LIST

No.	Part Number	Description	Specifications	Stock No.	Qty.	Price	Remarks
29.2	17223000001877	Wire joint			1	\$7.04	
30	15123000008516	Suction pipe assembly			1	\$54.74	
30.1	17400516000008	Pressure switch			1	\$23.85	
31	11201101000002	Reactor or Inductance			1	\$191.10	
34	12222000006284	Cover of inductance			1	\$15.50	
35	12222000006286	Installation base of inductance			1	\$3.85	
38	17402001000003	Crankcase electric heater			1	\$23.70	
39	17402002000043	Electric heater of chassis			1	\$75.48	

This information is to be used by qualified HVAC technicians only and is subject to revision without notice

KSIR048-H218 - Parts List No. P1IR1611

Above prices are subject to S&H charges

DATE 16-08