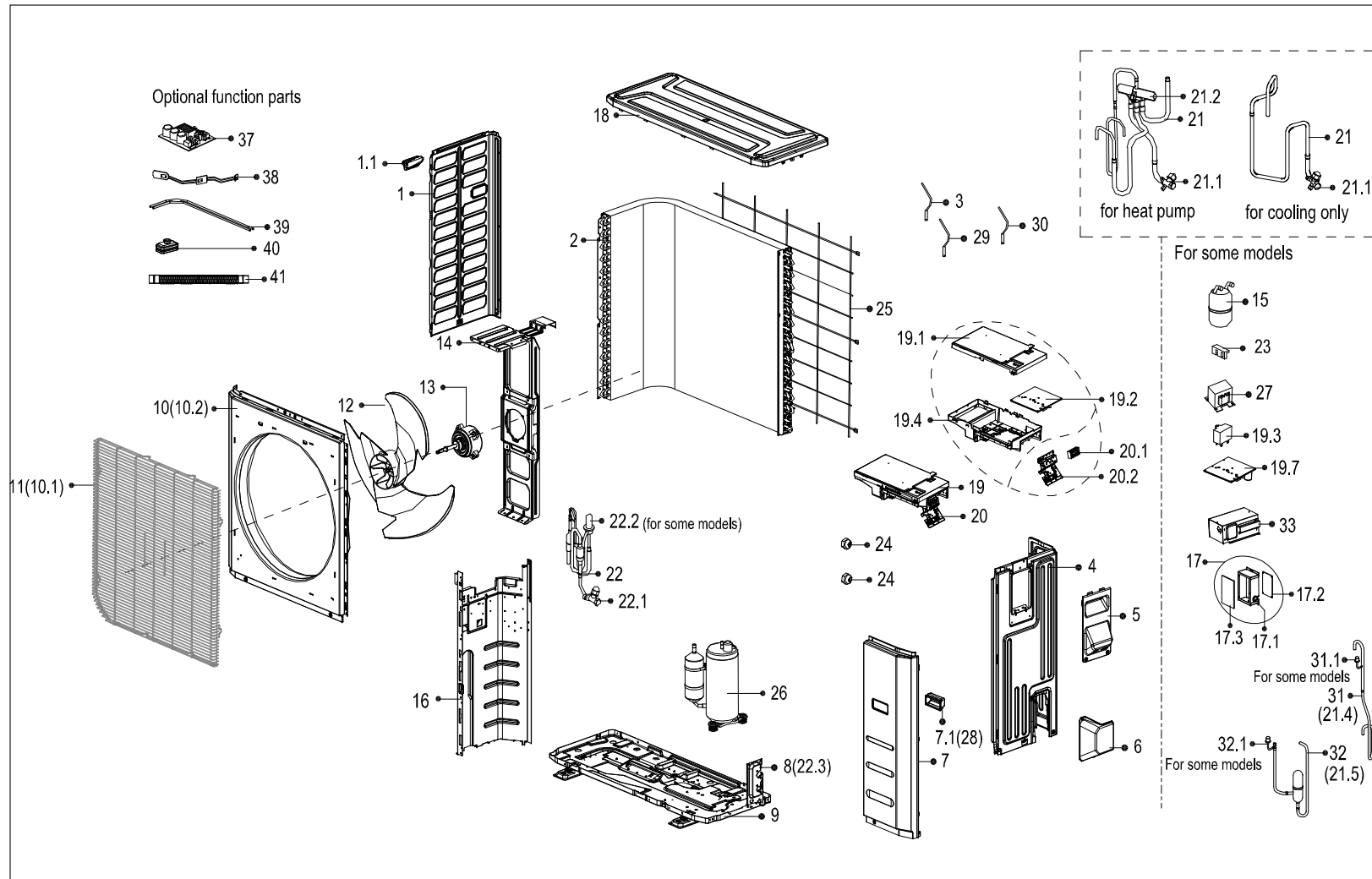


EXPLODED DIAGRAM - PARTS VIEW

Sales Model: KSIR036-H218
Power Supply: 208-230V / 1ph / 60Hz



This information is to be used by qualified HVAC technicians only and is subject to revision without notice

KSIR036-H218 - Drawing No. D1IR1610

DATE 16-08

KSIR036-H218 - SPARE PARTS LIST

No.	Part Number	Description	Specifications	Stock No.	Qty.	Price	Remarks
1	12222000006665	Left side plate assembly of cabinet			1	\$35.34	
1.1	12100701000033	Small handle			1	\$1.10	
2	15822200000807	Condenser assembly			1	\$301.44	
3	11201007000006	Pipe temperature sensor assembly			1	\$5.17	
4	12222000006664	Rear right clapboard assembly			1	\$54.23	
5	12222000004019	Big handle			1	\$4.51	
6	12122200002695	Water collector			1	\$6.16	
7	12222500A00135	Front right clapboard assembly			1	\$45.03	
9	12222000004018	Chassis assembly			1	\$73.64	
10	12222000A01431	Front panel			1	\$101.22	
11	12222000007904	Air outlet grille			1	\$48.54	
12	12100105000084	Axial flow fan			1	\$45.60	
13	11002015000247	Fan motor			1	\$142.14	ZKFN-120-8-2
14	12222000005162	Supporter assembly of fan motor			1	\$42.09	
15	15500508000002	Accumulator cylinder			1	\$77.70	
16	12222200001158	Partition board assembly			1	\$25.56	
18	12222500000587	Top cover assembly			1	\$53.55	
19	17222000A16108	Electronic control box assembly			1	\$494.31	
19.1	12122200002719	Cover of electronic control box			1	\$43.99	
19.2	17122500001211	Outdoor main control board assembly			1	\$200.46	
19.4	12122200002715	Electronic installing box			1	\$28.31	
19.7	17122500001174	Inverter control board assembly			1	\$389.66	

This information is to be used by qualified HVAC technicians only and is subject to revision without notice

KSIR036-H218 - Parts List No. P1IR1610

Above prices are subject to S&H charges

DATE 16-08

KSIR036-H218 - SPARE PARTS LIST

No.	Part Number	Description	Specifications	Stock No.	Qty.	Price	Remarks
20	17223000000581	Terminal board assembly			1	\$47.26	
20.1	17400401000075	Wire joint			1	\$21.80	
20.1	17400401000098	Wire joint			1	\$3.52	
20.2	12222200001476	Terminal board			1	\$3.08	
21	15422500000236	4-ways valve assembly			1	\$159.66	
21.1	15500204000025	Gas valve			1	\$34.20	
21.2	15500216000681	4-ways valve			1	\$137.13	
21.4	15123000008207	Suction assembly			1	\$23.40	
21.5	15123000003661	Discharge assembly			1	\$10.10	
22	15423000001918	liquid valve assembly			1	\$142.08	
22.1	15500204000008	Liquid valve			1	\$23.00	
22.2	15500213000245	Electronic expansion valve			1	\$133.56	
22.3	12222200002110	Valve plate			1	\$4.29	
24	15500406000003	Copper nut			1	\$6.60	
25	12222000006604	Rear net			1	\$24.61	
26	11103020000439	Compressor			1	\$452.73	ATF310D43UMT
29	11201007000246	Discharge temperature sensor assembly			1	\$10.89	
30	11201007000039	Ambient temperature sensor assembly			1	\$3.52	
31	15122500001076	Suction assembly			1	\$67.92	
31.1	17400516000024	Low pressure switch			1	\$21.50	
32	15122500001079	Discharge assembly			1	\$91.28	
32.1	17400516000007	High pressure switch			1	\$23.70	

This information is to be used by qualified HVAC technicians only and is subject to revision without notice

KSIR036-H218 - Parts List No. P1IR1610

Above prices are subject to S&H charges

DATE 16-08

KSIR036-H218 - SPARE PARTS LIST

No.	Part Number	Description	Specifications	Stock No.	Qty.	Price	Remarks
38	17402001000119	Crankcase electric heater			1	\$22.30	
39	17402002000043	Electric heater of chassis			1	\$75.48	
99	17401203000909	Compressor wire assembly			1	\$19.20	

This information is to be used by qualified HVAC technicians only and is subject to revision without notice

KSIR036-H218 - Parts List No. P1R1610

Above prices are subject to S&H charges

DATE 16-08