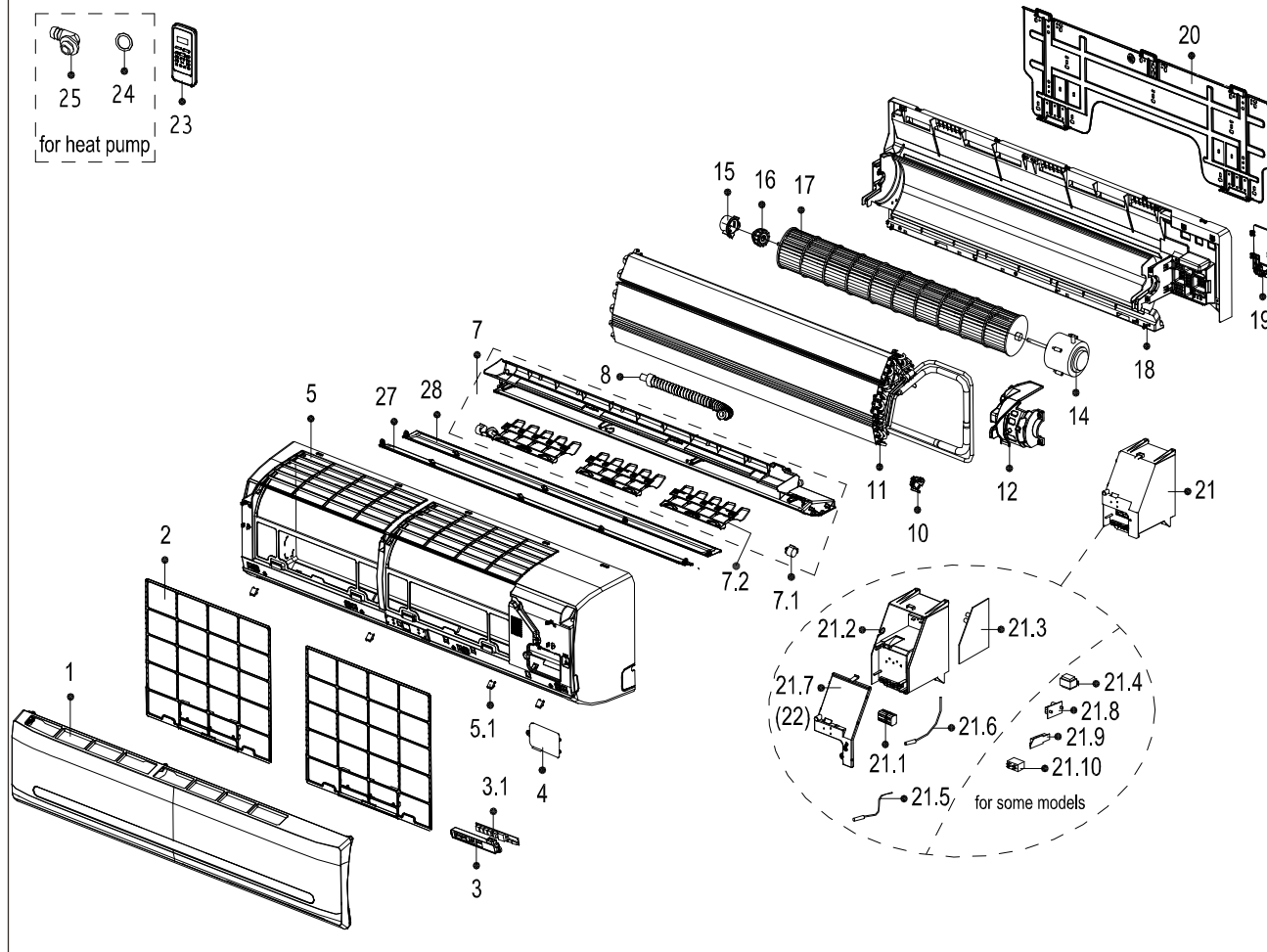
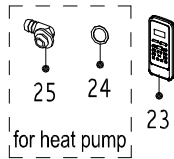


EXPLODED DIAGRAM - PARTS VIEW

Sales Model: KSIR036-H215-I
Power Supply: 208-230V / 1ph / 60Hz

Accessory part



Optional part

- 40 ● Filter
- 41 ● Plasma
- 42 ● Detection valve
- 43 ● Ionizer generator
- 44 ● Enclosure of negative ion
- 45 ● Bracket of remote Controller
- 46 ● Pipe nut or copper nut
- 47 ● Indoor and Outdoor Junction Cable
- 48 ● Connecting Flexible Hose Subassembly
- 49 ● Quick connecting pipe

This information is to be used by qualified HVAC technicians only and is subject to revision without notice

KSIR036-H216 - Drawing No. D1IR1609

DATE 16-08

KSIR036-H215-I - SPARE PARTS LIST

| No. | Part Number | Description | Specifications | Stock No. | Qty. | Price | Remarks |
|-----|----------------|---------------------------------|----------------|-----------|------|----------|----------------|
| 1 | 12122000A27481 | Panel assembly | | | 1 | \$82.62 | |
| 2 | 12100204000456 | Air filter | | | 2 | \$6.27 | |
| 3 | 17222000A08993 | Display box assembly | | | 1 | \$45.90 | |
| 3.1 | 17122000A09452 | Display board assembly | | | 1 | \$40.85 | |
| 4 | 12122000006694 | Cover of electrical equipment | | | 1 | \$2.86 | |
| 5 | 12122000001931 | Panel frame assembly | | | 1 | \$75.88 | |
| 5.1 | 12122000006272 | Screw cap | | | 4 | \$0.11 | |
| 7 | 12122000011921 | Air outlet assembly | | | 1 | \$77.14 | |
| 7.1 | 11002010000004 | Louver motor | | | 1 | \$23.56 | SM-24-19-16-31 |
| 7.2 | 12122000000148 | Vertical vane | | | 3 | \$0.88 | |
| 8 | 12100501000021 | Drain hose | | | 1 | \$3.41 | |
| 10 | 12100303000008 | Fix clamp of temperature sensor | | | 1 | \$0.22 | |
| 11 | 15822000003718 | Evaporator assembly | | | 1 | \$189.45 | |
| 12 | 12122000005475 | Fan motor cover | | | 1 | \$8.14 | |
| 14 | 11002015000094 | Fan motor | | | 1 | \$170.94 | ZKFP-58-8-1 |
| 15 | 12122000000350 | Bearing holder | | | 1 | \$0.44 | |
| 16 | 12622000000006 | Bearing base | | | 1 | \$1.21 | |
| 17 | 12100102000084 | Cross flow fan | | | 1 | \$49.56 | |
| 18 | 12122000003909 | Chassis assembly | | | 1 | \$83.58 | |
| 19 | 12122000000460 | Pipe clamp board | | | 1 | \$1.43 | |
| 20 | 12222000000029 | Installation plate | | | 1 | \$36.01 | |

This information is to be used by qualified HVAC technicians only and is subject to revision without notice

KSIR036-H216-I - Parts List No. P1IR1609

Above prices are subject to S&H charges

DATE 16-08

KSIR036-H215-I - SPARE PARTS LIST

| No. | Part Number | Description | Specifications | Stock No. | Qty. | Price | Remarks |
|------|----------------|-------------------------------------|----------------|-----------|------|----------|---------------|
| 21 | 17222000A29548 | Electronic control box assembly | | | 1 | \$133.56 | |
| 21.1 | 17400401000006 | Wire joint | | | 1 | \$8.80 | |
| 21.2 | 12122000004617 | Electronic control box | | | 1 | \$22.99 | |
| 21.3 | 17122000018871 | Indoor main control board assembly | | | 1 | \$117.18 | |
| 21.5 | 11201007000088 | Ambient temperature sensor assembly | | | 1 | \$2.86 | |
| 21.6 | 11201007000322 | Pipe temperature sensor assembly | | | 1 | \$3.74 | |
| 21.7 | 12122000005040 | Cover of electronic control box | | | 1 | \$6.05 | |
| 23 | 17317000A17821 | Remote Controller | | | 1 | \$35.91 | RG57A6/BGEFU1 |
| 24 | 12600701000039 | Seal ring | | | 1 | \$0.11 | |
| 25 | 12100509000061 | Drain joint | | | 1 | \$0.33 | |
| 27 | 12122000006106 | Horizontal louver (above) | | | 1 | \$12.10 | |
| 28 | 12122000008092 | Horizontal louver (below) | | | 1 | \$10.34 | |
| 40 | 12100206000056 | Air freshening filter | | | 1 | \$1.54 | |
| 40 | 12100207000131 | Air freshening filter | | | 1 | \$1.43 | |
| 46 | 15500406000003 | Pipe nut or Copper nut | | | 1 | \$6.60 | |
| 46 | 15500406000010 | Pipe nut or Copper nut | | | 1 | \$3.63 | |
| 47 | 17401203000043 | Indoor and Outdoor Junction Cable | | | 1 | \$50.07 | |

This information is to be used by qualified HVAC technicians only and is subject to revision without notice

KSIR036-H216-I - Parts List No. P1IR1609

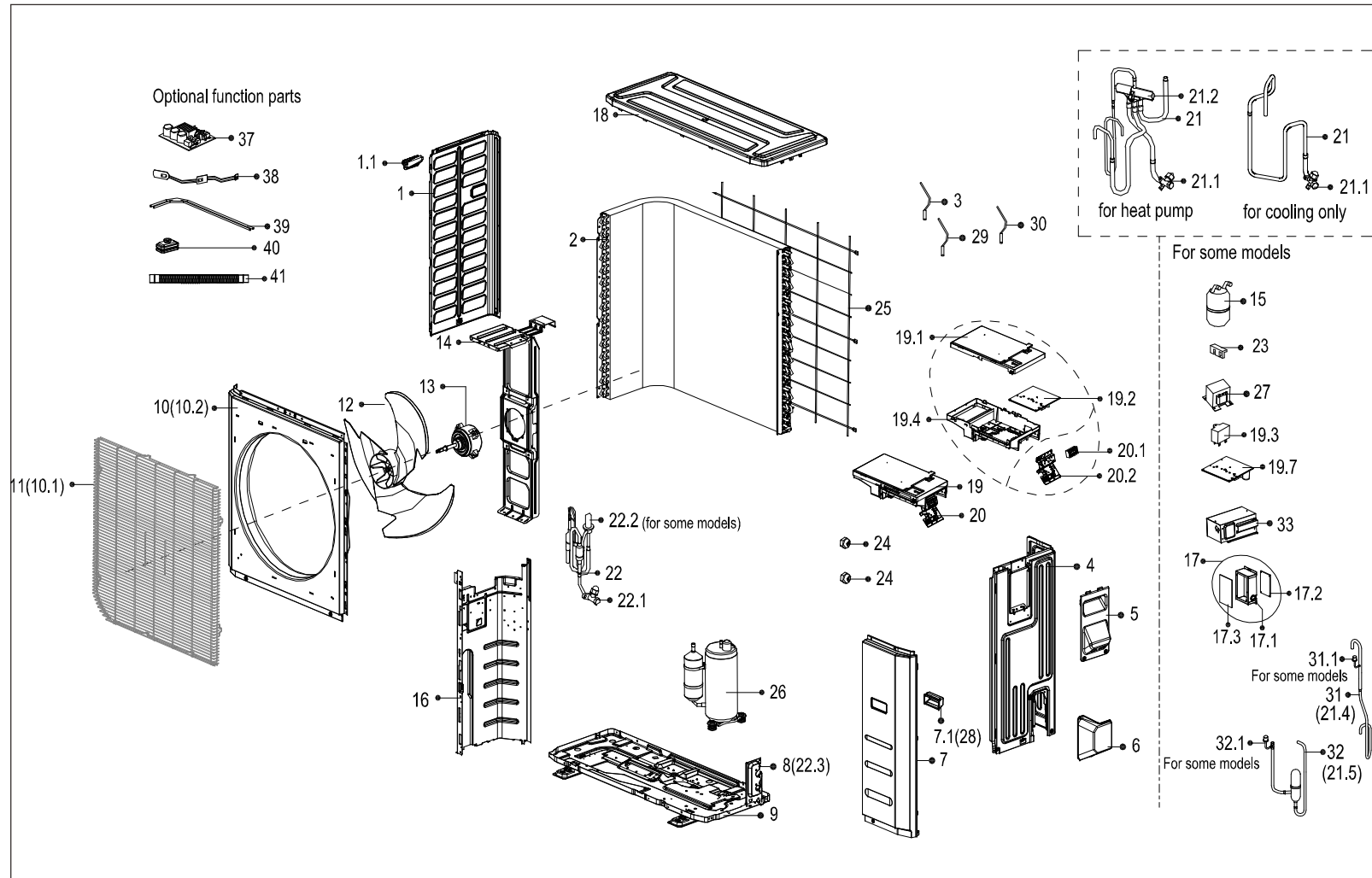
Above prices are subject to S&H charges

DATE 16-08

EXPLODED DIAGRAM - PARTS VIEW

Sales Model: KSIR036-H215-O

Power Supply: 208-230V / 1ph / 60Hz



This information is to be used by qualified HVAC technicians only and is subject to revision without notice

KSIR036-H216-O - Drawing No. D1IR1608

DATE 16-08

KSIR036-H215-O - SPARE PARTS LIST

| No. | Part Number | Description | Specifications | Stock No. | Qty. | Price | Remarks |
|------|----------------|-------------------------------------|----------------|-----------|------|----------|-------------------|
| 1 | 12222000006665 | Left side plate assembly of cabinet | | | 1 | \$35.34 | |
| 1.1 | 12100701000033 | Small handle | | | 1 | \$1.10 | |
| 2 | 15822000003722 | Condenser assembly | | | 1 | \$333.88 | |
| 3 | 11201007000006 | Pipe temperature sensor assembly | | | 1 | \$5.17 | |
| 4 | 12222000006664 | Rear right clapboard assembly | | | 1 | \$54.23 | |
| 5 | 12222000004019 | Big handle | | | 1 | \$4.51 | |
| 6 | 12122200002695 | Water collector | | | 1 | \$6.16 | |
| 7 | 12222500A00135 | Front right clapboard assembly | | | 1 | \$45.03 | |
| 9 | 12222000004018 | Chassis assembly | | | 1 | \$73.64 | |
| 10 | 12222000A01431 | Front panel | | | 1 | \$101.22 | |
| 11 | 12222000007904 | Air outlet grille | | | 1 | \$48.54 | |
| 12 | 12100105000084 | Axial flow fan | | | 1 | \$45.60 | ZL-560*139*12-3KN |
| 13 | 11002015000247 | Fan motor | | | 1 | \$142.14 | ZKFN-120-8-2 |
| 14 | 12222000005162 | Supporter assembly of fan motor | | | 1 | \$42.09 | |
| 15 | 15500508000002 | Accumulator cylinder | | | 1 | \$77.70 | |
| 16 | 12222200001158 | Partition board assembly | | | 1 | \$25.56 | |
| 18 | 12222500000587 | Top cover assembly | | | 1 | \$53.55 | |
| 19 | 17222000A16188 | Electronic control box assembly | | | 1 | \$487.41 | |
| 19.1 | 12122200002719 | Cover of electronic control box | | | 1 | \$43.99 | |
| 19.2 | 17122000A13447 | Outdoor main control board assembly | | | 1 | \$177.72 | |
| 19.4 | 12122200002715 | Electronic installing box | | | 1 | \$28.31 | |
| 19.7 | 17122000015997 | Inverter control board assembly | | | 1 | \$391.09 | |
| 20 | 17222000014908 | Terminal board assembly | | | 1 | \$37.81 | |

This information is to be used by qualified HVAC technicians only and is subject to revision without notice

KSIR036-H216-O - Parts List No. P1R1608

Above prices are subject to S&H charges

DATE 16-08

KSIR036-H215-O - SPARE PARTS LIST

| No. | Part Number | Description | Specifications | Stock No. | Qty. | Price | Remarks |
|------|----------------|---------------------------------------|----------------|-----------|------|----------|--------------|
| 20.1 | 17400401000037 | Wire joint | | | 1 | \$13.00 | |
| 20.2 | 12222200001476 | Terminal board | | | 1 | \$3.08 | |
| 21 | 15422000004953 | 4-ways valve assembly | | | 1 | \$112.98 | |
| 21.1 | 15500204000025 | Gas valve | | | 1 | \$34.20 | |
| 21.2 | 15500216000361 | 4-ways valve | | | 1 | \$77.10 | |
| 21.4 | 15122000011327 | Suction assembly | | | 1 | \$12.40 | |
| 21.5 | 15122000011326 | Discharge assembly | | | 1 | \$2.53 | |
| 22 | 15422000004954 | liquid valve assembly | | | 1 | \$141.18 | |
| 22.1 | 15500204000021 | Liquid valve | | | 1 | \$20.80 | |
| 22.2 | 15500213000245 | Electronic expansion valve | | | 1 | \$133.56 | |
| 22.3 | 12222200002110 | Valve plate | | | 1 | \$4.29 | |
| 24 | 15500406000003 | Copper nut | | | 1 | \$8.25 | |
| 24 | 15500406000010 | Copper nut | | | 1 | \$3.63 | |
| 25 | 12222000006604 | Rear net | | | 1 | \$24.61 | |
| 26 | 11103020000319 | Compressor | | | 1 | \$373.32 | ATF250D22UMT |
| 29 | 11201007000157 | Discharge temperature sensor assembly | | | 1 | \$6.93 | |
| 30 | 11201007000039 | Ambient temperature sensor assembly | | | 1 | \$3.52 | |
| 31 | 15122000009629 | Suction assembly | | | 1 | \$54.49 | |
| 31.1 | 17400516000024 | Low pressure switch | | | 1 | \$21.50 | |
| 32 | 15122000011324 | Discharge assembly | | | 1 | \$50.15 | |
| 32.1 | 17400516000007 | High pressure switch | | | 1 | \$23.70 | |
| 38 | 17402001000119 | Crankcase electric heater | | | 1 | \$22.30 | |
| 39 | 17402002000043 | Electric heater of chassis | | | 1 | \$75.48 | |

This information is to be used by qualified HVAC technicians only and is subject to revision without notice

KSIR036-H216-O - Parts List No. P1IR1608

Above prices are subject to S&H charges

DATE 16-08

KSIR036-H215-O - SPARE PARTS LIST

| No. | Part Number | Description | Specifications | Stock No. | Qty. | Price | Remarks |
|-----|----------------|--------------------------|----------------|-----------|------|---------|---------|
| 41 | 12100509000059 | Drain pipe | | | 1 | \$2.97 | |
| 99 | 17401203000909 | Compressor wire assembly | | | 1 | \$19.20 | |

This information is to be used by qualified HVAC technicians only and is subject to revision without notice

KSIR036-H216-O - Parts List No. P1IR1608

Above prices are subject to S&H charges

DATE 16-08