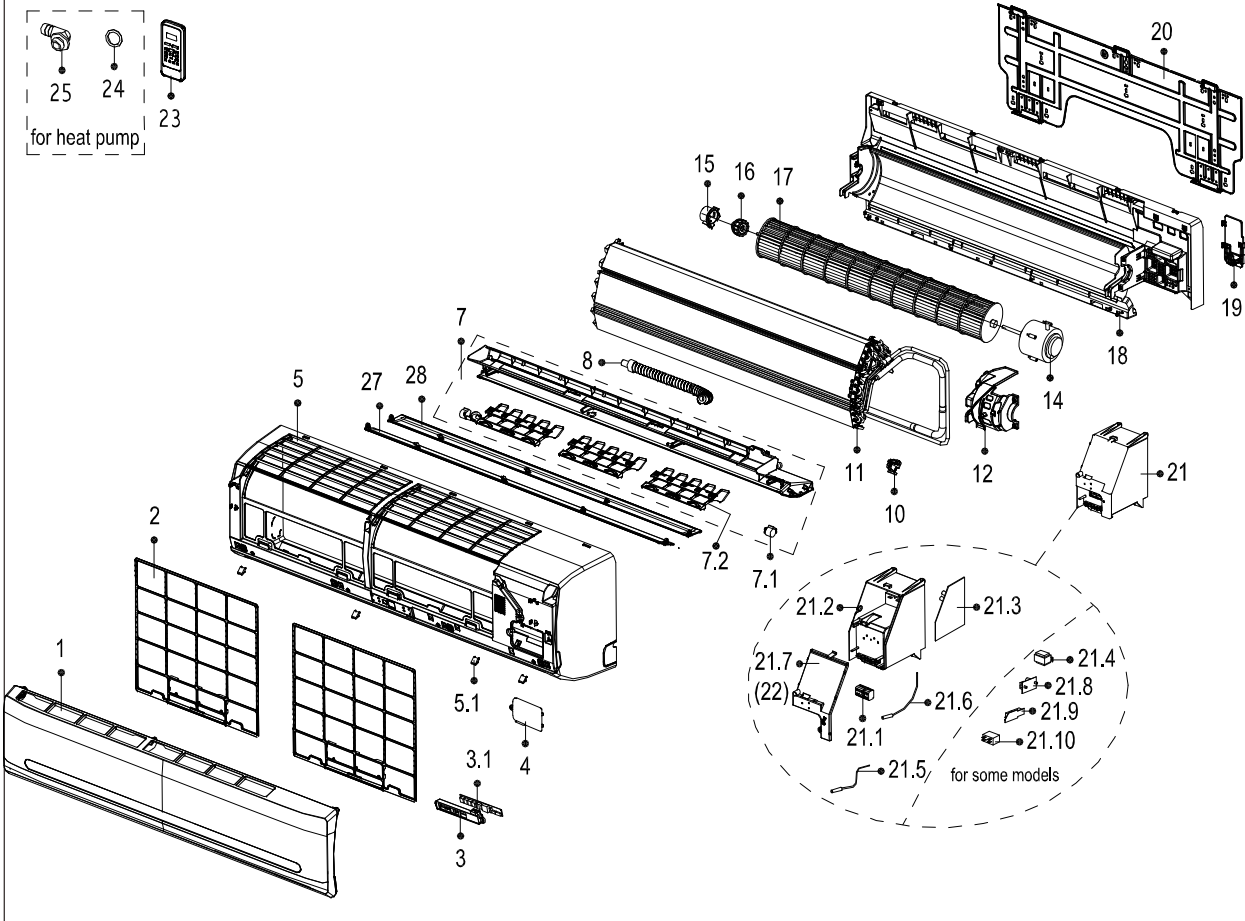
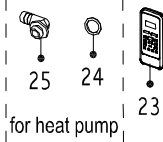


EXPLODED DIAGRAM - PARTS VIEW

Sales Model: KSIQ036-H216-IW
Power Supply: 208-230 V / 1ph / 60 Hz

Accessory part



Optional part

- 40 Filter
- 41 Plasma
- 42 Detection valve
- 43 Ionizer generator
- 44 Enclosure of negative ion
- 45 Bracket of remote Controller
- 46 Pipe nut or copper nut
- 47 Indoor and Outdoor Junction Cable
- 48 Connecting Flexible Hose Subassembly
- 49 Quick connecting pipe

This information is to be used by qualified HVAC technicians only and is subject to revision without notice

KSIQ036--H216-IW - Drawing No. D51RQ1707

DATE 17-03

KSIQ036-H216-IW - SPARE PARTS LIST

No.	Part Number	Part Name	Specifications	Stock No.	Qty.	Price	Remarks
1	12122000A27481	Panel assembly			1	\$82.62	
2	12100204000456	Air filter			2	\$6.27	
3.1	17122000006991	Display board subassembly			1	\$19.20	
3.1	17122000A13927	Display board subassembly			1	\$47.26	
4	12122000006694	Cover of electrical equipment			1	\$2.86	
5	12122000001931	Panel frame assembly			1	\$75.88	
5.1	12122000006272	Screw cap			4	\$0.11	
7	12122000011921	Air outlet assembly			1	\$77.14	
7.1	11002010000004	stepper motor			1	\$24.80	SM-24-19-16-31
7.2	12122000000148	Horizontal louver			3	\$0.88	
8	12100501000021	Drain Hose			1	\$3.41	
10	12100303000008	Fixed clamp of temperature sensor			1	\$0.22	
11	15822000005496	Evaporator assembly			1	\$209.57	
12	12122000005475	Fan motor cover			1	\$8.14	
14	11002015000094	Brushless DC Motor			1	\$170.94	ZKFP-58-8-1
15	12122000000350	Bearing holder			1	\$0.44	
16	12622000000006	Bearing base			1	\$1.21	
17	12100102000084	Cross flow fan			1	\$49.56	GL-118*955-I
18	12122000003909	Chassis Assembly			1	\$83.58	
19	12122000000460	pipe clamp board			1	\$1.43	
20	12222000000029	Installation Plate			1	\$36.01	
21	17222000A29548	Electronic control box subassembly			1	\$136.32	
21.1	17400401000006	Wire joint			1	\$8.03	JXZ-AD5Z(UL)-C(YF2004C)

This information is to be used by qualified HVAC technicians only and is subject to revision without notice

KSIQ036--H216-IW - Drawing No. P5IRQ1707

Above prices are subject to S&H charges

DATE 17-03

KSIQ036-H216-IW - SPARE PARTS LIST

No.	Part Number	Part Name	Specifications	Stock No.	Qty.	Price	Remarks
21.2	1212200004617	Electronic control box			1	\$24.20	
21.3	17122000018871	Main control board subassembly			1	\$102.55	
21.5	11201007000088	Room Temperature Sensor			1	\$2.86	
21.6	11201007000322	Pipe Temperature Sensor			1	\$3.74	
21.7	12122000005040	Cover of electronic control box			1	\$6.05	
23	17317000A17821	Order remote controller			1	\$36.01	RG57A6/BGEFU1
24	12600701000039	Seal ring			1	\$0.11	
25	12100509000061	Drain hose			1	\$0.33	
27	12122000006106	Horizontal louver			1	\$12.10	
28	12122000008092	Horizontal louver			1	\$10.34	
40	12100204000685	air fresh filter			1	\$0.88	
48	15122000013916	Connection pipe assembly			1	\$566.02	
48.1	15500305000002	Quick connecting pipe			1	\$79.24	KSJT-FB09N(YH)
48.1	15500305000005	Quick connecting pipe			1	\$99.47	KSJT-FB16N(YH)

This information is to be used by qualified HVAC technicians only and is subject to revision without notice

KSIQ036--H216-IW - Drawing No. P5IRQ1707

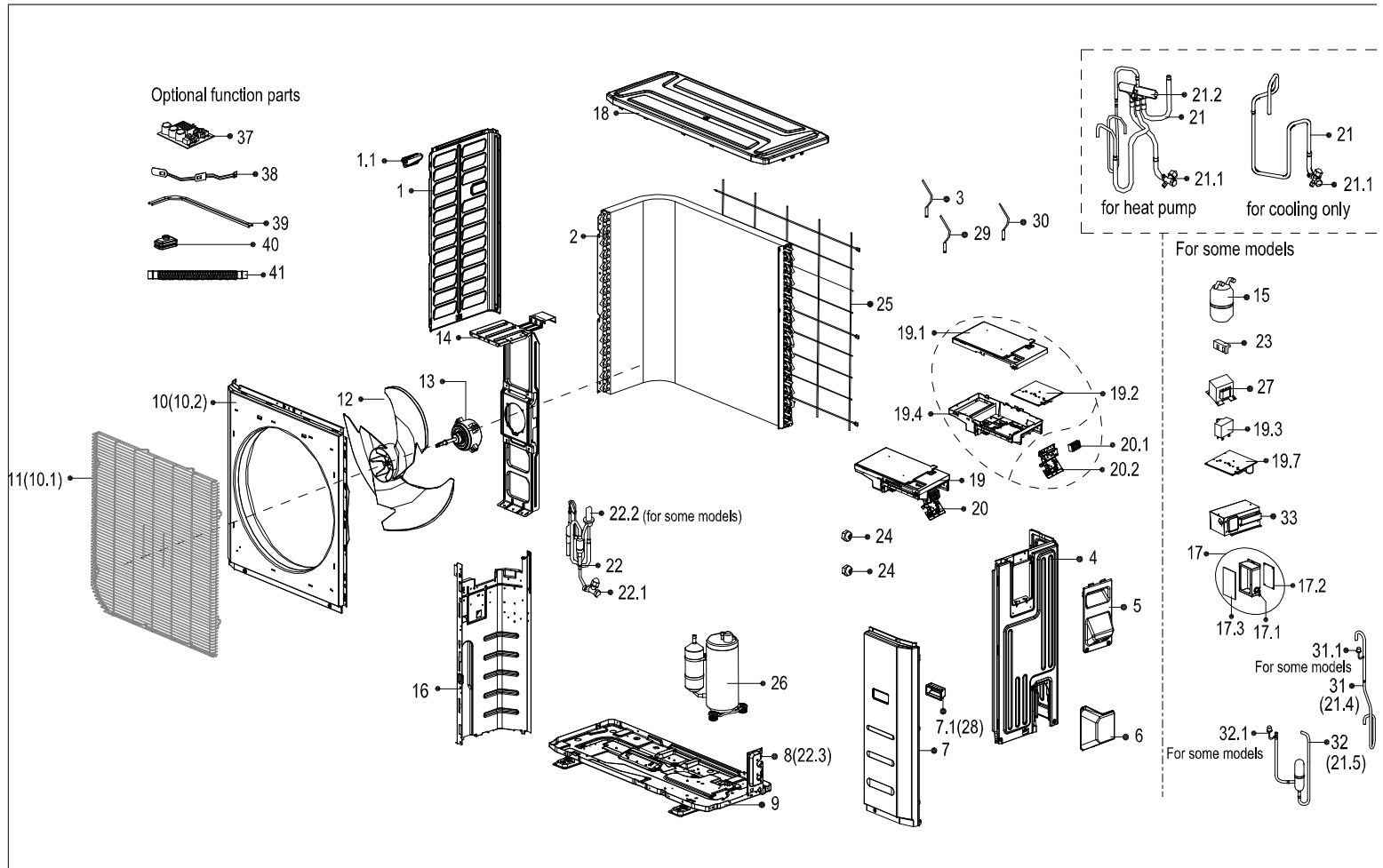
Above prices are subject to S&H charges

DATE 17-03

EXPLODED DIAGRAM - PARTS VIEW

Sale Model: KSIQ036-H216-O

Power Supply: 208-230 V / 1ph / 60 Hz



This information is to be used by qualified HVAC technicians only and is subject to revision without notice

KSIQ036-H216-O - Drawing No. D5IRQ1708

DATE 17-03

KSIQ036-H216-O - SPARE PARTS LIST

No.	Part Number	Part Name	Specifications	Stock No.	Qty.	Price	Remarks
1	12222000006665	Left side plate assembly of cabinet			1	\$42.41	
1.1	12100701000033	Small handle			1	\$1.32	
2	15822000003722	Condenser assembly			1	\$350.57	
3	11201007000006	Pipe Temperature Sensor			1	\$6.20	
4	12222000006664	Rear right clapboard assembly			1	\$65.08	
5	12222000004019	Big Handle			1	\$5.41	
6	12122200002695	Water collector			1	\$7.39	
7	12222500A00135	Front right clapboard assembly			1	\$48.35	
9	12222000004018	Chassis assembly			1	\$88.37	
10	12222000A01431	Front panel			1	\$121.46	
11	12222000007904	Air outlet grille			1	\$58.24	
12	12100105000084	Axial flow fan			1	\$48.96	ZL-560*139*12-3KN
13	11002015000247	Brushless DC Motor			1	\$170.57	ZKFN-120-8-2
14	12222000005162	Supporter subassembly of fan motor			1	\$45.19	
15	15500508000002	Accumulator cylinder			1	\$93.24	
16	12222200001158	Partition board assembly			1	\$30.67	
18	12222500000587	Top cover assembly			1	\$64.26	
19	17222000A24489	Electronic control box subassembly			1	\$578.30	
19.1	12122200002719	Electronic installing box subassembly			1	\$47.23	
19.2	17122000A16147	Outdoor main control board subassembly			1	\$192.17	
19.4	12122200002715	Electronic installing box subassembly			1	\$33.97	
19.7	17122000A16148	Inverter control board subassembly			1	\$435.96	
20	17222000014908	Terminal board subassembly			1	\$41.27	
20.1	17400401000037	Wire joint			1	\$14.88	JXZ-AG6H-A

This information is to be used by qualified HVAC technicians only and is subject to revision without notice

KSIQ036--H216-O - Drawing No. P5IRQ1708

Above prices are subject to S&H charges

DATE 17-03

KSIQ036-H216-O - SPARE PARTS LIST

No.	Part Number	Part Name	Specifications	Stock No.	Qty.	Price	Remarks
20.2	12222200001476	Terminal board			1	\$3.70	
21	15422000004953	4-way valve assembly			1	\$135.58	
21.1	15500204000025	Gas valve			1	\$41.04	DYF-C15N1
21.2	15500216000361	4-way valve			1	\$76.19	STF-02BN1
21.4	15122000011327	Suction pipe			1	\$14.88	
21.5	15122000011326	Discharge pipe			1	\$3.04	
22	15422000004954	Liquid valve assembly			1	\$169.42	
22.1	15500204000021	Gas valve			1	\$24.96	DYF-A28N
22.2	15500213000245	Electronic expansion valve			1	\$137.38	DPF(T01)2.4C-05(L=1500)
22.3	12222200002110	Valve plate			1	\$5.15	
25	12222000006604	Rear net			1	\$29.53	
26	11103020000319	DC Inverter Rotary Compressor			1	\$391.99	ATF250D22UMT
29	11201007000157	Discharge Temperature Sensor			1	\$8.32	
30	11201007000039	Room Temperature Sensor			1	\$4.22	
31	15122000009629	Suction pipe assembly			1	\$65.38	
31.1	17400516000024	Pressure switch			1	\$23.94	
32	15122000011324	Discharge pipe assembly			1	\$60.18	
32.1	17400516000007	Pressure switch			1	\$26.45	
38	17402001000119	Crankcase electric heater			1	\$27.02	
39	17402002000043	Electric heating tube			1	\$74.00	
41	12100509000059	Drain pipe			1	\$3.56	PJX1.3-1(L2000)
99	17401203000909	Compressor wire subassembly			1	\$22.44	

This information is to be used by qualified HVAC technicians only and is subject to revision without notice

KSIQ036--H216-O - Drawing No. P5IRQ1708

Above prices are subject to S&H charges

DATE 17-03