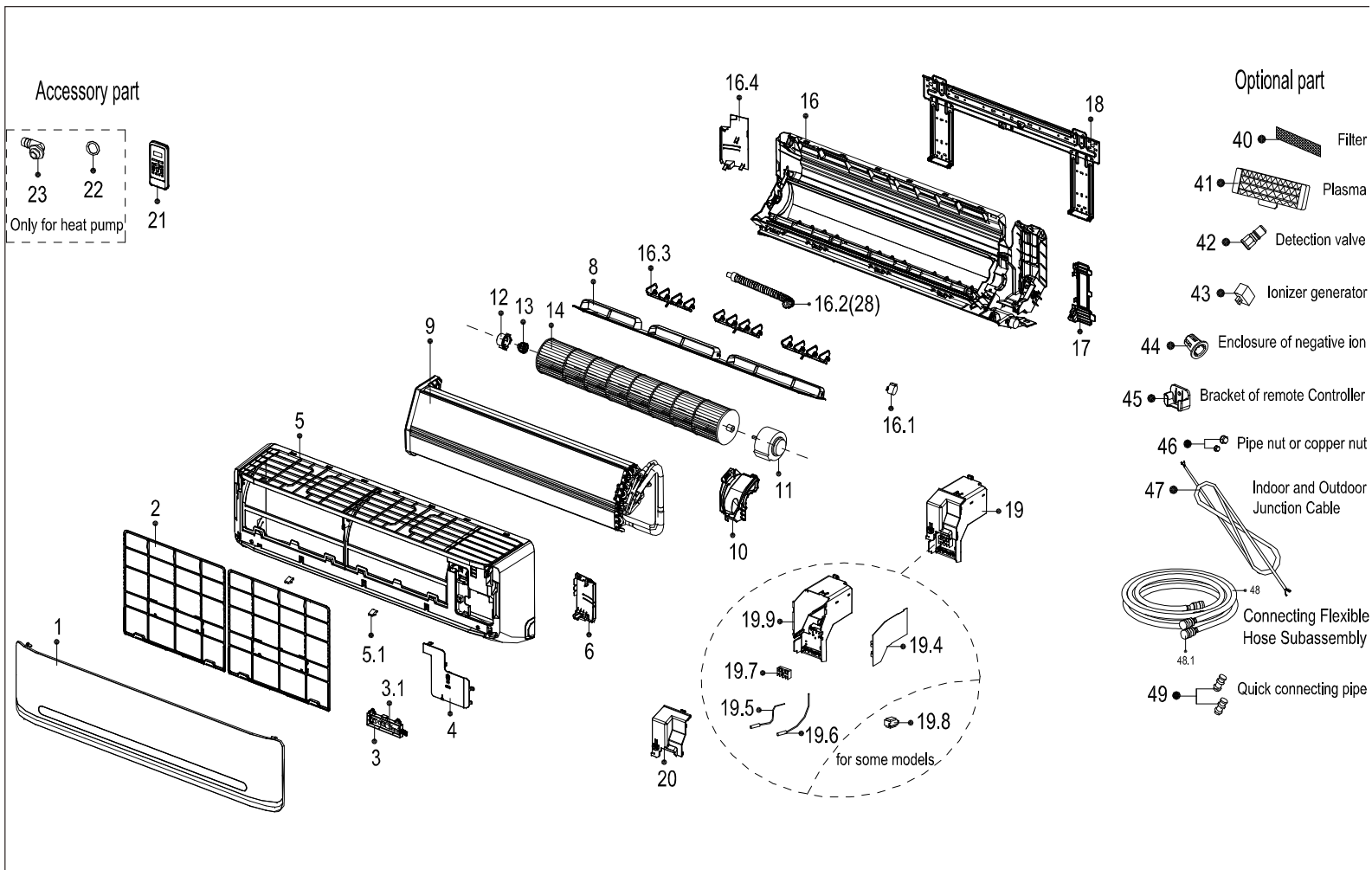


EXPLODED DIAGRAM - PARTS VIEW

Sales Model: KSIQ024-H216-IW

Power Supply: 208-230 V / 1ph / 60 Hz



This information is to be used by qualified HVAC technicians only and is subject to revision without notice

KSIQ024--H216-IW - Drawing No. D5IRQ1705

DATE 17-03

KSIQ024-H216-IW - SPARE PARTS LIST

No.	Part Number	Part Name	Specifications	Stock No.	Qty.	Price	Remarks
1	12122000A15337	Panel assembly			1	\$35.68	
2	12100204000461	Air filter			2	\$14.52	
3	17222000A17250	Display box subassembly			1	\$62.73	
3	17222000A32828	Display box subassembly			1	\$26.56	
3.1	17122000A13927	Display board subassembly			1	\$56.71	
3.1	17122000006991	Display board subassembly			1	\$23.04	
4	12122000006733	Cover of electrical equipment			1	\$6.73	
5	12122000001956	Panel frame assembly			1	\$82.62	
5.1	12122000008242	Screw cap			2	\$0.13	
6	12122000004608	Front cover of chassis(right)			1	\$3.04	
8	12122000006335	Horizontal louver			1	\$23.88	
9	15822000005497	Evaporator assembly			1	\$190.19	
10	12122000005512	Fan motor cover			1	\$6.34	
11	11002015000094	Brushless DC Motor			1	\$205.13	ZKFP-58-8-1
12	12122000000350	Bearing holder			1	\$0.53	
13	12622000000006	Bearing base			1	\$1.45	
14	12100102000018	Cross flow fan			1	\$52.94	GL-108*818
16	12122000011879	Chassis assembly			1	\$162.65	
17	12122000000458	pipe clamp board			1	\$1.85	
18	12222000000026	Installation plate			1	\$17.28	
19	17222000A48658	Electronic control box subassembly (Mid-and low-end)			1	\$129.24	
19.4	17122000018739	Main control board subassembly			1	\$98.78	
19.5	11201007000085	Room Temperature Sensor			1	\$4.75	
19.6	11201007000126	Pipe Temperature Sensor			1	\$4.09	

This information is to be used by qualified HVAC technicians only and is subject to revision without notice

KSIQ024--H216-IW - Drawing No. P5IRQ1705

Above prices are subject to S&H charges

DATE 17-03

KSIQ024-H216-IW - SPARE PARTS LIST

No.	Part Number	Part Name	Specifications	Stock No.	Qty.	Price	Remarks
19.7	17400401000006	Wire joint			1	\$9.64	
19.9	12122000007845	Electronic control box			1	\$17.88	
20	12122000005024	Cover of electronic control box			1	\$4.22	
21	17317000A17821	Order remote controller			1	\$43.21	RG57A6/BGEFU1
22	12600701000039	Seal ring			1	\$0.13	
23	12100509000061	Drain hose			1	\$0.40	
28	12100501000032	Drain Hose			1	\$4.75	
40	12100204000685	air fresh filter			1	\$1.06	
48	15122000013920	Connection pipe assembly			1	\$678.09	
48.1	15500305000002	Quick connecting pipe			1	\$95.09	KSJT-FB09N(YH)
48.1	15500305000005	Quick connecting pipe			1	\$119.36	KSJT-FB16N(YH)

This information is to be used by qualified HVAC technicians only and is subject to revision without notice

KSIQ024--H216-IW - Drawing No. P5IRQ1705

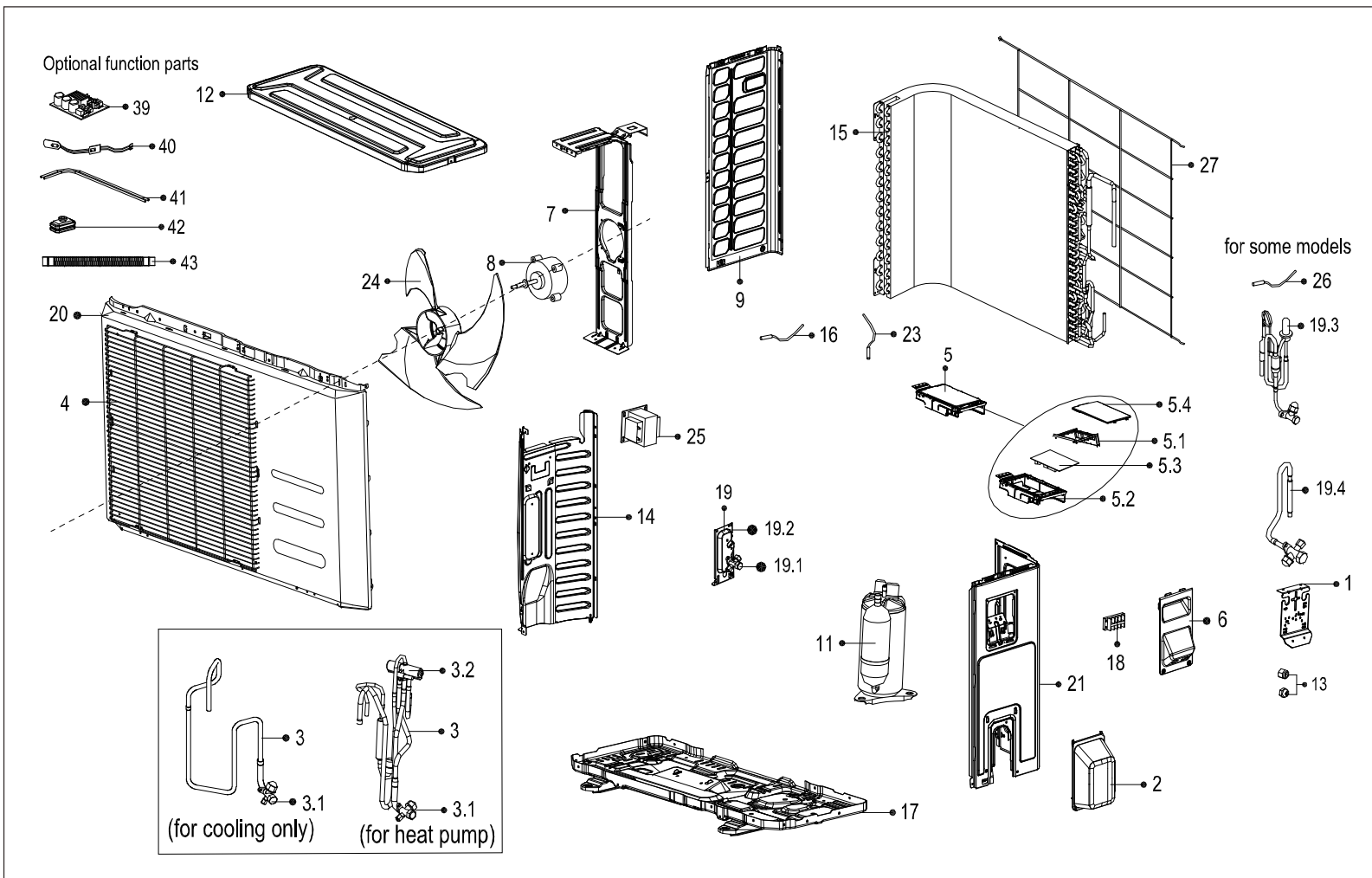
Above prices are subject to S&H charges

DATE 17-03

EXPLODED DIAGRAM - PARTS VIEW

Sales Model: KSIQ024-H216-O

Power Supply: 208-230 V / 1ph / 60 Hz



This information is to be used by qualified HVAC technicians only and is subject to revision without notice

KSIQ024--H216-O - Drawing No. D5IRQ1706

DATE 17-03

KSIQ024-H216-O - SPARE PARTS LIST

No.	Part Number	Part Name	Specifications	Stock No.	Qty.	Price	Remarks
1	12222000004782	Terminal instalation subassembly			1	\$4.62	
2	12122000007150	Water collector			1	\$8.58	
3	15422000004833	4-way valve assembly			1	\$142.85	
3.1	15500204000025	Gas valve			1	\$41.04	DYF-C15N1
3.2	15500216000026	4-way Valve			1	\$72.24	STF-02BN1(VHR)
4	12222000007425	Air outlet grille			1	\$46.61	
5	17222000A23550	Electronic control box subassembly			1	\$334.75	
5.1	12122000014683	Support of electronic control box			1	\$8.32	
5.2	12222000004827	Electronic installing box subassembly			1	\$23.37	
5.3	17122000A15880	Outdoor main control board subassembly			1	\$288.34	
5.4	12122000006856	Electronic installing box subassembly			1	\$21.89	
6	12222000005102	Big handle assembly			1	\$3.70	
7	12222000004923	Supporter subassembly of fan motor			1	\$31.12	
8	11002012005429	Single phase asynchronous motor			1	\$115.08	YKT-63-6-200L
9	12222000004831	Left side plate assembly of cabinet			1	\$30.67	
11	11103020000179	DC Inverter Rotary Compressor			1	\$404.78	ATF235D22UMT
12	12222000004835	Top cover assembly			1	\$49.98	
14	12222000004784	Partition board assembly			1	\$23.37	
15	15822000003636	Condenser Assembly			1	\$209.36	
16	11201007002020	Room Temperature Sensor			1	\$5.41	
17	12222000004824	Chassis assembly			1	\$78.85	
18	17400401000075	Wire joint			1	\$9.50	
19	15422000004852	Liquid valve assembly			1	\$46.10	

This information is to be used by qualified HVAC technicians only and is subject to revision without notice

KSIQ024-H216-O - Parts List No. P5IRQ1706

DATE 17-03

KSIQ024-H216-O - SPARE PARTS LIST

No.	Part Number	Part Name	Specifications	Stock No.	Qty.	Price	Remarks
19.1	15500208000023	Liquid valve			1	20.52	GYF-C24N
19.2	12222000002571	Valve plate			1	4.88	
20	12222000006304	Front panel assembly			1	95.76	
21	12222000004830	Right side plate			1	48.14	
23	11201007000069	Pipe Temperature Sensor			1	5.02	
24	12100105000181	Axial flow fan			1	45.94	ZL-490*151*12-3KN
25	17400306000058	Reactor			1	69.26	R25027(AL)(J)
26	11201007000005	Discharge Temperature Sensor			1	10.92	
27	12222000004833	Rear net			1	20.29	
40	17402001000119	Crankcase electric heater			1	24.28	DJRD-390A-800-25W-1
41	17402002000043	Electric heating tube			1	74.00	DJRG-150W-350-1
43	12100509000059	Drain pipe			1	3.56	PJX1.3-1(L2000)
99	17401203000939	Compressor wire subassembly			1	19.08	

This information is to be used by qualified HVAC technicians only and is subject to revision without notice

KSIQ024-H216-O - Parts List No. P5IRQ1706

DATE 17-03