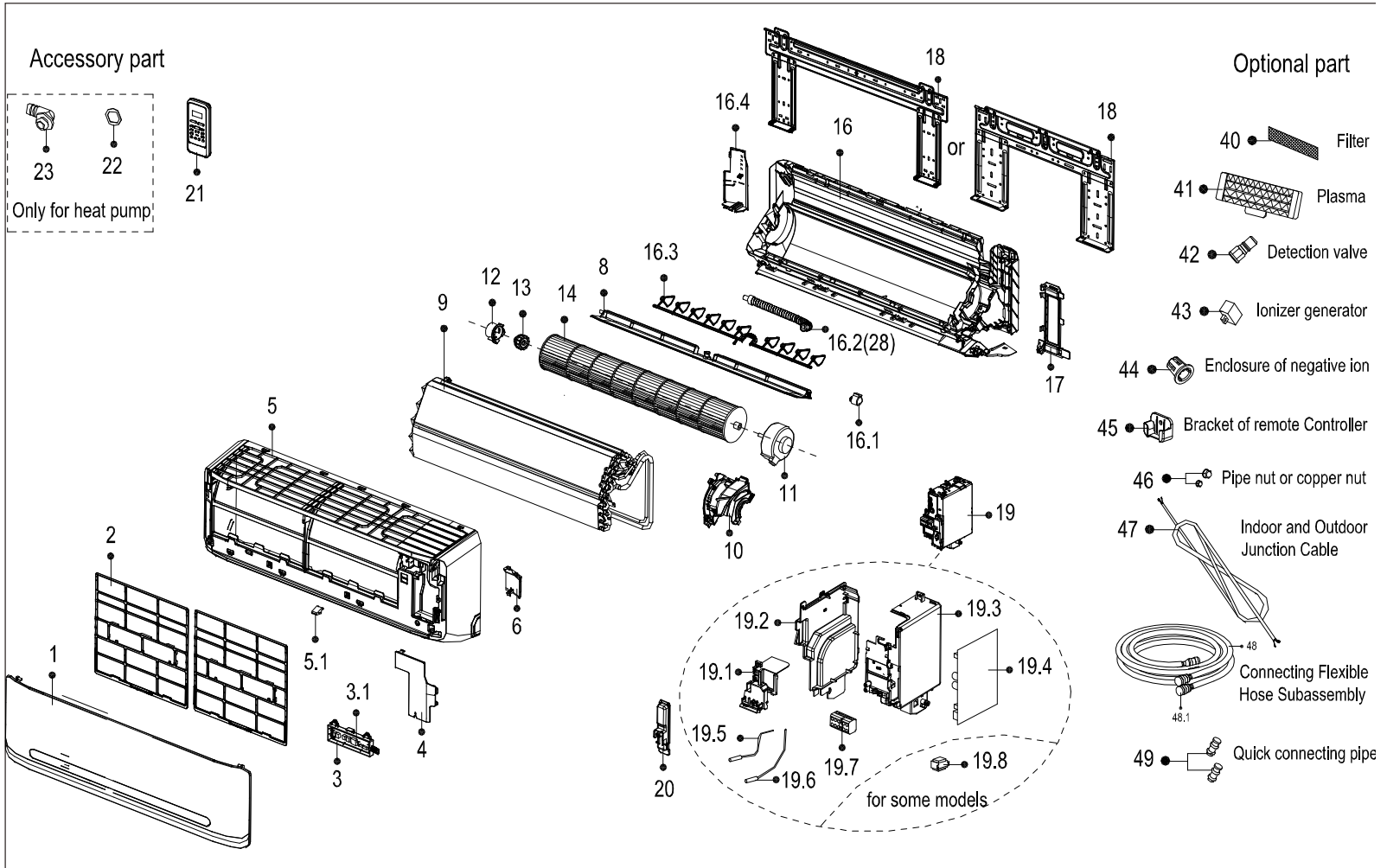


# EXPLODED DIAGRAM - PARTS VIEW

**Sales Model:** KSIQ012-H118-IW

**Power Supply:** 115V~ / 1ph / 60Hz



This information is to be used by qualified HVAC technicians only and is subject to revision without notice

KSIQ012--H118-IW - Drawing No. D5IRQ1701

DATE 17-03

## KSIQ012-H118-IW - SPARE PARTS LIST

No.	Part Number	Part Name	Specifications	Stock No.	Qty.	Price	Remarks
1	12122000A26818	Panel assembly			1	\$42.84	
2	12100204000522	Filter filter subassembly			2	\$7.92	
3	17222000A01295	Display box subassembly			1	\$24.84	
3	17222000A17249	Display box subassembly			1	\$61.51	
3.1	17122000006991	Display board subassembly			1	\$23.04	
3.1	17122000A13927	Display board subassembly			1	\$56.71	
4	12122000006755	Cover of electrical equipment			1	\$4.22	
5	12122000001726	Panel frame assembly			1	\$50.69	
6	12122000004587	Right Cover Plate of Chassis			1	\$0.92	
8	12122000005815	Horizontal louver assembly			1	\$11.28	
9	15822000005499	Evaporator assembly			1	\$157.90	
10	12122000005540	Fan motor cover			1	\$4.09	
11	11002015000031	Brushless DC Motor			1	\$138.89	ZKFP-20-8-5
12	12122000000350	Bearing holder			1	\$0.53	
13	12622000000006	Bearing base			1	\$1.32	
14	12100102000044	Cross flow fan			1	\$39.67	GL-94*605-N
16	12122000011818	Chassis assembly			1	\$93.24	
16.1	11002010000143	Stepper motor			1	\$11.16	SM-24-19-16-8
16.3	12122000000038	Vertical vane subassembly			1	\$2.77	
16.4	12122000010098	Left Cover Plate of Chassis			1	\$1.45	
17	12122000000447	Pipe clamp board			1	\$1.45	
18	12222000000018	Installation Plate			1	\$14.16	
19	17222000A48657	Electronic control box subassby (Mid-and low-end)			1	\$189.84	
19.1	12122000004577	Electronic control box			1	\$1.72	
19.2	12122000004639	Left cover of electronic control box			1	\$6.73	
19.3	12122000004632	Right cover of electronic control box			1	\$10.69	

This information is to be used by qualified HVAC technicians only and is subject to revision without notice

KSIQ012--H118-IW - Parts List No. P5IRQ1701

Above prices are subject to S&H charges

DATE 17-03

## KSIQ012-H118-IW - SPARE PARTS LIST

No.	Part Number	Part Name	Specifications	Stock No.	Qty.	Price	Remarks
19.4	17122000019350	Main control board subassembly			1	\$124.20	
19.5	11201007000085	Room Temperature Sensor			1	\$4.75	CGQ-WD/SW4100-L400-XHP2-P300
19.6	11201007000322	Pipe Temperature Sensor			1	\$4.49	CGQ-WD/GW4100-L350-XAP2-P320
19.7	17400401000006	Wire joint			1	\$9.64	
20	12122000005020	Cover of electronic control box			1	\$0.66	
21	17317000A17821	Order remote controller			1	\$43.21	RG57A6/BGEFU1
22	12600701000039	Seal ring			1	\$0.13	
23	12100509000061	Drain hose			1	\$0.40	
28	12100501000032	Drain Hose			1	\$4.75	
40	12100204000685	Air fresh filter			1	\$1.06	
48	15122000013936	Connection pipe assembly			1	\$530.84	
48.1	15500305000004	Quick connecting pipe			1	\$143.76	KSJT-FB12N(YH)
48.1	15500305000011	Quick connecting pipe			1	\$143.76	KSJT-FB06N(YH)

This information is to be used by qualified HVAC technicians only and is subject to revision without notice

KSIQ012--H118-IW - Parts List No. P5IRQ1701

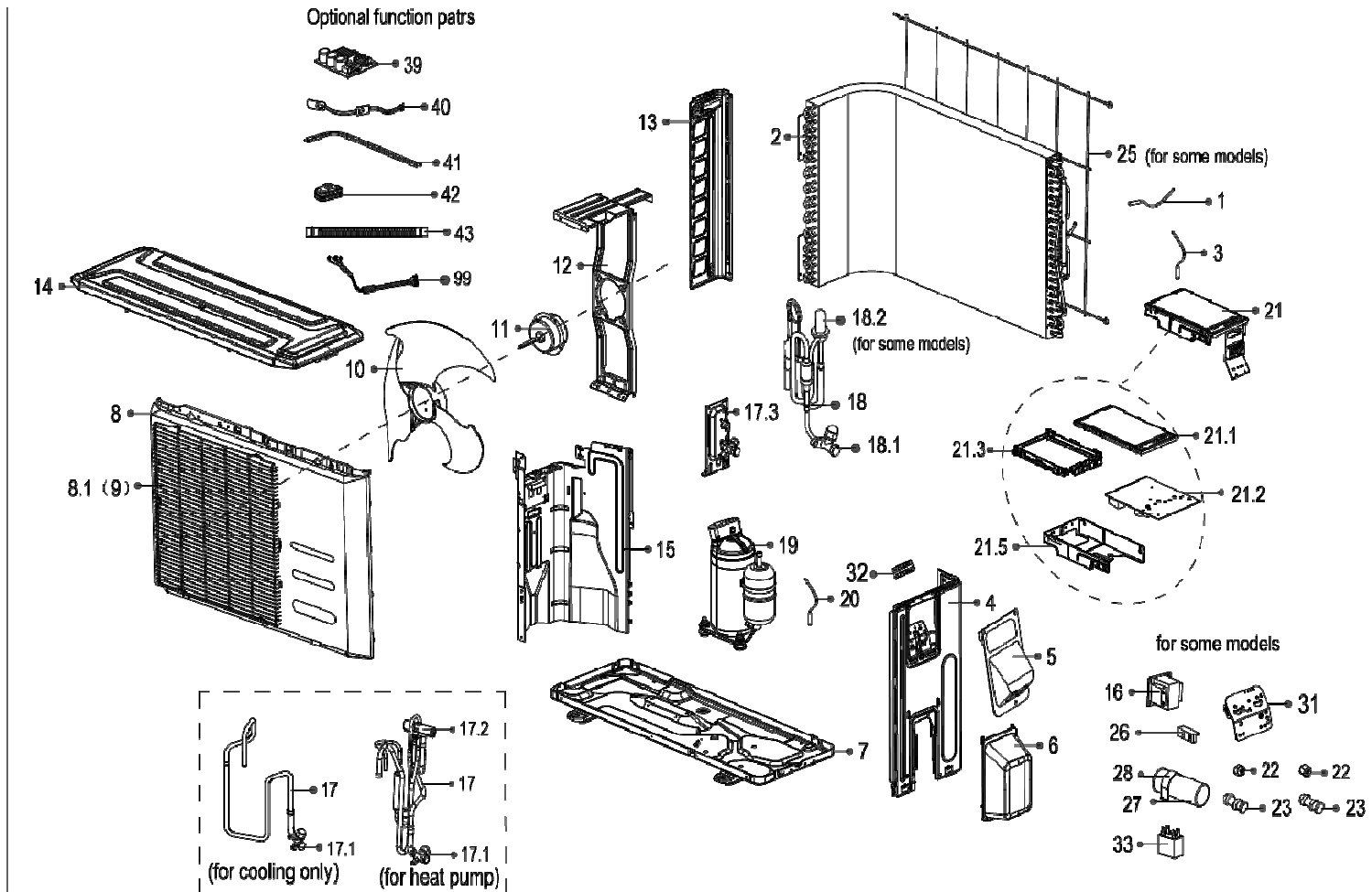
Above prices are subject to S&H charges

DATE 17-03

# EXPLODED DIAGRAM - PARTS VIEW

**Sales Model:** KSIQ012-H118-O

**Power Supply:** 115V / 60Hz



This information is to be used by qualified HVAC technicians only and is subject to revision without notice

KSIQ012--H118-O - Drawing No. D5IRQ1702

DATE 17-03

## KSIQ012-H118-O - SPARE PARTS LIST

No.	Part Number	Part Name	Specifications	Stock No.	Qty.	Price	Remarks
1	11201007002020	Room Temperature Sensor			1	\$5.41	
2	15822000003518	Condenser Assembly			1	\$192.19	
3	11201007000136	Pipe Temperature Sensor			1	\$5.54	
4	12222000006249	Right clapboard assembly			1	\$21.00	
5	12222000005102	Big handle assembly			1	\$3.70	
6	12122000007150	Water collector			1	\$8.58	
7	12222000006485	Chassis Assembly			1	\$26.33	
8	12222000004842	Front panel assembly			1	\$53.96	
9	12222000007424	Air outlet grille			1	\$52.84	
10	12100105000057	Axial flow fan			1	\$27.36	ZL-425*127*8-3KN
11	11002012009440	Single phase asynchronous motor			1	\$78.88	YKT-32-6-202L
12	12222000008924	Supporter subassembly of fan motor			1	\$26.68	
13	12222000006244	Left supporter			1	\$15.60	
14	12222000006246	Top cover assembly			1	\$26.68	
15	12222000004425	Partition board			1	\$12.72	
16	17400306000019	Reactor			1	\$46.21	R1803B(AL)(BP)
17	15422000005212	4-way valve assembly			1	\$128.09	
17.1	15500204000058	Gas valve			1	\$27.47	DYF-B29N
17.2	15500216000341	4-way valve			1	\$70.99	STF-01AN1A
17.3	12222000002571	Valve plate			1	\$4.88	
18	15422000004816	Liquid valve assembly			1	\$35.80	
18.1	15500208000028	Liquid valve			1	\$15.60	GYF-A28N
19	11103020000034	DC Inverter Rotary Compressor			1	\$264.38	ASN98D22UFZ
20	11201007000005	Discharge Temperature Sensor			1	\$10.92	
21	17222000A16648	Electronic control box subassembly			1	\$241.54	
21.1	12222000001455	Cover of electronic control box			1	\$6.73	

This information is to be used by qualified HVAC technicians only and is subject to revision without notice

KSIQ012--H118-O - Parts List No. P5IRQ1702

Above prices are subject to S&H charges

DATE 17-03

## KSIQ012-H118-O - SPARE PARTS LIST

No.	Part Number	Part Name	Specifications	Stock No.	Qty.	Price	Remarks
21.2	17122000A13692	Outdoor main control board subassembly			1	\$206.01	
21.3	12122000006913	Support of electronic control box			1	\$7.39	
21.5	12222000001311	Electronic installing box subassembly			1	\$11.52	
23	15500305000015	Quick connecting pipe			1	\$94.84	
23	15500305000016	Quick connecting pipe			1	\$95.17	
25	12222000003986	Rear Net			1	\$20.76	
27	17400103000052	Capacitor of compressor			1	\$24.84	
28	12200203000007	Capacitor clip			1	\$0.13	
31	12222000002259	Terminal board			1	\$0.40	
32	17400401000035	Wire joint			1	\$9.50	
40	17402001A00008	Crankcase electric heater			1	\$24.60	
43	12100509000059	Drain pipe			1	\$3.56	
99	17401203000802	Compressor wire subassembly			1	\$13.68	

This information is to be used by qualified HVAC technicians only and is subject to revision without notice

KSIQ012--H118-O - Parts List No. P5IRQ1702

Above prices are subject to S&H charges

DATE 17-03