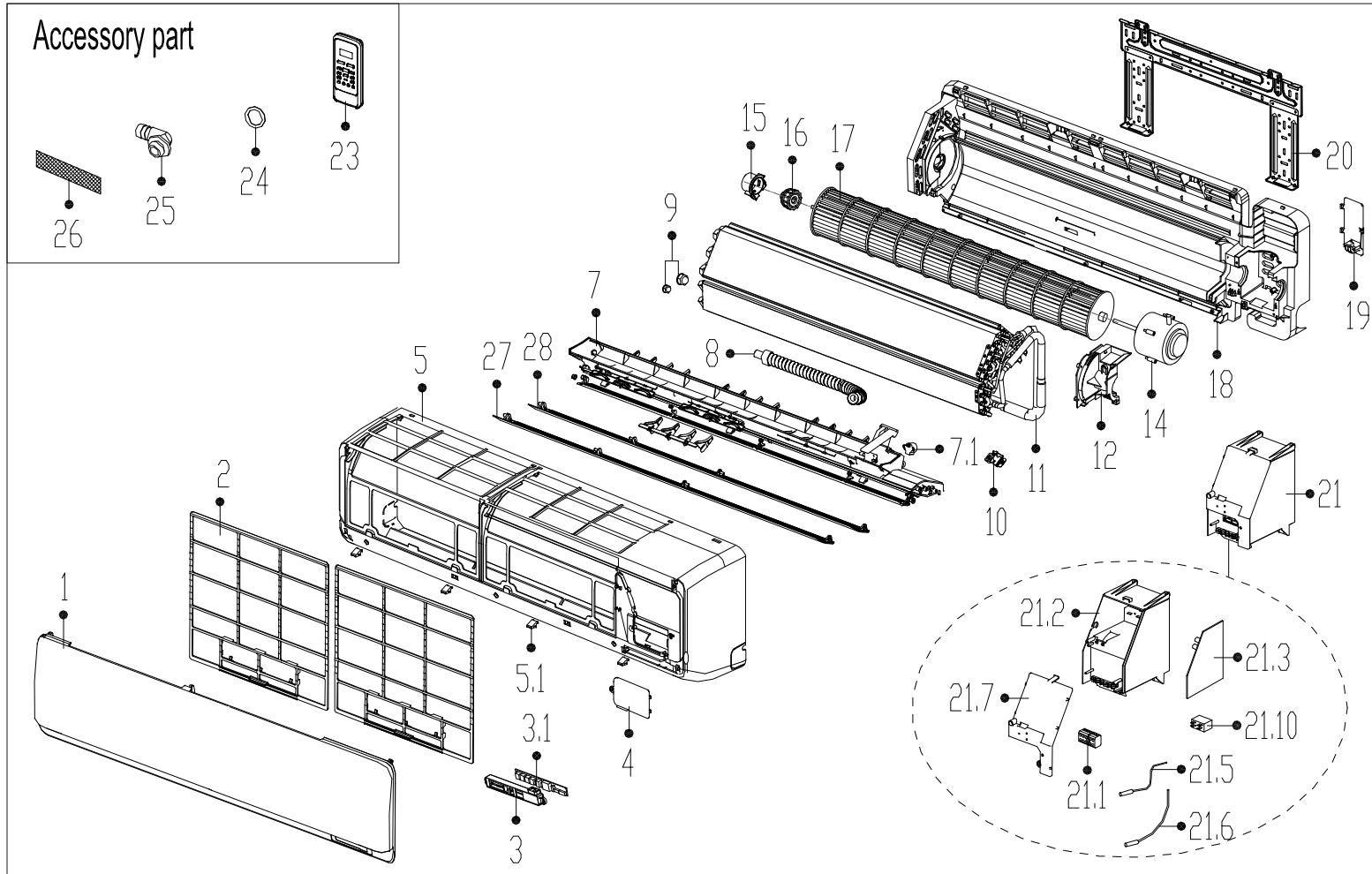


# EXPLODED DIAGRAM - PARTS VIEW

Sales Model : KSIO024-H219-I

Power Supply : 208-230V~ / 1ph / 60Hz



This information is to be used by qualified HVAC technicians only and is subject to revision without notice

KSIO024-H219-I - Drawing No. D2IO1405

DATE 14-03

## KSIO024-H219-I - SPARE PARTS LIST

No.	Part Number	Part Name	Specifications	Stock No.	Qty.	Price	Remarks
1	2011330A5713	Panel assembly			1	\$87.05	
2	201133090992	Air filter			2	\$10.89	
3	2033325A1977	Display box assembly			1	\$32.06	
3.1	2013323A1250	Display board assembly			1	\$29.36	
4	201119901024	Cover of electrical equipment			1	\$5.45	
5	201133090996	Panel frame assembly			1	\$130.94	
5.1	201119900950	Screw cap			4	\$0.33	
7	201133091008	Air outlet assembly			1	\$88.10	
7.1	202400200070	Louver motor			1	\$37.91	
8	201101020038	Drain hose			1	\$6.11	
9	201600320003	Pipe nut			1	\$0.83	
9	201600320001	Pipe nut			1	\$0.66	
10	201102000305	Fix clamp of temperature sensor			1	\$0.33	
11	201533090143	Evaporator assembly			1	\$361.36	
12	201133090991	Fan motor cover			1	\$12.45	
14	202400401301	Asynchronous motor			1	\$207.00	
15	201119900952	Bearing holder			1	\$0.83	
16	202719900606	Bearing base			1	\$2.15	
17	201100200057	Cross flow fan			1	\$83.77	
18	201133090995	Chassis assembly			1	\$130.83	
19	201133090989	Pipe clamp board			1	\$2.64	
20	201232990002	Installation plate			1	\$31.07	
21	203333090523	Electronic control box assembly			1	\$194.13	

This information is to be used by qualified HVAC technicians only and is subject to revision without notice

KSIO024-H219-I - Drawing No. D2IO1405

DATE 14-03

## KSIO024-H219-I - SPARE PARTS LIST

No.	Part Number	Part Name	Specifications	Stock No.	Qty.	Price	Remarks
21.1	202301450119	Wire joint			1	\$8.91	
21.2	201133190200	Electronic control box			1	\$40.47	
21.3	201333090769	Indoor main control board assembly			1	\$102.27	
21.5	202301300210	Ambient temperature sensor assembly			1	\$6.11	
21.6	202301300426	Pipe temperature sensor assembly			1	\$6.27	
21.7	201133190184	Cover of electronic control box			1	\$10.89	
21.8	201333090408	Power module assembly			1	\$56.61	
21.1	202401100354	Fan motor capacitor			1	\$8.91	3.5uF/450V
23	2033550B0251	Remote Controller			1	\$57.63	
24	202720090001	Seal ring			1	\$0.33	
25	201101020011	Drain joint			1	\$0.50	
26	201131410703	Air freshening filter			1	\$1.49	
27	201133090993	Horizontal louver (above)			1	\$19.50	
28	201133090999	Horizontal louver (below)			1	\$15.45	

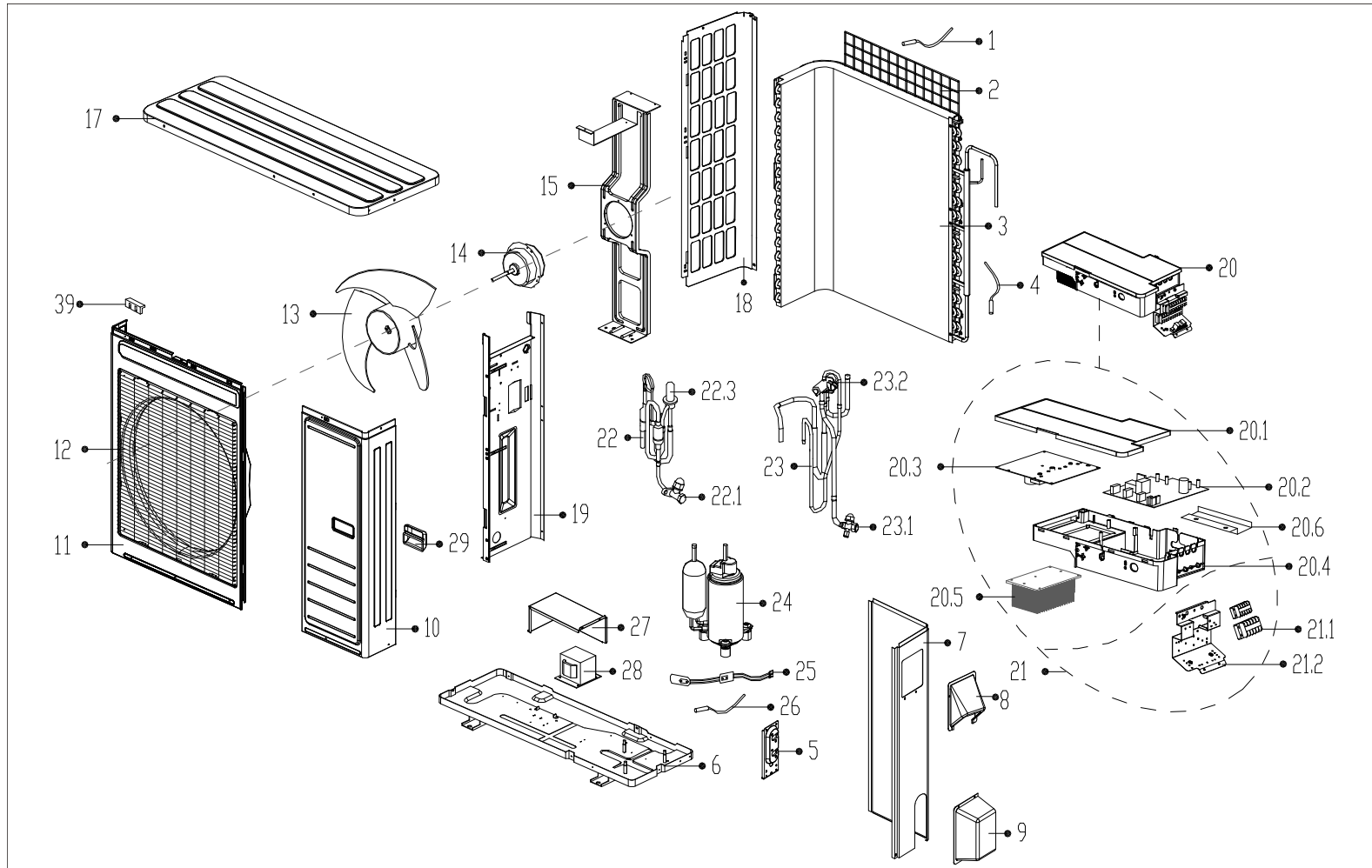
This information is to be used by qualified HVAC technicians only and is subject to revision without notice

KSIO024-H219-I - Drawing No. D2IO1405

DATE 14-03

# EXPLODED DIAGRAM - PARTS VIEW

**Sales Model:** KSIO024-H219-O  
**Power Supply:** 208-230V~ / 1ph / 60Hz



This information is to be used by qualified HVAC technicians only and is subject to revision without notice

KSIO024-H219-O - Drawing No. D11O1404

DATE 14-03

## KSIO024-H219-O - SPARE PARTS LIST

No.	Part Number	Part Name	Specifications	Stock No.	Qty.	Price	Remarks
1	202301310075	Ambient temperature sensor assembly			1	\$5.94	
2	201248200136	Rear net			1	\$30.92	
3	201538090077	Condenser assembly			1	\$541.49	
4	202301300111	Pipe temperature sensor assembly			1	\$8.58	
5	201248300316	Valve plate			1	\$10.50	
6	201257190085	Chassis assembly			1	\$118.44	
7	201238090067	Rear right clapboard assembly			1	\$78.29	
8	201237390104	Big handle			1	\$9.41	
9	201138090002	Water collector			1	\$9.08	
10	201248200082	Front right clapboard assembly			1	\$76.86	
11	201248200132	Front panel			1	\$100.17	
12	201238090068	Air outlet grille			1	\$43.75	
13	201100300527	Axial flow fan			1	\$79.05	
14	202400300047	Asynchronous motor			1	\$262.08	WZDK72-38G
15	201257190071	Supporter assembly of fan motor			1	\$72.66	
17	201248300309	Top cover assembly			1	\$73.57	
18	201248400034	Left supporter			1	\$50.49	
19	201257190115	Partition board assembly			1	\$59.42	
20	203338090316	Electronic control box assembly			1	\$547.05	
20.1	201157190011	Cover of electronic control box			1	\$36.05	
20.2	201338090071	Main control board assembly			1	\$195.68	
20.3	201357190085	Inverter control board assembly			1	\$350.28	
20.4	201157190010	Installation board for E-parts			1	\$73.70	
20.5	202301901173	Radiator			1	\$83.48	

This information is to be used by qualified HVAC technicians only and is subject to revision without notice

KSIO024-H219-O - Parts List No. P1101404

Above prices are subject to S&H charges

DATE 14-03

## KSIO024-H219-O - SPARE PARTS LIST

No.	Part Number	Part Name	Specifications	Stock No.	Qty.	Price	Remarks
20.6	201295200010	Installation plate of PCB			1	\$2.64	
21	203338090315	Terminal board assembly			1	\$46.31	
21.1	202301400556	Wire joint			1	\$11.10	
21.2	201257190120	Terminal board			1	\$7.92	
22	201638091091	Liquid valve assembly			1	\$220.52	
22.1	201600740706	Liquid valve			1	\$29.36	
22.3	201601300032	Electronic expansion valve			1	\$189.07	
23	201638091121	4-way valve assembly			1	\$198.54	
23.1	201600720398	Gas valve			1	\$56.99	
23.2	201600600119	4-Ways valve			1	\$105.53	
24	201400601740	Compressor			1	\$688.85	DA250S2C-30MT
25	202403101715	Crankcase electric heater			1	\$36.34	
26	202448200000	Discharge temperature sensor assembly			1	\$17.10	
27	201248390003	Cover of inductance			1	\$15.15	
28	202301000943	Reactor			1	\$113.51	
29	201148700009	Small Handle			2	\$2.31	
39	201135110801	Clamp of front net			8	\$0.33	

This information is to be used by qualified HVAC technicians only and is subject to revision without notice

KSIO024-H219-O - Parts List No. P1I01404

Above prices are subject to S&H charges

DATE 14-03