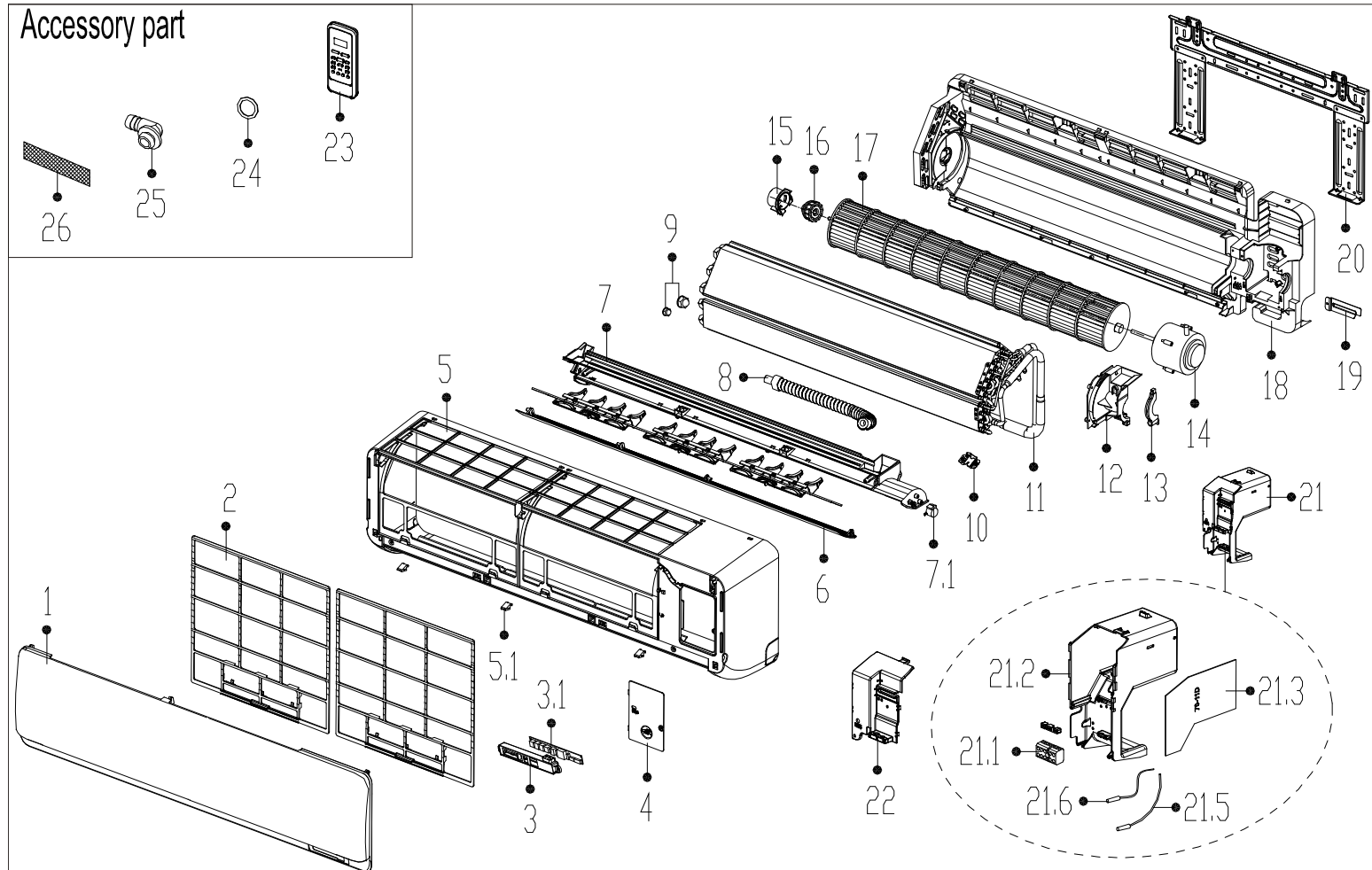


# EXPLODED DIAGRAM - PARTS VIEW

Sales Model: KSIO018-H221-I

Power Supply: 208-230V~ / 1ph / 60Hz



This information is to be used by qualified HVAC technicians only and is subject to revision without notice

KSIO018-H221-I - Drawing No. D2IO1403

DATE 14-03

## KSIO018-H221-I - SPARE PARTS LIST

No.	Part Number	Part Name	Specifications	Stock No.	Qty.	Price	Remarks
1	2011328A2353	Panel assembly			1	\$79.18	
2	201132890670	Air filter			2	\$8.42	
3	2033325A1977	Display box assembly			1	\$32.06	
3.1	2013323A1250	Display board assembly			1	\$29.36	
4	201133091048	Cover of electrical equipment			1	\$9.74	
5	201132890673	Panel frame assembly			1	\$81.48	
5.1	201119900950	Screw cap			3	\$0.33	
6	201132890671	Horizontal louver			1	\$20.70	
7	201132890677	Air outlet assembly			1	\$73.44	
7.1	202400200120	Louver motor			1	\$24.60	MP30EA4
8	201101020038	Drain hose			1	\$6.11	
9	201600320000	Pipe nut			1	\$0.33	
9	201600320002	Pipe nut			1	\$0.66	
10	201102000305	Fix clamp of temperature sensor			1	\$0.33	
11	201532890153	Evaporator assembly			1	\$272.22	
12	201133090980	Fan motor cover			1	\$5.94	
13	201133090167	Fixing board of fan motor			1	\$1.32	
14	202400300064	Brushless DC Motor			1	\$243.95	WZDK58-38G
15	201119900952	Bearing holder			1	\$0.83	
16	202719900606	Bearing base			1	\$2.15	
17	201100200056	Cross flow fan			1	\$55.76	
18	201132890703	Chassis assembly			1	\$101.85	
19	201232800103	Pipe clamp board			1	\$1.49	

This information is to be used by qualified HVAC technicians only and is subject to revision without notice

KSIO018-H221-I - Parts List No. P2IO1403

Above prices are subject to S&H charges

DATE 14-03

## KSIO018-H221-I - SPARE PARTS LIST

No.	Part Number	Part Name	Specifications	Stock No.	Qty.	Price	Remarks
20	201232590038	Installation plate			1	\$22.05	
21	203332890569	Electronic control box assembly			1	\$160.65	
21.1	202301450119	Wire joint			1	\$8.91	
21.2	201133090976	Electronic control box			1	\$27.79	
21.3	201332890610	Indoor main control board assembly			1	\$126.09	
21.5	202432390005	Ambient temperature sensor assembly			1	\$4.95	
21.6	202301300584	Pipe temperature sensor assembly			1	\$7.10	
22	201133090981	Cover of electronic control box			1	\$4.95	
23	2033550B0251	Remote Controller			1	\$57.63	
24	202720090001	Seal ring			1	\$0.33	
25	201101020011	Drain joint			1	\$0.50	
26	201131410703	Air freshening filter			1	\$1.49	

This information is to be used by qualified HVAC technicians only and is subject to revision without notice

KSIO018-H221-I - Parts List No. P2IO1403

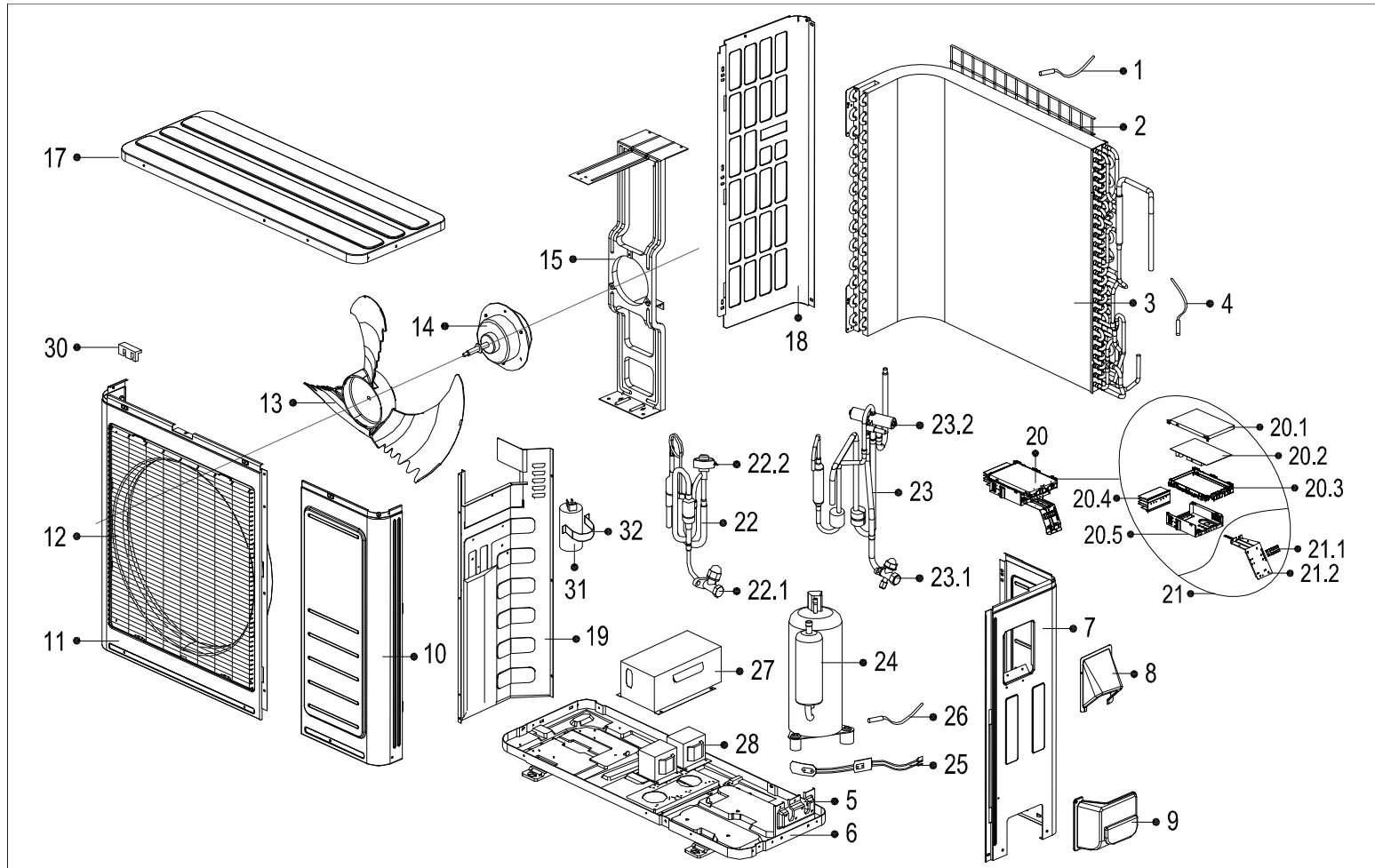
Above prices are subject to S&H charges

DATE 14-03

# EXPLODED DIAGRAM - PARTS VIEW

Sales Model: KSIO018-H221-O

Power Supply: 208-230V~ / 1ph / 60Hz



This information is to be used by qualified HVAC technicians only and is subject to revision without notice

KSIO018-H211-O - Drawing No. D11O1403

DATE 14-03

## KSIO018-H221-O - SPARE PARTS LIST

No.	Part Number	Part Name	Specifications	Stock No.	Qty.	Price	Remarks
1	202301310075	Ambient temperature sensor assembly			1	\$5.94	
2	201248100375	Rear net			1	\$26.79	
3	201537890068	Condenser assembly			1	\$427.56	
4	202440500004	Pipe temperature sensor assembly			1	\$7.76	
5	201237300316	Valve plate			1	\$9.41	
6	201257090054	Chassis assembly			1	\$100.91	
7	201237890100	Rear right clapboard assembly			1	\$58.91	
8	201237390104	Big handle			1	\$9.41	
9	201137390017	Water collector			1	\$7.92	
10	201248100389	Front right clapboard assembly			1	\$56.48	
11	201248100356	Front panel			1	\$72.17	
12	201237890112	Air outlet grille			1	\$42.18	
13	201100300553	Axial flow fan			1	\$70.25	ZL-460*180*10-3N
14	202400300535	Brushless DC Motor			1	\$250.26	WZDK50-38G
15	201257090067	Supporter assembly of fan motor			1	\$69.62	
17	201248100363	Top cover assembly			1	\$57.89	
18	201248100364	Left supporter			1	\$34.20	
19	201237790031	Partition board assembly			1	\$54.70	
20	203337890346	Electronic control box assembly			1	\$361.31	
20.1	201237300162	Cover of electronic control box			1	\$10.40	
20.2	201337890039	Outdoor main control board assembly			1	\$374.64	
20.3	201137300162	Support of electronic control box			1	\$8.25	
20.4	202301900112	Radiator			1	\$67.45	
20.5	201237300318	Electronic installing box			1	\$10.05	

This information is to be used by qualified HVAC technicians only and is subject to revision without notice

KSIO018-H221-O - Parts List No. P1101403

Above prices are subject to S&H charges

DATE 14-03

## KSIO018-H221-O - SPARE PARTS LIST

No.	Part Number	Part Name	Specifications	Stock No.	Qty.	Price	Remarks
21	203337990161	Terminal board assembly			1	\$61.84	
21.1	202301400256	Wire joint			1	\$32.63	
21.2	201237890064	Terminal board			1	\$7.43	
22	201637891245	Liquid valve assembly			1	\$155.88	
22.1	201600700078	Liquid valve			1	\$24.08	
22.2	201601300554	Electronic expansion valve assembly			1	\$134.19	
23	201637891247	4-ways valve assembly			1	\$214.56	
23.1	201600720194	Gas valve			1	\$47.17	DYF-B17N1
23.2	201600690011	4-ways valve			1	\$105.11	STF-02BN1
24	201400603269	Compressor			1	\$505.16	DA130M1C-31FZ
25	202403100501	Crankcase electric heater			1	\$34.77	
26	202301310068	Discharge temperature sensor assembly			1	\$10.65	
27	201248090001	Cover of inductance			1	\$17.25	
28	202301000820	Reactor			1	\$77.90	
28	202301000819	Reactor			1	\$72.93	
30	201135110801	Clamp of front net			8	\$0.33	
31	202401000078	Capacitor of compressor			1	\$38.62	35uF/450V-50-P2(2000h)
32	201200100002	Capacitor clip			1	\$0.50	

This information is to be used by qualified HVAC technicians only and is subject to revision without notice

KSIO018-H221-O - Parts List No. P11O1403

Above prices are subject to S&H charges

DATE 14-03