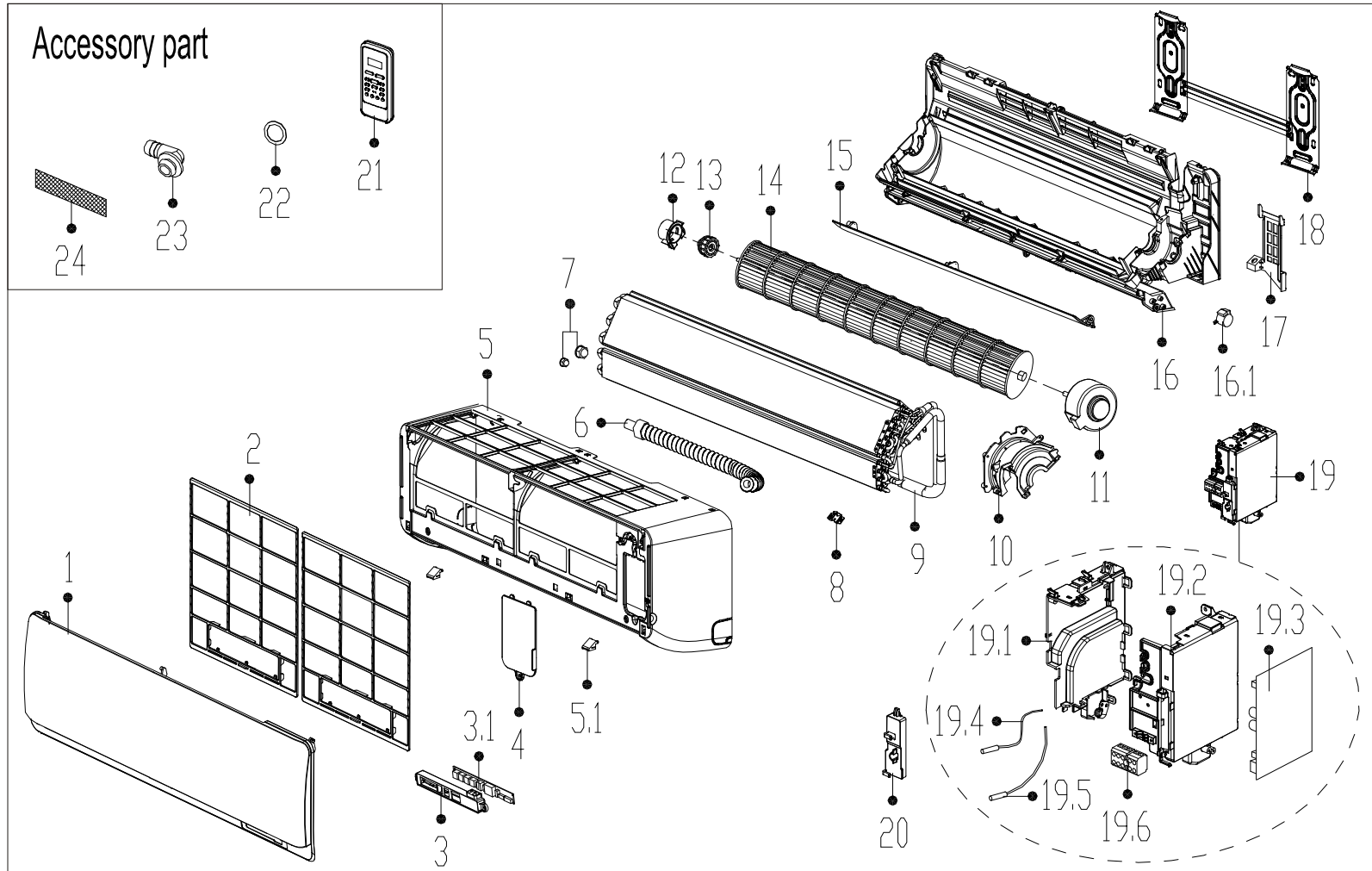


# EXPLODED DIAGRAM - PARTS VIEW

**Sale Model:** KSIO012-H123-I

**Power Supply:** 115V~ 60Hz



This information is to be used by qualified HVAC technicians only and is subject to revision without notice

KSIO012-H123-I - Drawing No. D2IO1402

DATE 14-03

## KSIO012-H123-I - SPARE PARTS LIST

No.	Part Number	Part Name	Specifications	Stock No.	Qty.	Price	Remarks
1	2011325A5336	Panel assembly			1	\$58.52	
2	201132590962	Air filter			2	\$7.76	
3	2033325A1977	Display box assembly			1	\$32.06	
3.1	2013323A1250	Display board assembly			1	\$29.36	
4	201119901024	Cover of electrical equipment			1	\$5.45	
5	201132591059	Panel frame assembly			1	\$76.25	
5.1	201119900950	Screw cap			2	\$0.33	
6	201101020038	Drain hose			1	\$6.11	
7	201600320001	Pipe nut			1	\$0.66	5/8"-18UNF
7	201600320000	Pipe nut			1	\$0.33	7/16"-20UNF
8	201102000305	Fix clamp of temperature sensor			1	\$0.33	
9	201532590453	Evaporator assembly			1	\$256.97	
10	201132490127	Fan motor cover			1	\$6.11	
11	202400300541	Brushless DC Motor			1	\$202.41	WZDK20-38M
12	201119900952	Bearing holder			1	\$0.83	
13	202719900606	Bearing base			1	\$2.15	
14	201100200054	Cross flow fan			1	\$51.77	
15	201132590956	Horizontal louver			1	\$15.30	
16	201132590963	Chassis assembly			1	\$113.30	
16.1	202400200031	Louver motor			1	\$15.90	MP24GA5
17	201119991000	Pipe clamp board			1	\$2.15	
18	201232590037	Installation plate			1	\$14.40	
19	203332591255	Electronic control box assembly			1	\$148.86	
19.1	201132490125	Electronic control box I			1	\$9.74	

This information is to be used by qualified HVAC technicians only and is subject to revision without notice

KSIO012-H123-I - Parts List No. P2IO1402

Above prices are subject to S&H charges

DATE 14-03

## KSIO012-H123-I - SPARE PARTS LIST

No.	Part Number	Part Name	Specifications	Stock No.	Qty.	Price	Remarks
19.2	201132490139	Electronic control box II			1	\$12.90	
19.3	201332591284	Indoor main control board assembly			1	\$131.25	
19.4	202433190000	Ambient temperature sensor assembly			1	\$4.79	
19.5	202301300584	Pipe temperature sensor assembly			1	\$7.10	
19.6	202301450119	Wire joint			1	\$8.91	
20	201132490126	Cover of electronic control box			1	\$1.32	
21	2033550B0251	Remote Controller			1	\$57.63	
22	202720090001	Seal ring			1	\$0.33	
23	201101020011	Drain joint			1	\$0.50	
24	201131410703	Air freshening filter			1	\$1.49	

This information is to be used by qualified HVAC technicians only and is subject to revision without notice

KSIO012-H123-I - Parts List No. P2IO1402

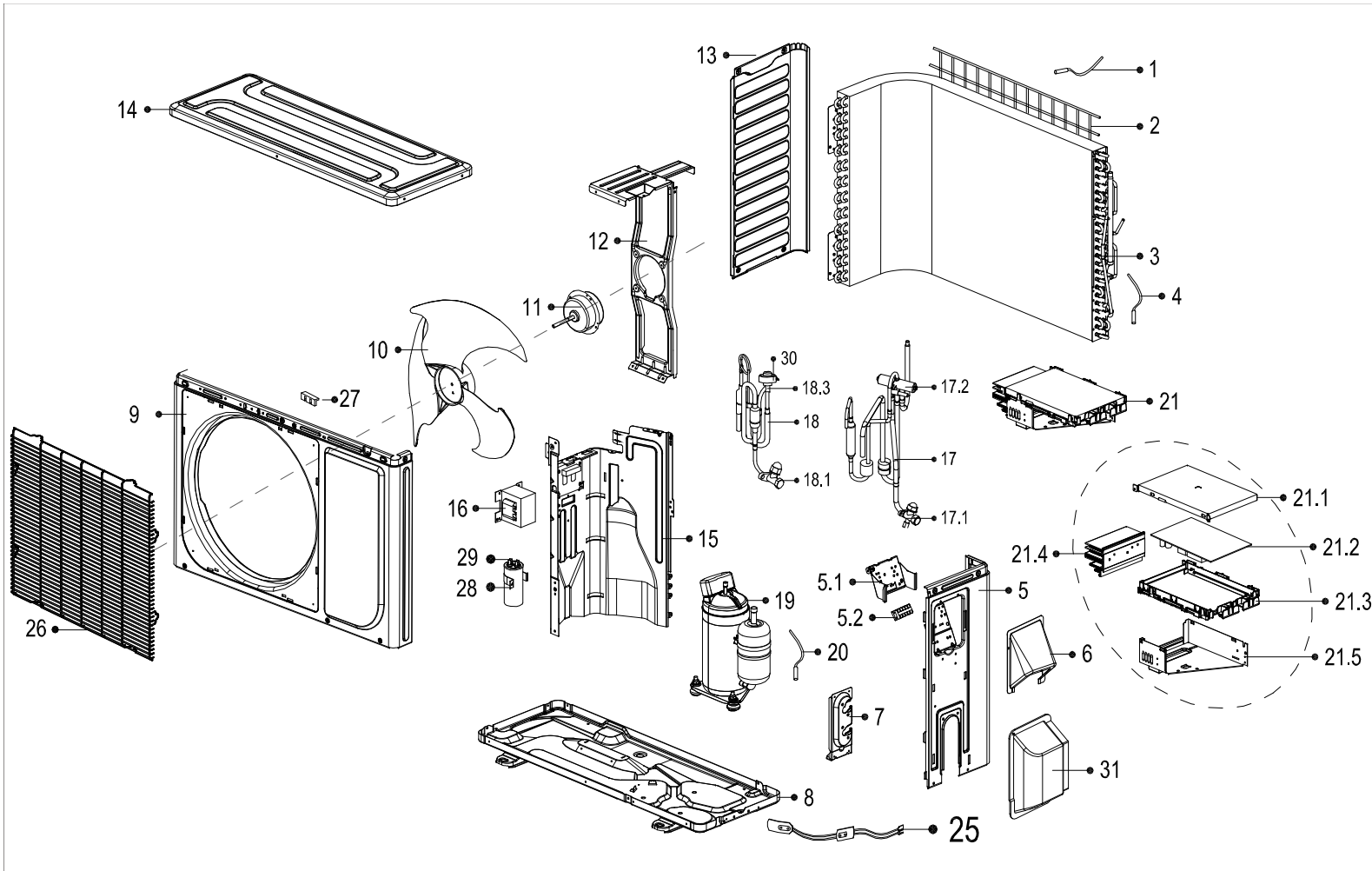
Above prices are subject to S&H charges

DATE 14-03

# EXPLODED DIAGRAM - PARTS VIEW

Sale Model: KSIO012-H123-O

Power Supply: 115V~ 60Hz



This information is to be used by qualified HVAC technicians only and is subject to revision without notice

KSIO012-H123-O - Drawing No. D11O1402

DATE 14-03

## KSIO012-H123-O - SPARE PARTS LIST

No.	Part Number	Part Name	Specifications	Stock No.	Qty.	Price	Remarks
1	202301300476	Ambient temperature sensor assembly			2	\$6.11	
2	201237800130	Rear net			1	\$29.10	
3	201537390188	Condenser assembly			1	\$343.80	
4	202440500004	Pipe temperature sensor assembly			1	\$7.76	
5	201237800131	Right clapboard assembly			1	\$73.40	
5.1	201237700036	Installation plate of electric parts			1	\$3.14	
5.2	202301400482	Wire joint			1	\$34.20	
6	201237390104	Big handle			1	\$9.41	
7	201237200299	Valve plate			1	\$8.42	
8	201237800020	Chassis assembly			1	\$79.38	
9	201237800135	Front panel			1	\$73.71	
10	201100300533	Axial flow fan			1	\$36.90	
11	202400310117	Brushless DC Motor			1	\$213.71	WZDK40-38G-1
12	201237800122	Supporter assembly of fan motor			1	\$22.95	
13	201237800129	Left supporter			1	\$33.90	
14	201237800126	Top cover assembly			1	\$68.72	
15	201237700033	Partition board assembly			1	\$41.70	
16	202301000860	Reactor			1	\$72.55	
17	201637391705	4-Ways valve assembly			1	\$194.67	
17.1	201600720095	Gas valve			1	\$39.00	
17.2	201600690008	4-Ways valve			1	\$91.77	
18	201637391706	Liquid valve assembly			1	\$129.68	
18.1	201600740523	Liquid valve			1	\$26.55	

This information is to be used by qualified HVAC technicians only and is subject to revision without notice

KSIO012-H123-O - Parts List No. P1101402

Above prices are subject to S&H charges

DATE 14-03

## KSIO012-H123-O - SPARE PARTS LIST

No.	Part Number	Part Name	Specifications	Stock No.	Qty.	Price	Remarks
18.3	201601300119	Electronic expansion valve			1	\$79.07	
19	201400611191	Compressor			1	\$489.67	ASM108D1UFZA
20	202301300103	Discharge temperature sensor assembly			1	\$15.00	
21	203337490054	Electronic control box assembly			1	\$293.28	
21.1	201237300162	Cover of electronic control box			1	\$10.40	
21.2	201337390265	Outdoor power board assembly			1	\$270.36	
21.3	201137300162	Support of electronic control box			1	\$8.25	
21.4	202301990015	Radiator			1	\$39.05	
21.5	201237390055	Electronic installing box			1	\$11.55	
25	202403100508	Crankcase electric heater			1	\$40.33	DJRD-358A-1000-20W-2
26	2012378A0039	Air outlet grille			1	\$51.13	
27	201135110801	Clamp of front net			8	\$0.33	
28	202401090021	Capacitor of compressor			1	\$38.62	45uF/250V
29	201200100026	Capacitor clip			1	\$0.33	
30	201601300107	Electronic expansion valve Solenoid			1	\$61.84	
31	201137400000	Water collector			1	\$10.56	

This information is to be used by qualified HVAC technicians only and is subject to revision without notice

KSIO012-H123-O - Parts List No. P1101402

Above prices are subject to S&H charges

DATE 14-03