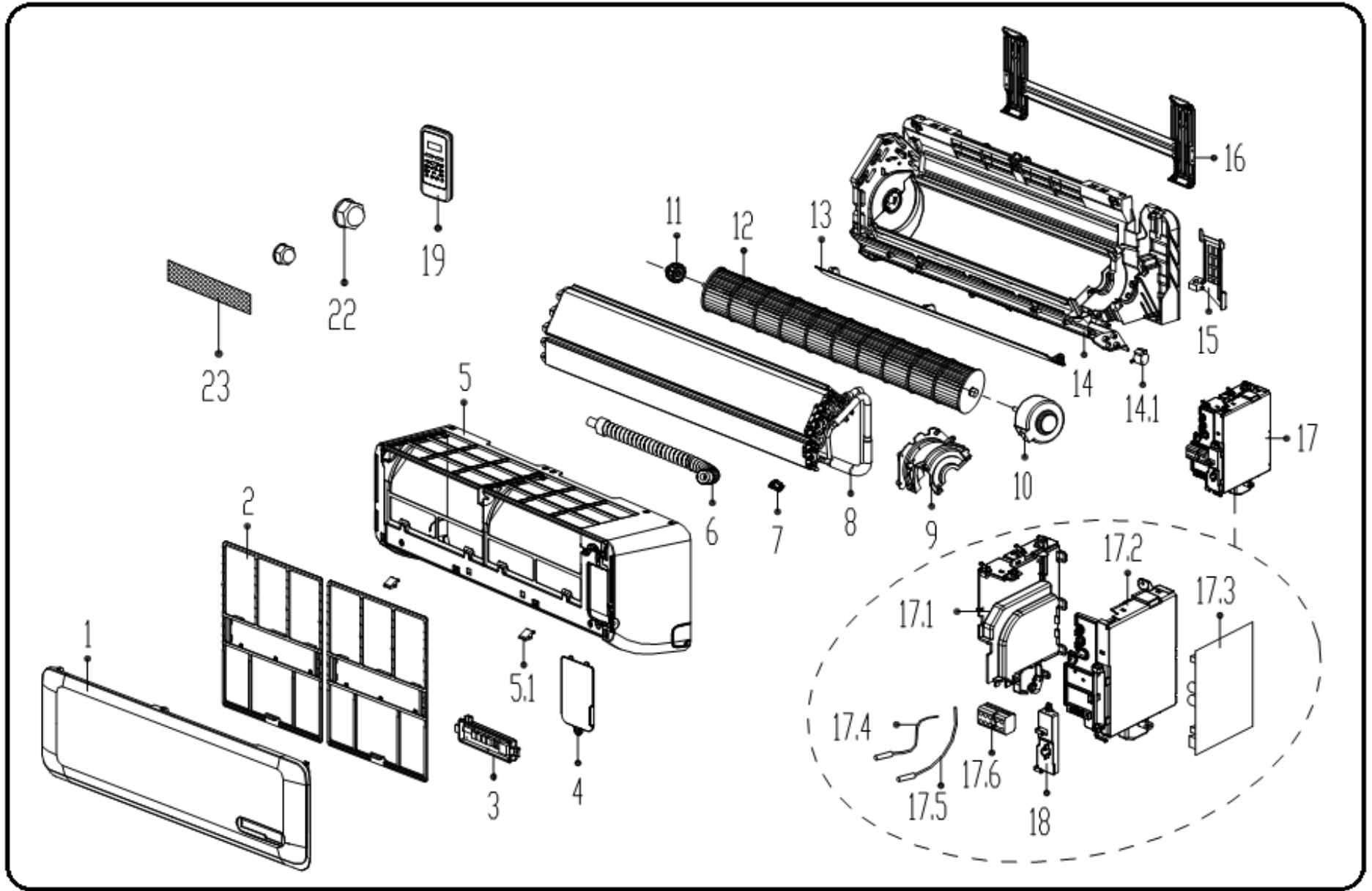


EXPLODED DIAGRAM - PARTS VIEW

Model : K SIN018-C215-I
Power Supply : 208-230V~ 60Hz 1ph

M12A



This information is to be used by qualify AC technicians only
Above information subject to revision without notice

K SIN18C2- Drawing No. D2INC25181301
DATE 13-01

KSIN018-C215-I - SPARE PARTS LIST

Item No.	Part No.	Part Name	Specifications	Stock No.	Qty	Price	Remarks
1	201132790646	Panel assembly		M12A0646	1	\$ 34.13	
2	201132790644	Air filter		M12A0644	2	\$ 6.27	
3	203332590981	Display box assembly		M12A0981	1	\$ 24.51	
4	201119900948	Cover of indoor electronic control box		M12A0948	1	\$ 3.14	
5	201132790641	Panel frame assembly		M12A0641	1	\$ 73.06	
5.1	201119900950	Screw cap		M12A0950	2	\$ 3.14	
6	201101020038	Drain hose		M12A0038	1	\$ 6.27	
7	201102000305	Fix clamp of temperature sensor		M12A0305	1	\$ 3.14	
8	201532790079	Evaporator assembly		M12A0079	1	\$ 247.73	
9	201132790645	Fan motor cover		M12A0645	1	\$ 6.27	
10	202400300419	Asynchronous motor		M12A0419	1	\$ 134.51	
11	202719900606	Bearing base		M12A0606	1	\$ 3.14	
12	201100200052	Cross flow fan		M12A0052	1	\$ 51.13	
13	201132790643	Horizontal louver		M12A0643	1	\$ 17.25	
14	201132790642	Chassis assembly		M12A0642	1	\$ 104.37	
14.1	202400200031	Louver motor		M12A0031	1	\$ 14.40	
15	201119900949	Pipe clamp board		M12A0949	1	\$ 3.14	
16	201232790013	Installation plate		M12A0013	1	\$ 14.25	
17	203332591085	Electronic control box assembly		M12A1085	1	\$ 143.46	
17.1	201132490125	Electronic control box I		M12A0125	1	\$ 9.41	
17.2	201132490124	Electronic control box II		M12A0124	1	\$ 14.40	
17.3	201332590945	Main control board assembly		M12A0945	1	\$ 131.46	
17.4	202433190000	Ambient temperature sensor assembly		M12A0000	1	\$ 3.14	
17.5	202301300584	Pipe temperature sensor assembly		M12A0584	1	\$ 6.27	
17.6	202301400488	Wire joint		M12A0488	1	\$ 9.41	
18	201132490126	Cover of electronic control box		M12A0126	1	\$ 3.14	
19	203355091469	Remote Controller		M12A1469	1	\$ 29.93	
22	201600330003	Pipe Nut		M12A0003	1	\$ 3.14	
22	201600330001	Pipe Nut		M12A0001	1	\$ 3.14	
23	201131410703	Air cleaner		M12A0703	1	\$ 3.14	

This information is to be used by qualify technicians only

Above prices, numbers, specifications subject to revision without notice

Above prices are subject S & H charges

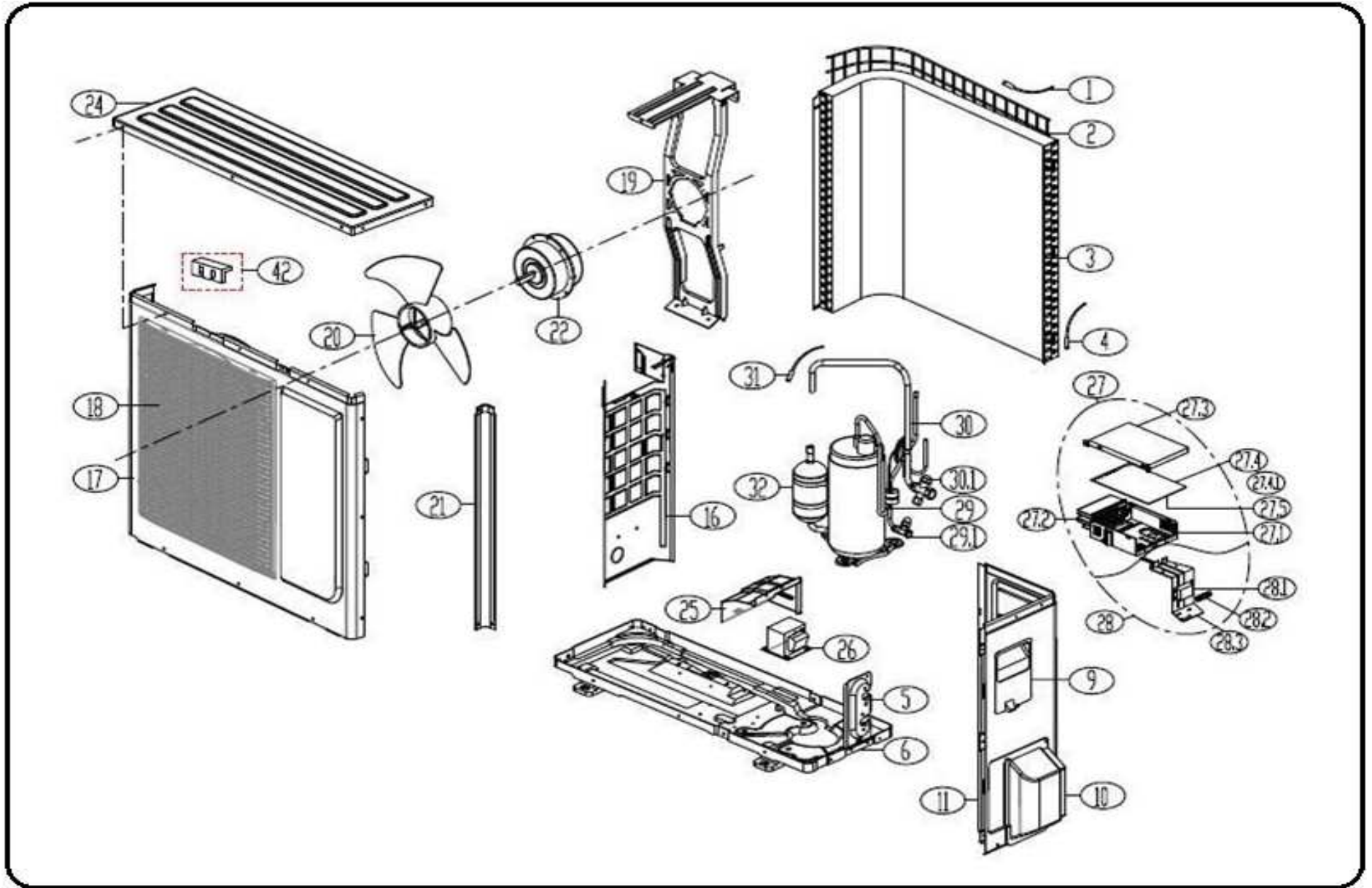
KSIN18C2- Part list No. P2INC25181301

DATE 13-01

EXPLODED DIAGRAM - PARTS VIEW

Model : KSIN018-C215-O
Power Supply : 208-230V~ 60Hz 1ph

M12B



This information is to be used by qualify AC technicians only
Above information subject to revision without notice

KSIN18C2- Drawing No. D11NC25181301

DATE 13-01

KSIN018-C215-O - SPARE PARTS LIST

Item No.	Part No.	Part Name	Specifications	Stock No.	Qty	Price	Remarks
1	202301310075	Ambient temperature sensor assembly		M12B0075	1	\$ 5.70	
2	2011374G0003	Rear net		M12B0003	1	\$ 6.27	
3	201537890045	Condenser assembly		M12B0045	1	\$ 269.46	
4	202440500004	Pipe temperature sensor assembly		M12B0004	1	\$ 6.27	
5	201237200282	Valve plate		M12B0282	1	\$ 6.27	
6	201237890110	Chassis assembly		M12B0110	1	\$ 80.22	
9	201237390104	Big handle		M12B0104	1	\$ 11.40	
10	201137400000	Water collector		M12B0000	1	\$ 11.40	
11	201237590080	Rear right clapboard assembly		M12B0080	1	\$ 48.71	
16	20123789G003	Partition board assembly		M12BG003	1	\$ 32.63	
17	201237890111	Front panel		M12B0111	1	\$ 75.48	
18	201237890117	Air outlet grille		M12B0117	1	\$ 32.63	
19	201237890080	Supporter assembly of fan motor		M12B0080	1	\$ 32.63	
20	201100300514	Axial flow fan		M12B0514	1	\$ 43.18	
21	201237400400	Left supporter		M12B0400	1	\$ 9.41	
22	202400400171	Asynchronous motor		M12B0171	1	\$ 197.82	
24	201237900028	Top cover assembly		M12B0028	1	\$ 48.58	
25	20123789G002	Cover of inductance		M12BG002	1	\$ 9.41	
26	202301000903	Reactance		M12B0903	1	\$ 78.23	
27	203337890327	Electronic control box assembly		M12B0327	1	\$ 331.26	
27.1	201237300033	Electronic control box		M12B0033	1	\$ 9.41	
27.2	202301990015	Radiator		M12B0015	1	\$ 46.31	
27.3	201237300162	Cover of electronic control box		M12B0162	1	\$ 9.41	
27.4	201337790071	Main control board assembly		M12B0071	1	\$ 305.94	
27.4.1	202401200152	Fan motor capacitor	2.5uF/450V(BP)	M12B0152	1	\$ 6.27	
27.5	201137300162	Supporter of electronic control box		M12B0162	1	\$ 9.41	

This information is to be used by qualify technicians only

KSIN18C2- Part list No. P1INC25181301

Above prices, numbers, specifications subject to revision without notice

DATE 13-01

Above prices are subject S & H charges

KSIN018-C215-O - SPARE PARTS LIST

Item No.	Part No.	Part Name	Specifications	Stock No.	Qty	Price	Remarks
28	203337590049	Terminal board assembly		M12B0049	1	\$ 46.28	
28.1	202301400223	Wire joint		M12B0223	1	\$ 14.40	
28.2	201137300185	Insulation plate		M12B0185	1	\$ 3.14	
28.3	201237590046	Terminal board		M12B0046	1	\$ 9.41	
29	201637790386	Liquid valve assembly		M12B0386	1	\$ 43.86	
29.1	201600740523	Liquid valve		M12B0523	1	\$ 25.08	
30	201637890914	Gas valve assembly		M12B0914	1	\$ 74.97	
30.1	201600720195	Gas valve		M12B0195	1	\$ 46.28	
31	202301310068	Discharge temperature sensor assembly		M12B0068	1	\$ 11.40	
32	201400603269	Compressor		M12B3269	1	\$ 517.19	
42	201135110801	Clamp of front net		M12B0801	8	\$ 3.14	

This information is to be used by qualify technicians only

KSIN18C2- Part list No. P1INC25181301

Above prices, numbers, specifications subject to revision without notice

DATE 13-01

Above prices are subject S & H charges