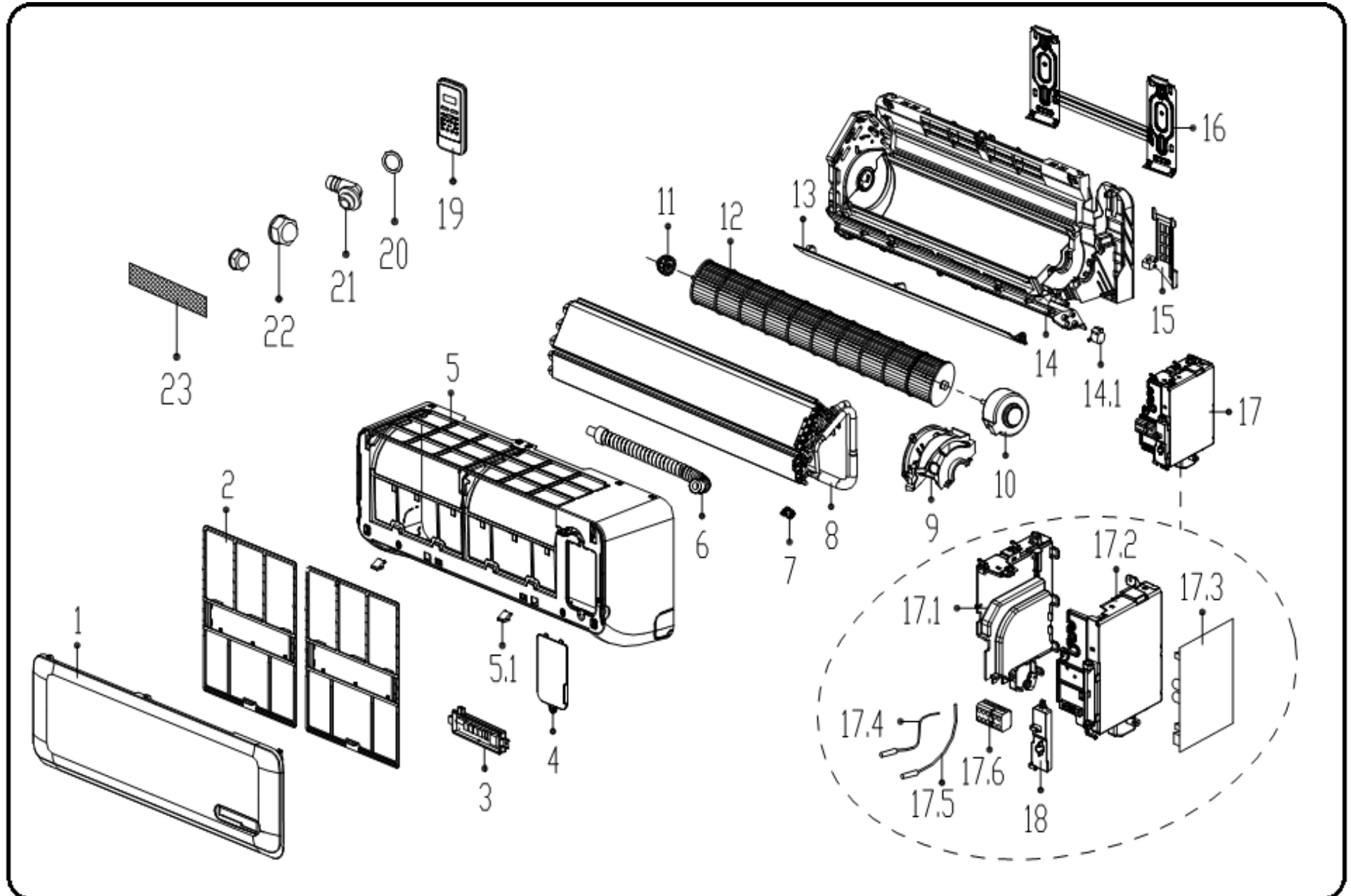


EXPLODED DIAGRAM - PARTS VIEW

Model : K SIN012-C215-I
Power Supply : 208-230V~ 60Hz 1ph

M11A



This information is to be used by qualify AC technicians only
Above information subject to revision without notice

K SIN12C2- Drawing No. D2INC25121301

DATE 13-01

KSIN012-C215-I - SPARE PARTS LIST

Item No.	Part No.	Part Name	Specifications	Stock No.	Qty	Price	Remarks
1	201132490135	Panel assembly		M11A0135	1	\$ 24.05	
2	201132490130	Air filter		M11A0130	2	\$ 3.14	
3	203332590981	Display box assembly		M11A0981	1	\$ 24.51	
4	201119900948	Cover of indoor electronic control box		M11A0948	1	\$ 3.14	
5	201132490134	Panel frame assembly		M11A0134	1	\$ 60.95	
5.1	201119900950	Screw cap		M11A0950	2	\$ 3.14	
6	201101020038	Drain hose		M11A0038	1	\$ 6.27	
7	201102000305	Fix clamp of temperature sensor		M11A0305	1	\$ 3.14	
8	201532490051	Evaporator assembly		M11A0051	1	\$ 188.33	
9	201132490127	Fan motor cover		M11A0127	1	\$ 6.27	
10	202400300137	Asynchronous motor		M11A0137	1	\$ 110.36	
11	202719900606	Bearing base		M11A0606	1	\$ 3.14	
12	201100200051	Cross flow fan		M11A0051	1	\$ 46.31	
13	201132490131	Horizontal louver		M11A0131	1	\$ 11.40	
14	201132490133	Chassis assembly		M11A0133	1	\$ 84.32	
14.1	202400200031	Louver motor		M11A0031	1	\$ 14.40	
15	201119900949	Pipe clamp board		M11A0949	1	\$ 3.14	
16	201232490004	Installation plate		M11A0004	1	\$ 11.40	
17	203332591083	Electronic control box assembly		M11A1083	1	\$ 153.72	
17.1	201132490125	Electronic control box I		M11A0125	1	\$ 9.41	
17.2	201132490124	Electronic control box II		M11A0124	1	\$ 14.40	
17.3	201332590943	Main control board assembly		M11A0943	1	\$ 122.94	
17.4	202433190000	Ambient temperature sensor assembly		M11A0000	1	\$ 3.14	
17.5	202301300584	Pipe temperature sensor assembly		M11A0584	1	\$ 6.27	
17.6	202301400488	Wire joint		M11A0488	1	\$ 9.41	
18	201132490126	Cover of electronic control box		M11A0126	1	\$ 3.14	
19	203355091469	Remote Controller		M11A1469	1	\$ 29.93	
20	202720090001	Seal ring		M11A0001	1	\$ 3.14	
21	201101020011	Drain connecter		M11A0011	1	\$ 3.14	
22	201600330001	Pipe Nut		M11A0001	1	\$ 3.14	
22	201600330002	Pipe Nut		M11A0002	1	\$ 3.14	
23	201131410703	Air cleaner		M11A0703	1	\$ 3.14	

This information is to be used by qualify technicians only

Above prices, numbers, specifications subject to revision without notice

Above prices are subject S & H charges

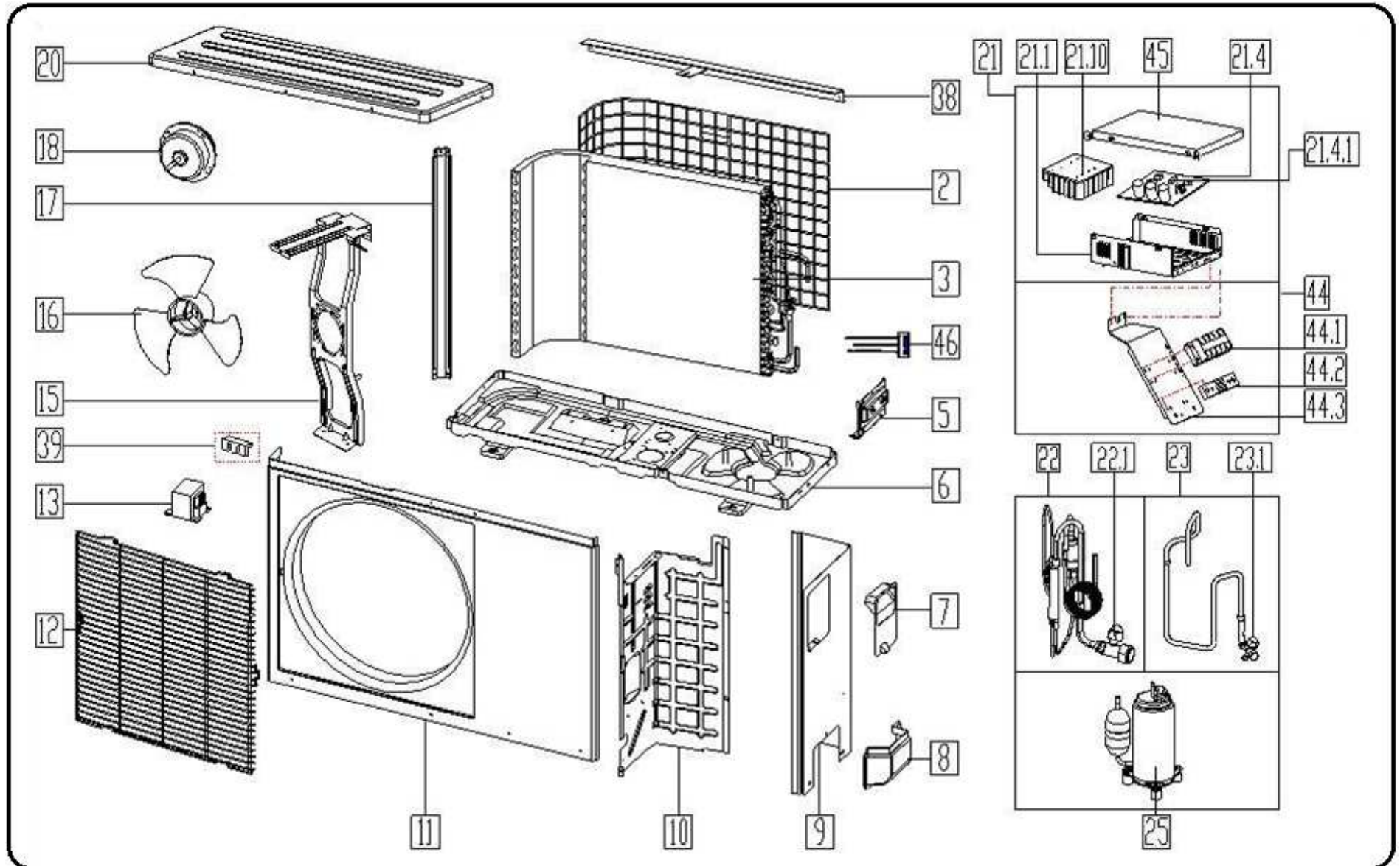
KSIN12C2- Part list No. P2INC25121301

DATE 13-01

EXPLODED DIAGRAM - PARTS VIEW

Model : K SIN012-C215-O
 Power Supply : 208-230V~ 60Hz 1ph

M11B



This information is to be used by qualify AC technicians only
 Above information subject to revision without notice

K SIN12C2- Drawing No. D1INC25121301

DATE 13-01

KSIN012-C215-O - SPARE PARTS LIST

Item No.	Part No.	Part Name	Specifications	Stock No.	Qty	Price	Remarks
2	2011376G0001	Rear net		M11BG0001	1	\$ 8.70	
3	201537590094	Condenser assembly		M11B90094	1	\$ 238.68	
5	201237300285	Valve plate		M11B00285	1	\$ 6.27	
6	201237400422	Chassis assembly		M11B00422	1	\$ 58.01	
7	201237390104	Big handle		M11B90104	1	\$ 11.40	
8	201137390017	Water collector		M11B90017	1	\$ 6.27	
9	201237390090	Rear right clapboard assembly		M11B90090	1	\$ 24.51	
10	201237490025	Partition board assembly		M11B90025	1	\$ 27.22	
11	201237400411	Front panel		M11B00411	1	\$ 46.28	
12	201237390105	Air outlet grille		M11B90105	1	\$ 27.22	
13	202301000847	Reactance		M11B00847	1	\$ 74.24	
15	201237400049	Supporter assembly of fan motor		M11B00049	1	\$ 17.25	
16	201100320625	Axial flow fan		M11B20625	1	\$ 29.93	
17	201237400397	Left supporter		M11B00397	1	\$ 9.41	
18	202400401345	Asynchronous motor		M11B01345	1	\$ 128.97	
20	201237400412	Top cover assembly		M11B00412	1	\$ 35.34	
21	203337390202	Electronic control box assembly		M11B90202	1	\$ 261.90	
21.1	201137490028	Electronic control box		M11B90028	1	\$ 29.93	
21.4	201337390154	Main control board assembly		M11B90154	1	\$ 268.32	
21.4.1	202401100992	capacitor	6UF/250VAC-P0	M11B00992	1	\$ 11.40	
21.4.1	202401200152	capacitor	2.5uF/450V(BP)	M11B00152	1	\$ 6.27	
21.10	202301901137	Radiator		M11B01137	1	\$ 46.28	
22	201637591293	liquid valve assembly		M11B91293	1	\$ 43.61	
22.1	201600700078	Liquid valve		M11B00078	1	\$ 29.93	
23	201637591291	Gas valve assembly		M11B91291	1	\$ 62.86	
23.1	201600720094	Gas valve		M11B20094	1	\$ 43.61	

This information is to be used by qualify technicians only

KSIN12C2- Part list No. P1INC25121301

Above prices, numbers, specifications subject to revision without notice

DATE 13-01

Above prices are subject S & H charges

KSIN012-C215-O - SPARE PARTS LIST

Item No.	Part No.	Part Name	Specifications	Stock No.	Qty	Price	Remarks
25	201400620600	Compressor		M11B20600	1	\$ 376.83	
38	201237400055	Supporter of fan motor holder		M11B00055	1	\$ 3.14	
39	201135110801	Clamp of front net		M11B10801	6	\$ 3.14	
44	203337490048	Terminal board assembly		M11B90048	1	\$ 22.80	
44.1	202301400377	Wire joint		M11B00377	1	\$ 14.40	
44.2	201245400027	Wire clamp		M11B00027	1	\$ 3.14	
44.3	201237490039	Terminal board		M11B90039	1	\$ 3.14	
45	201137490029	Cover of electronic control box		M11B90029	1	\$ 14.40	
46	202301300602	Temperature sensor assembly		M11B00602	1	\$ 24.51	

This information is to be used by qualify technicians only

KSIN12C2- Part list No. P1INC25121301

Above prices, numbers, specifications subject to revision without notice

DATE 13-01

Above prices are subject S & H charges