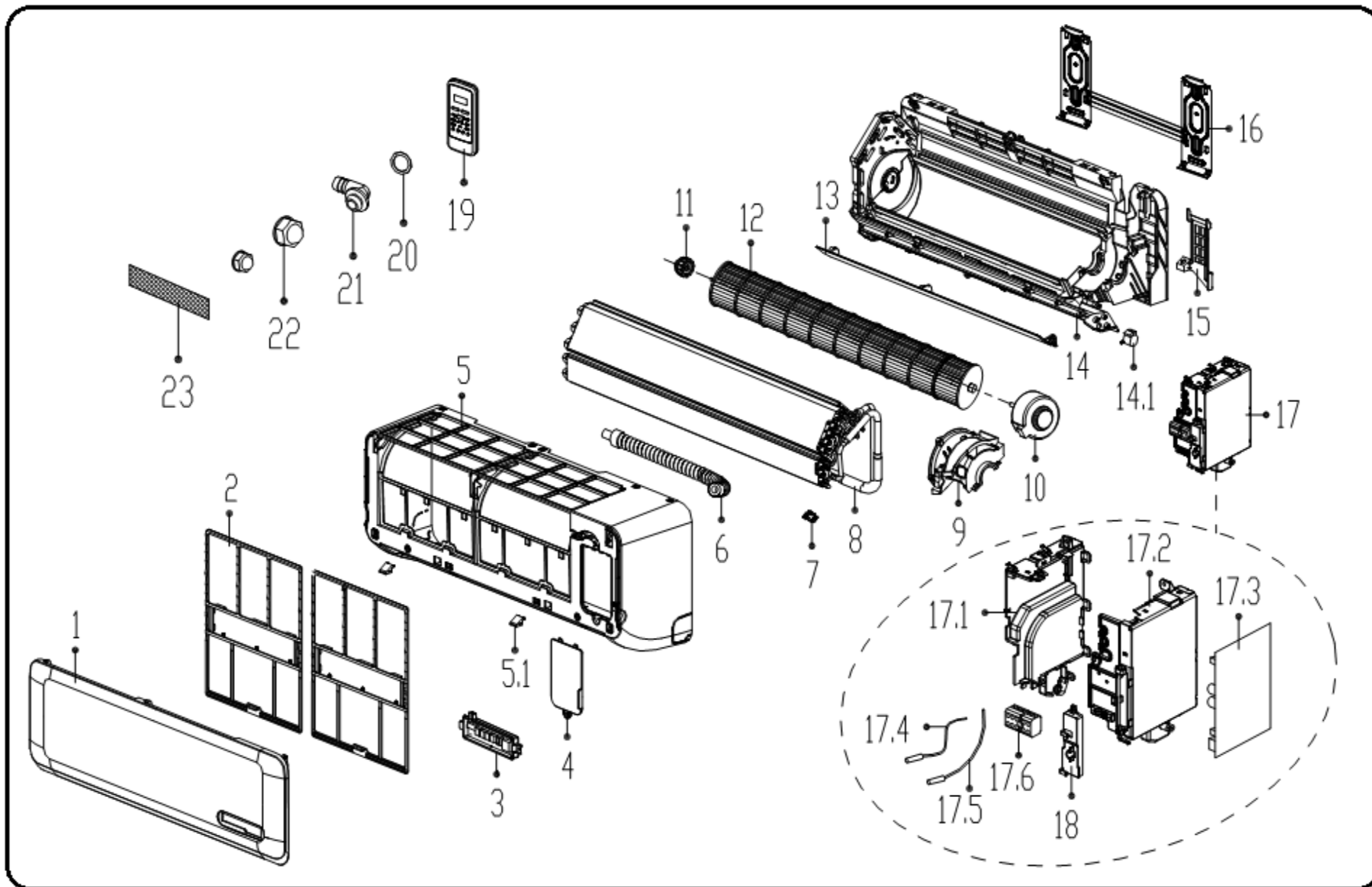


EXPLODED DIAGRAM - PARTS VIEW

Model : KSIN012-C115-I
Power Supply : 115V~ 60Hz 1ph

M10A



This information is to be used by qualify AC technicians only

Above information subject to revision without notice

KSIN12C1- Drawing No. D2INC15121301

DATE 13-01

KSIN012-C115-I - SPARE PARTS LIST

Item No.	Part No.	Part Name	Specifications	Stock No.	Qty	Price	Remarks
1	201132490135	Panel assembly		M10A0135	1	\$ 24.05	
2	201132490130	Air filter		M10A0130	2	\$ 3.14	
3	203332590981	Display box assembly		M10A0981	1	\$ 24.51	
4	201119900948	Cover of indoor electronic control box		M10A0948	1	\$ 3.14	
5	201132490134	Panel frame assembly		M10A0134	1	\$ 60.95	
5.1	201119900950	Screw cap		M10A0950	2	\$ 3.14	
6	201101020038	Drain hose		M10A0038	1	\$ 6.27	
7	201102000305	Fix clamp of temperature sensor		M10A0305	1	\$ 3.14	
8	201532490047	Evaporator assembly		M10A0047	1	\$ 189.61	
9	201132490127	Fan motor cover		M10A0127	1	\$ 6.27	
10	202400300417	Asynchronous motor		M10A0417	1	\$ 112.35	
11	202719900606	Bearing base		M10A0606	1	\$ 3.14	
12	201100200051	Cross flow fan		M10A0051	1	\$ 46.31	
13	201132490131	Horizontal louver		M10A0131	1	\$ 11.40	
14	201132490133	Chassis assembly		M10A0133	1	\$ 84.32	
14.1	202400200031	Louver motor		M10A0031	1	\$ 14.40	
15	201119900949	Pipe clamp board		M10A0949	1	\$ 3.14	
16	201232490004	Installation plate		M10A0004	1	\$ 11.40	
17	203332591107	Electronic control box assembly		M10A1107	1	\$ 143.10	
17.1	201132490125	Electronic control box I		M10A0125	1	\$ 9.41	
17.2	201132490124	Electronic control box II		M10A0124	1	\$ 14.40	
17.3	201332591029	Main control board assembly		M10A1029	1	\$ 131.15	
17.4	202433190000	Ambient temperature sensor assembly		M10A0000	1	\$ 3.14	
17.5	202301300584	Pipe temperature sensor assembly		M10A0584	1	\$ 6.27	
17.6	202301400488	Wire joint		M10A0488	1	\$ 9.41	
18	201132490126	Cover of electronic control box		M10A0126	1	\$ 3.14	
19	203355091469	Remote Controller		M10A1469	1	\$ 29.93	

This information is to be used by qualify technicians only

KSIN12C1- Part list No. P2INC15121301

Above prices, numbers, specifications subject to revision without notice

Above prices are subject S & H charges

KSIN012-C115-I - SPARE PARTS LIST

Item No.	Part No.	Part Name	Specifications	Stock No.	Qty	Price	Remarks
20	202720090001	Seal ring		M10A0001	1	\$ 3.14	
21	201101020011	Drain connecter		M10A0011	1	\$ 3.14	
22	201600330001	Pipe Nut		M10A0001	1	\$ 3.14	
22	201600330003	Pipe Nut		M10A0003	1	\$ 3.14	
23	201131410703	Air cleaner		M10A0703	1	\$ 3.14	

This information is to be used by qualify technicians only

KSIN12C1- Part list No. P2INC15121301

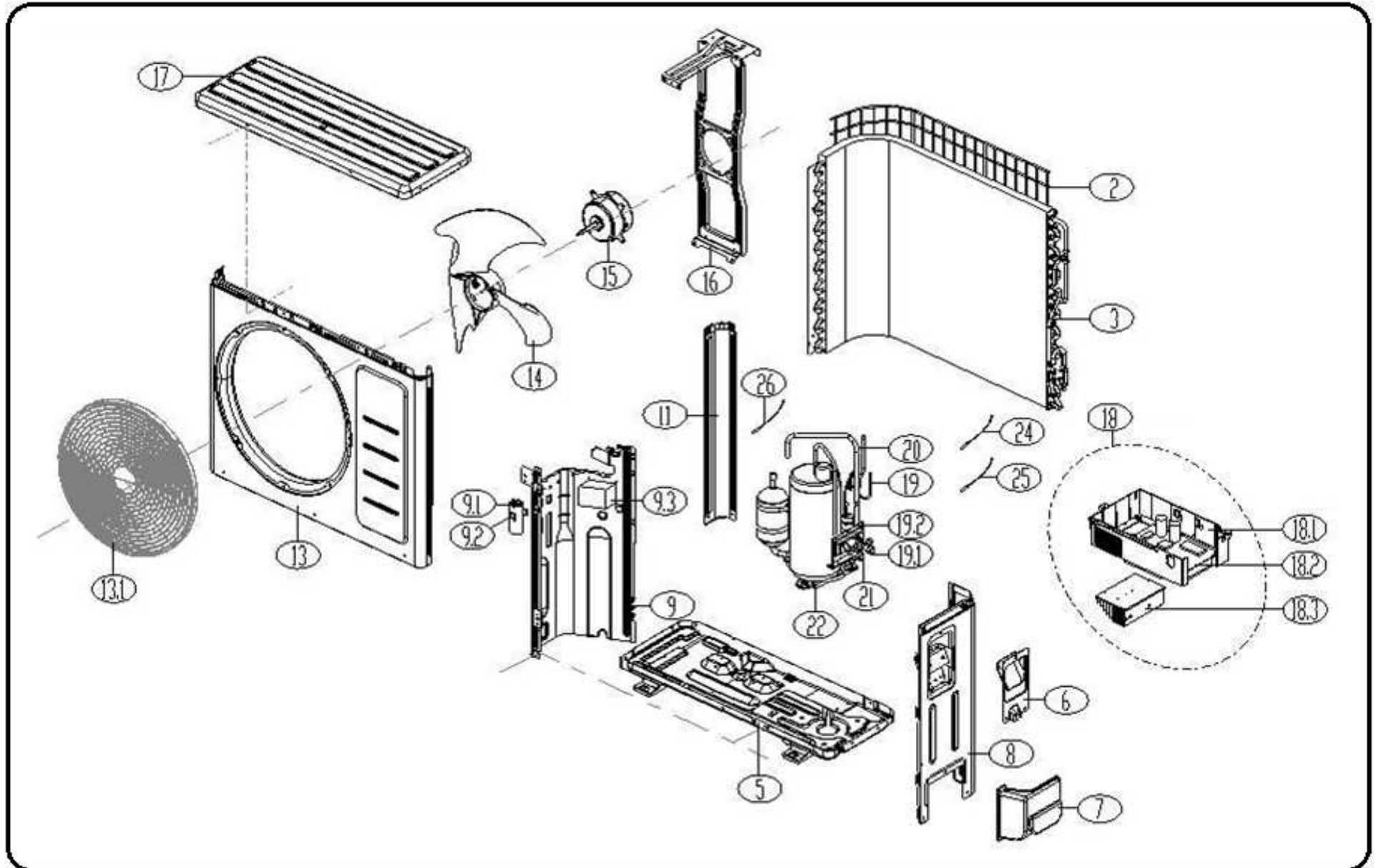
Above prices, numbers, specifications subject to revision without notice

Above prices are subject S & H charges

EXPLODED DIAGRAM - PARTS VIEW

Model : K SIN012-C115-O
Power Supply : 115 V~ 60Hz 1ph

M10B



This information is to be used by qualify AC technicians only
Above information subject to revision without notice

K SIN12C1- Drawing No. D1INC15121301

DATE 13-01

KSIN012-C115-O - SPARE PARTS LIST

Item No.	Part No.	Part Name	Specifications	Stock No.	Qty	Price	Remarks
2	201137300179	Rear net		M10B0179	1	\$ 5.70	
3	201537591112	Condenser assembly		M10B1112	1	\$ 266.96	
5	201237500230	Chassis assembly		M10B0230	1	\$ 56.10	
6	201237390104	Big handle		M10B0104	1	\$ 11.40	
7	201137390017	Water collector		M10B0017	1	\$ 6.27	
8	201237500257	Right clapboard assembly		M10B0257	1	\$ 50.62	
9	201237500258	Partition board assembly		M10B0258	1	\$ 111.20	
9.1	202401090021	Capacitor of compressor	45UF/250V	M10B0021	1	\$ 38.19	
9.2	201200100026	Capacitor clip		M10B0026	1	\$ 3.14	
9.3	202301000860	Reactance		M10B0860	1	\$ 70.64	
11	201237500180	Left supporter		M10B0180	1	\$ 11.40	
13	201237500196	Front panel		M10B0196	1	\$ 74.97	
13.1	201137500010	Air outlet grille		M10B0010	1	\$ 17.10	
14	201100300034	Axial flow fan		M10B0034	1	\$ 29.78	
15	202400400990	Asynchronous motor		M10B0990	1	\$ 134.51	
16	201237500176	Supporter assembly of fan motor		M10B0176	1	\$ 17.10	
17	201237500177	Top cover assembly		M10B0177	1	\$ 37.76	
18	203337390229	Electronic control box assembly		M10B0229	1	\$ 299.58	
18.1	201237390055	Electronic control box		M10B0055	1	\$ 11.40	
18.2	201337390192	Main control board assembly		M10B0192	1	\$ 270.06	
18.3	202301990015	Radiator		M10B0015	1	\$ 46.31	
19	201637591330	Liquid valve assembly		M10B1330	1	\$ 45.89	
19.1	201600700076	Liquid valve		M10B0076	1	\$ 27.08	
19.2	2012373N0005	Valve plate		M10B0005	1	\$ 6.27	
20	201637591328	Suction pipe assembly		M10B1328	1	\$ 62.73	
21	201600720194	Gas valve		M10B0194	1	\$ 47.17	
22	201400601230	Compressor		M10B1230	1	\$ 405.09	
24	202301310075	Ambient temperature sensor assembly		M10B0075	1	\$ 6.27	
25	202301300445	Pipe temperature sensor assembly		M10B0445	1	\$ 6.27	
26	202301310068	Discharge temperature sensor assembly		M10B0068	1	\$ 11.40	

This information is to be used by qualify technicians only

KSIN12C1- Part list No. P1INC15121301

Above prices, numbers, specifications subject to revision without notice

Above prices are subject S & H charges