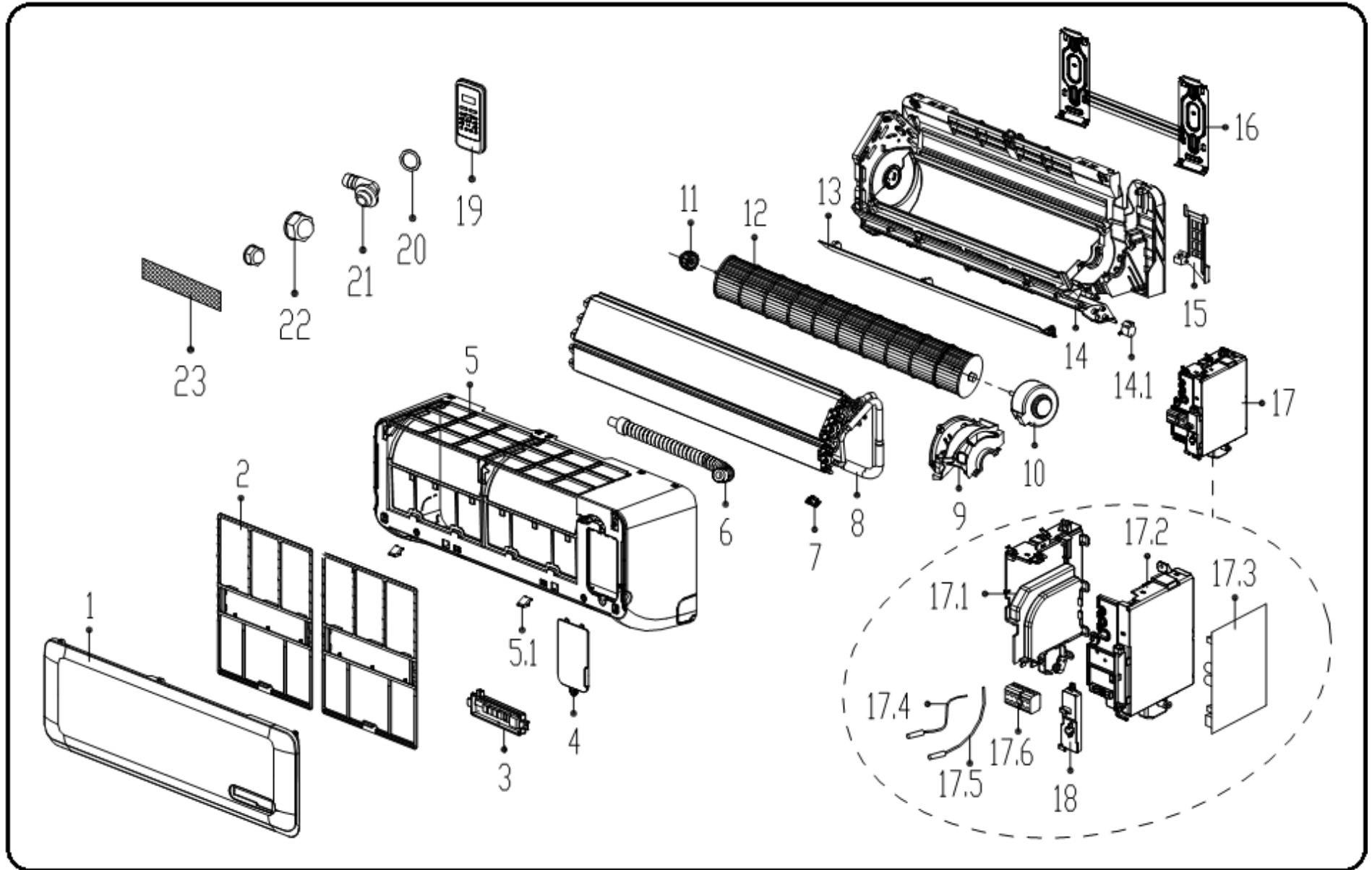


EXPLODED DIAGRAM - PARTS VIEW

Model : KSIN009-H215-I
Power Supply : 208-230V~ 60Hz 1ph

M15A



KSIN009-H215-I - SPARE PARTS LIST

Item No.	Part No.	Part Name	Specifications	Stock No.	Qty	Price	Remarks
1	201132391050	Panel assembly		M15A1050	1	\$ 24.05	
2	201132391045	Air filter		M15A1045	2	\$ 3.14	
3	203332590982	Display box assembly		M15A0982	1	\$ 26.65	
4	201119900948	Cover of indoor electronic control box		M15A0948	1	\$ 3.14	
5	201132391047	Panel frame assembly		M15A1047	1	\$ 53.55	
5.1	201119900950	Screw cap		M15A0950	2	\$ 3.14	
6	201101020038	Drain hose		M15A0038	1	\$ 6.27	
7	201102000305	Fix clamp of temperature sensor		M15A0305	1	\$ 3.14	
8	201532390187	Evaporator assembly		M15A0187	1	\$ 202.95	
9	201132490127	Fan motor cover		M15A0127	1	\$ 6.27	
10	202400300136	Asynchronous motor		M15A0136	1	\$ 102.38	
11	202719900606	Bearing base		M15A0606	1	\$ 3.14	
12	201100200050	Cross flow fan		M15A0050	1	\$ 40.90	
13	201132391046	Horizontal louver		M15A1046	1	\$ 9.41	
14	201132391049	Chassis assembly		M15A1049	1	\$ 74.24	
14.1	202400200031	Louver motor		M15A0031	1	\$ 14.40	
15	201119900949	Pipe clamp board		M15A0949	1	\$ 3.14	
16	201232390033	Installation plate		M15A0033	1	\$ 9.41	
17	203332391055	Electronic control box assembly		M15A1055	1	\$ 152.55	
17.1	201132490125	Electronic control box I		M15A0125	1	\$ 9.41	
17.2	201132490124	Electronic control box II		M15A0124	1	\$ 14.40	
17.3	201332391405	Main control board assembly		M15A1405	1	\$ 123.39	
17.4	202433190000	Ambient temperature sensor assembly		M15A0000	1	\$ 3.14	
17.5	202301300584	Pipe temperature sensor assembly		M15A0584	1	\$ 6.27	
17.6	202301400488	Wire joint		M15A0488	1	\$ 9.41	
18	201132490126	Cover of electronic control box		M15A0126	1	\$ 3.14	
19	203355091469	Remote Controller		M15A1469	1	\$ 29.93	
20	202720090001	Seal ring		M15A0001	1	\$ 3.14	
21	201101020011	Drain connector		M15A0011	1	\$ 3.14	
22	201600330001	Pipe Nut		M15A0001	1	\$ 3.14	
22	201600330002	Pipe Nut		M15A0002	1	\$ 3.14	
23	201131410703	Air cleaner		M15A0703	1	\$ 3.14	

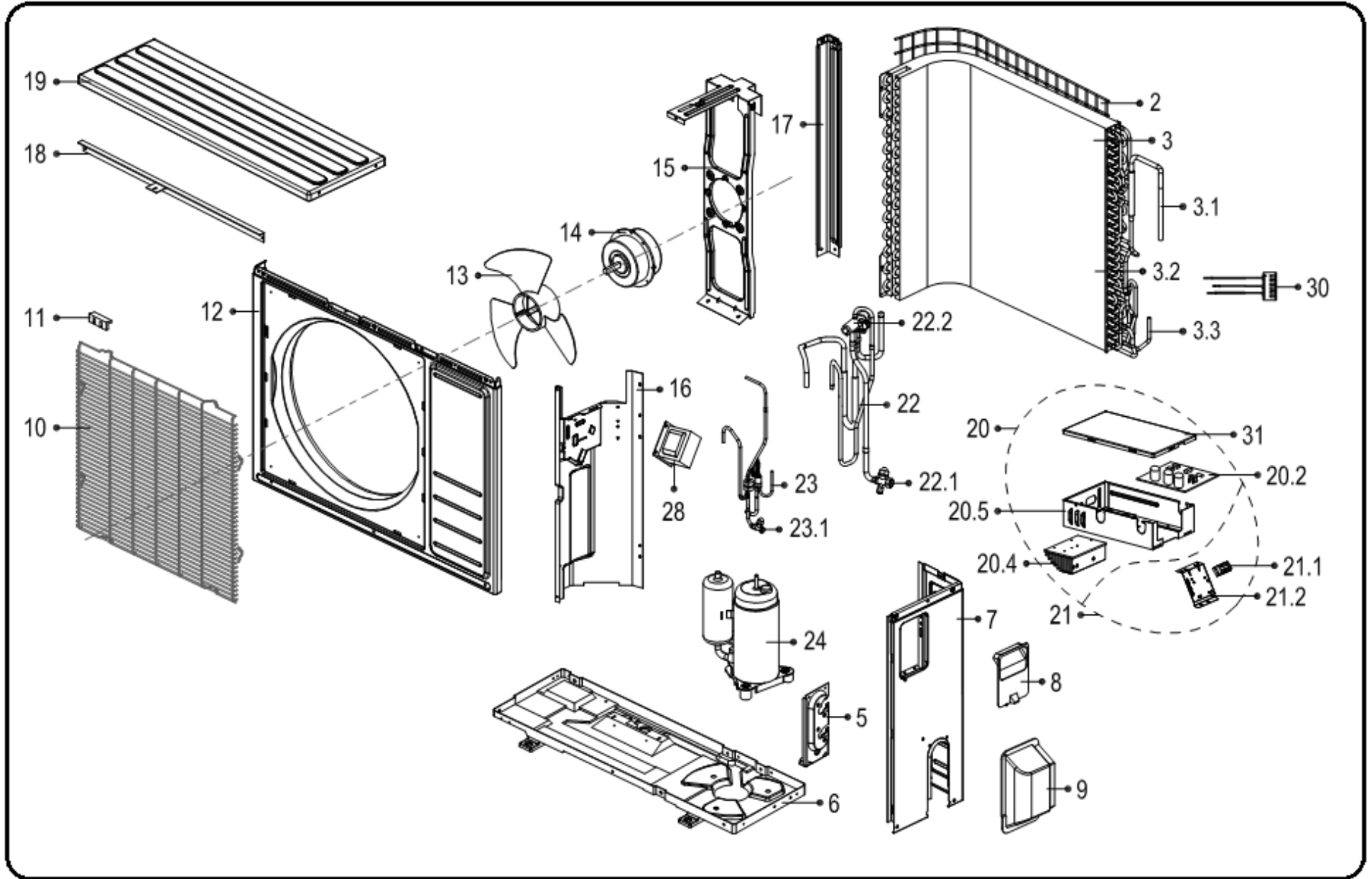
This information is to be used by qualify technicians only
 Above prices, numbers, specifications subject to revision without notice
 Above prices are subject S & H charges

KSIN9H2- Part list No. P2INH25091301

EXPLODED DIAGRAM - PARTS VIEW

Model : KSIN009-H215-O
Power Supply : 208-230V~ 60Hz 1Phase

M15B



This information is to be used by qualify AC technicians only

Above information subject to revision without notice

KSIN9H2- Drawing No. D1INH25091301

DATE 13-01

KSIN009-H215-O - SPARE PARTS LIST

Item No.	Part No.	Part Name	Specifications	Stock No.	Qty	Price	Remarks
2	2011372G0003	Rear net		M15B0003	1	\$ 5.70	
3	201537390061	Condenser assembly		M15B0061	1	\$ 188.33	
3.1	201637390457	Input pipe assembly		M15B0457	1	\$ -	
3.2	201535110521	Condenser assembly		M15B0521	1	\$ -	
3.3	201635110501	Fluted pipe assembly		M15B0501	1	\$ 3.14	
5	201237200282	Valve plate		M15B0282	1	\$ 6.27	
6	201237390092	Chassis assembly		M15B0092	1	\$ 58.52	
7	201237390116	Rear right clapboard assembly		M15B0116	1	\$ 32.49	
8	201237390104	Big handle		M15B0104	1	\$ 11.40	
9	201137390016	Water collector		M15B0016	1	\$ 6.27	
10	201237390105	Air outlet grille		M15B0105	1	\$ 27.22	
11	201135110801	Clamp of front net		M15B0801	6	\$ 3.14	
12	201237090027	Front panel		M15B0027	1	\$ 45.89	
13	201100300055	Axial flow fan		M15B0055	1	\$ 32.63	
14	202400401344	Asynchronous motor		M15B1344	1	\$ 139.34	
15	201237200035	Supporter assembly of fan motor		M15B0035	1	\$ 17.25	
16	201237390117	Partition board assembly		M15B0117	1	\$ 24.51	
17	201237200271	Left supporter		M15B0271	1	\$ 9.41	
18	201237200037	Supporter of fan motor holder		M15B0037	1	\$ 3.14	
19	201237200275	Top cover assembly		M15B0275	1	\$ 22.95	
20	203337390222	Electronic control box assembly		M15B0222	1	\$ 240.84	
20.2	201337390185	Main control board assembly		M15B0185	1	\$ 273.18	
20.4	202301901117	Radiator		M15B1117	1	\$ 43.86	
20.5	201137490028	Electric Installing Box		M15B0028	1	\$ 29.93	
21	203337390224	Terminal board assembly		M15B0224	1	\$ 22.80	
21.1	202301400377	Wire joint		M15B0377	1	\$ 14.40	
21.2	201237390073	Terminal board		M15B0073	1	\$ 3.14	

This information is to be used by qualify technicians only

KSIN9H2- Part list No. P1INH25091301

Above prices, numbers, specifications subject to revision without notice

Above prices are subject S & H charges

KSIN009-H215-O - SPARE PARTS LIST

Item No.	Part No.	Part Name	Specifications	Stock No.	Qty	Price	Remarks
22	201637391277	4-Ways valve assembly		M15B1277	1	\$ 156.51	
22.1	201600720095	Gas valve		M15B0095	1	\$ 37.05	
22.2	201600690010	4-Ways valve		M15B0010	1	\$ 97.34	
23	201637391479	Liquid valve assembly		M15B1479	1	\$ 46.03	
23.1	201600740523	Liquid valve		M15B0523	1	\$ 25.08	
24	201400601230	Compressor		M15B1230	1	\$ 405.09	
28	202301000847	Reactor		M15B0847	1	\$ 74.24	
30	202301300602	Compound temperature sensor		M15B0602	1	\$ 24.51	
31	201137490029	Cover of electronic control box		M15B0029	1	\$ 14.40	

This information is to be used by qualify technicians only

KSIN9H2- Part list No. P1INH25091301

Above prices, numbers, specifications subject to revision without notice

Above prices are subject S & H charges