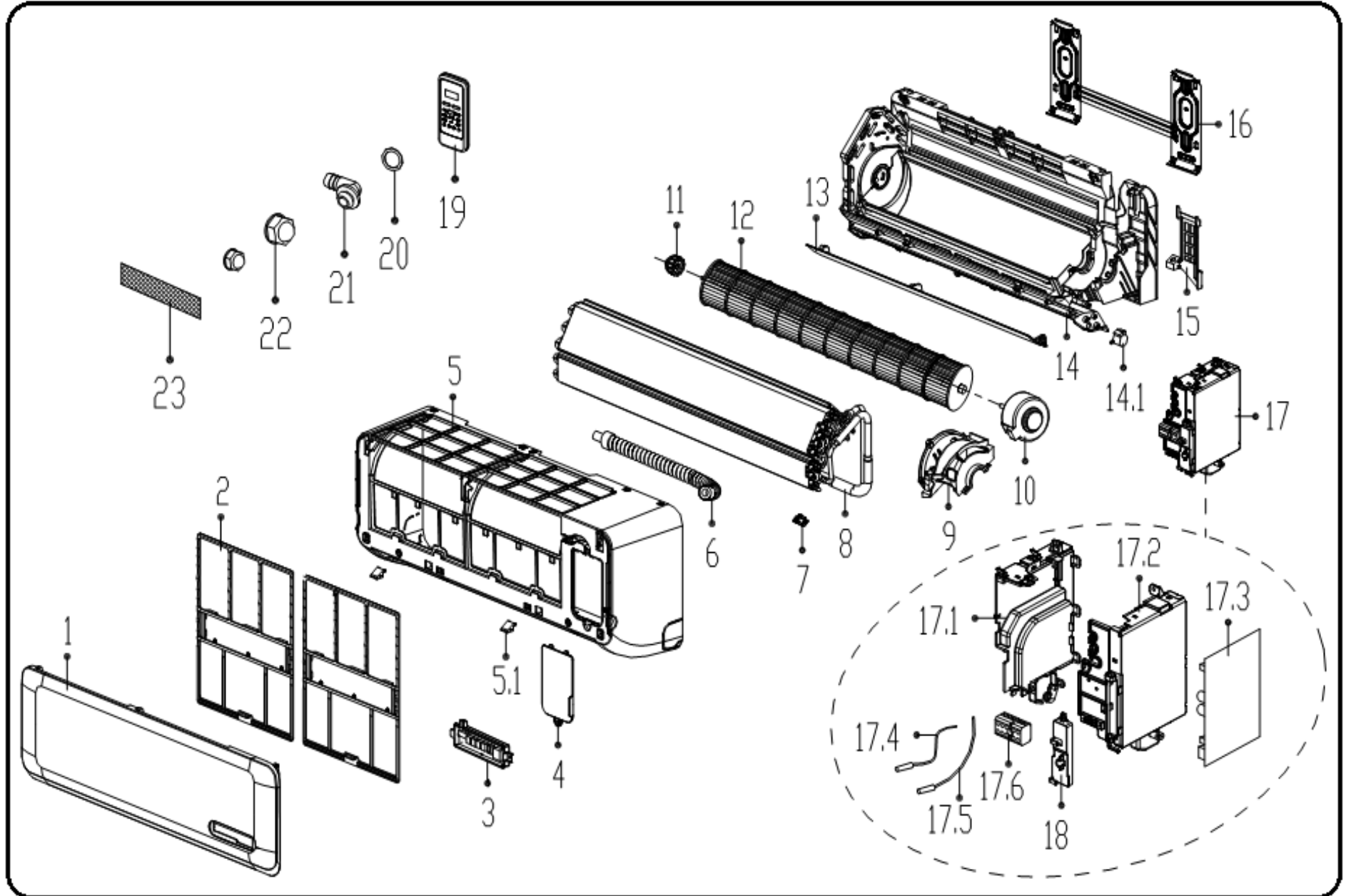


EXPLODED DIAGRAM - PARTS VIEW

Model : K SIN009-H115-I
Power Supply : 115V~ 60Hz 1ph

M14A



This information is to be used by qualify AC technicians only
Above information subject to revision without notice

K SIN9H1- Drawing No. D2INH15091301
DATE 13-01

KSIN009-H115 - SPARE PARTS LIST

Item No.	Part No.	Part Name	Specifications	Stock No.	Qty	Price	Remarks
1	201132391050	Panel assembly		M14A1050	1	\$ 24.05	
2	201132391045	Air filter		M14A1045	2	\$ 3.14	
3	203332590982	Display box assembly		M14A0982	1	\$ 26.65	
4	201119900948	Cover of indoor electronic control box		M14A0948	1	\$ 3.14	
5	201132391047	Panel frame assembly		M14A1047	1	\$ 53.55	
5.1	201119900950	Screw cap		M14A0950	2	\$ 3.14	
6	201101020038	Drain hose		M14A0038	1	\$ 6.27	
7	201102000305	Fix clamp of temperature sensor		M14A0305	1	\$ 3.14	
8	201532390187	Evaporator assembly		M14A0187	1	\$ 202.95	
9	201132490127	Fan motor cover		M14A0127	1	\$ 6.27	
10	202400300417	Asynchronous motor		M14A0417	1	\$ 112.35	
11	202719900606	Bearing base		M14A0606	1	\$ 3.14	
12	201100200050	Cross flow fan		M14A0050	1	\$ 40.90	
13	201132391046	Horizontal louver		M14A1046	1	\$ 9.41	
14	201132391049	Chassis assembly		M14A1049	1	\$ 74.24	
14.1	202400200031	Louver motor		M14A0031	1	\$ 14.40	
15	201119900949	Pipe clamp board		M14A0949	1	\$ 3.14	
16	201232390033	Installation plate		M14A0033	1	\$ 9.41	
17	203332391078	Electronic control box assembly		M14A1078	1	\$ 143.10	
17.1	201132490125	Electronic control box I		M14A0125	1	\$ 9.41	
17.2	201132490124	Electronic control box II		M14A0124	1	\$ 14.40	
17.3	201332391529	Main control board assembly		M14A1529	1	\$ 131.15	
17.4	202433190000	Ambient temperature sensor assembly		M14A0000	1	\$ 3.14	
17.5	202301300584	Pipe temperature sensor assembly		M14A0584	1	\$ 6.27	
17.6	202301400488	Wire joint		M14A0488	1	\$ 9.41	
18	201132490126	Cover of electronic control box		M14A0126	1	\$ 3.14	
19	203355091469	Remote Controller		M14A1469	1	\$ 29.93	
20	202720090001	Seal ring		M14A0001	1	\$ 3.14	
21	201101020011	Drain connecter		M14A0011	1	\$ 3.14	
22	201600330001	Pipe Nut		M14A0001	1	\$ 3.14	
22	201600330002	Pipe Nut		M14A0002	1	\$ 3.14	
23	201131410703	Air cleaner		M14A0703	1	\$ 3.14	

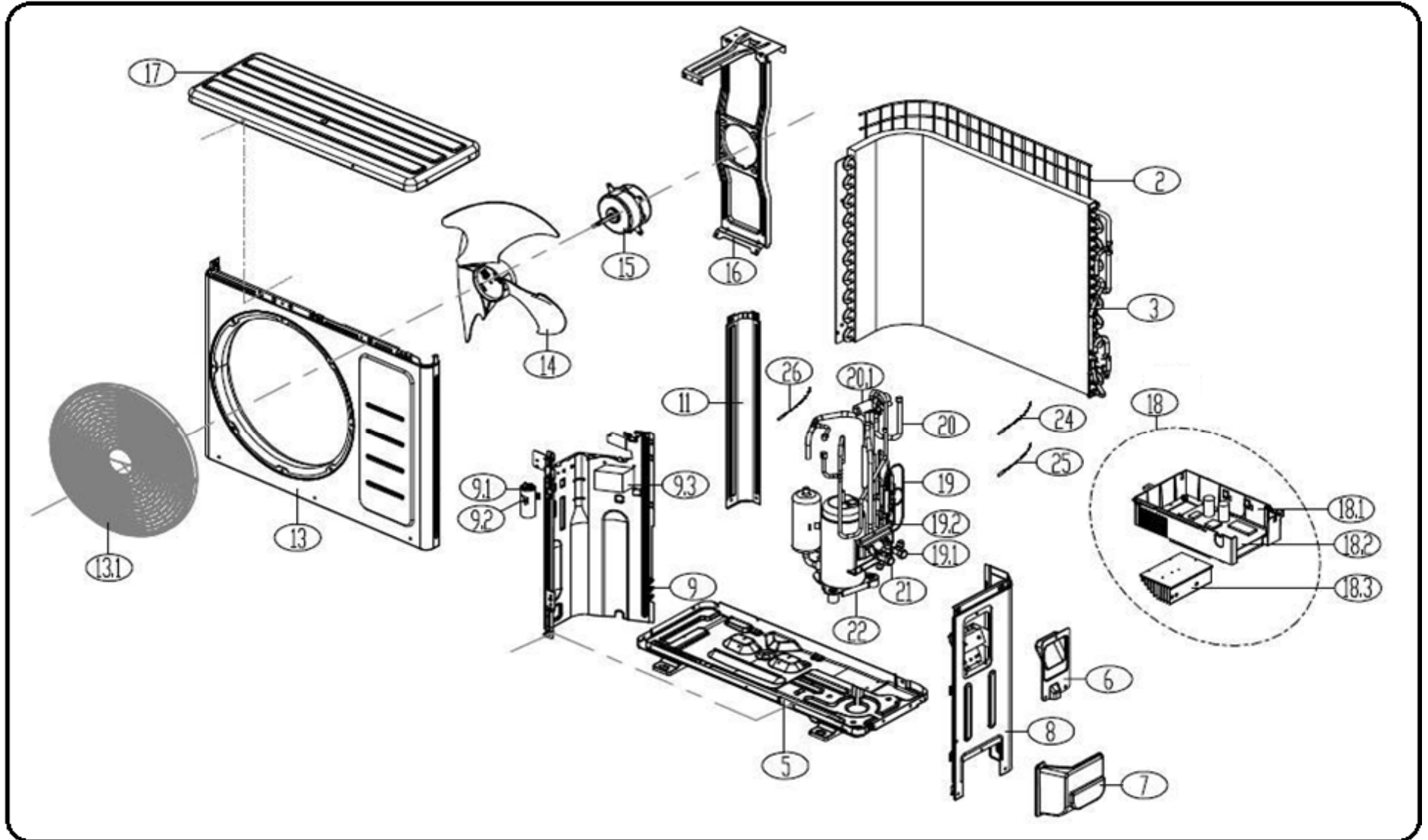
This information is to be used by qualify technicians only
 Above prices, numbers, specifications subject to revision without notice
 Above prices are subject S & H charges

KSIN9H1- Part list No. P2INH15091301

EXPLODED DIAGRAM - PARTS VIEW

Model : KSIN09H115
Power Supply : 115V~ 60Hz 1Phase

M14B



This information is to be used by qualify AC technicians only
Above information subject to revision without notice

KSIN9H1- Drawing No. D11NH15091301

DATE 13-01

SPARE PART LIST

Item No.	Part No.	Part Name	Specifications	Stock No.	Qty	Price	Remarks
2	HM113730017	Rear net		M14B0179	1	\$ 5.70	
3	HM153739017	Condenser assembly		M14B0176	1	\$ 243.96	
5	HM123750023	Chassis assembly		M14B0230	1	\$ 56.10	
6	HM123739010	Big handle		M14B0104	1	\$ 11.40	
7	HM113739001	Water collector		M14B0017	1	\$ 6.27	
8	HM123750025	Right clapboard assembly		M14B0257	1	\$ 50.62	
9	HM123750025	Partition board assembly		M14B0258	1	\$ 111.20	
9.1	HM240109002	Capacitor of compressor	45UF/250V	M14B0021	1	\$ 38.19	
9.2	HM120010002	Capacitor clip		M14B0026	1	\$ 3.14	
9.3	HM230100086	Reactance		M14B0860	1	\$ 70.64	
11	HM123750018	Left supporter		M14B0180	1	\$ 11.40	
13	HM123750019	Front panel		M14B0196	1	\$ 74.97	
13.1	HM113750001	Air outlet grille		M14B0010	1	\$ 17.10	
14	HM110030003	Axial flow fan		M14B0034	1	\$ 29.78	
15	HM240040099	Asynchronous motor		M14B0990	1	\$ 134.51	
16	HM123750017	Supporter assembly of fan motor		M14B0176	1	\$ 17.10	
17	HM123750017	Top cover assembly		M14B0177	1	\$ 37.76	
18	HM333739022	Electronic control box assembly		M14B0229	1	\$ 299.58	
18.1	HM123739005	Electronic control box		M14B0055	1	\$ 11.40	
18.2	HM133739019	Main control board assembly		M14B0192	1	\$ 270.06	
18.3	HM230199001	Radiator		M14B0015	1	\$ 46.31	
19	HM163739152	Liquid valve assembly		M14B1529	1	\$ 55.46	
19.1	HM160070007	Liquid valve		M14B0078	1	\$ 29.93	
19.2	HM12373N000	Valve plate		M14B0005	1	\$ 6.27	
20	HM163739153	4-way valve assembly		M14B1531	1	\$ 153.27	
20.1	HM160069000	4-Ways valve		M14B0008	1	\$ 100.38	
21	HM160072009	Gas valve		M14B0094	1	\$ 43.61	
22	HM140060123	Compressor		M14B1230	1	\$ 405.09	
24	HM230131007	Ambient temperature sensor assembly		M14B0075	1	\$ 7.00	
25	HM230130044	Pipe temperature sensor assembly		M14B0445	1	\$ 7.00	
26	HM230131006	Discharge temperature sensor assembly		M14B0068	1	\$ 12.00	

This information is to be used by qualify technicians only

KSIN9H1- Part list No. P1INH15091301

Above prices, numbers, specifications subject to revision without notice

Above prices are subject S & H charges