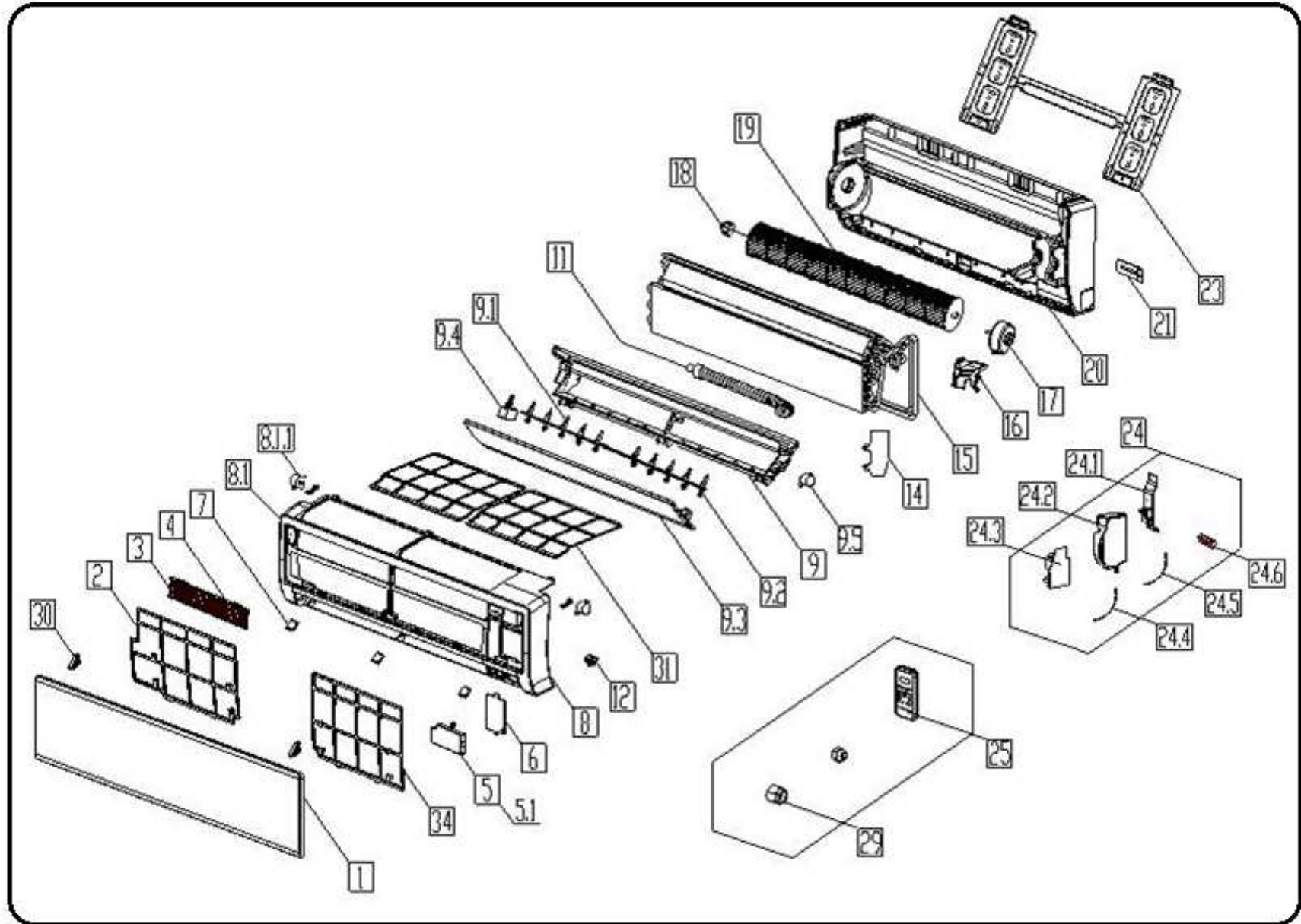


# EXPLODED DIAGRAM - PARTS VIEW

Model : KSIM009-H219  
Power Supply : 208-230V~ 60Hz 1Phase

20A



This information is to be used by qualify AC technicians only

KSIM0919- Drawing No. D2IM19091301

Above information subject to revision without notice

DATE 13-01

## SPARE PART LIST

Item No.	Part No.	Part Name	Specifications	Stock No.	Qty	Price	Remarks
1	WI1132590008	Panel assembly		M20A0008	1	100.5143	
2	WI1132500013	Air filter(left)		M20A0013	1	3.07127	
5	WI3332590183	Display box assembly		M2A00183	1	109.4489	
5.1	WI1332590462	Display board assembly		M20A0462	1	#N/A	
6	WI1132500012	Cover of indoor electronic control box		M20A0012	1	3.07127	
7	WI1132500055	Screw cap		M20A0055	3	3.07127	
8	WI1132501024	Panel frame assembly		M20A1024	1	145.7457	
8.1	WI1132501131	Panel frame assembly		M20A1131	1	134.019	
8.1.1	WI2400200105	Louver motor		M20A0105	1	34.48198	
9	WI1132590968	Air outlet assembly		M20A0968	1	80.13222	
9.1	WI1132590031	Vertical vane		M20A0031	10	3.07127	
9.2	WI1132500032	Louver holder		M20A0032	1	3.07127	
9.2	WI1132500031	Louver holder		M20A0031	1	3.07127	
9.3	WI1132500060	Horizontal louver		M20A0060	1	23.87214	
9.4	WI2403000006	Ionizer generator		M20A0006	1	16.75238	
9.5	WI2400200017	Louver motor		M20A0017	1	13.96032	
11	WI1101020038	Drain hose		M20A0038	1	6.14254	
14	WI1132500002	Waterproof board		M20A0002	1	3.07127	
15	WI1532390036	Evaporator assembly		M20A0036	1	236.2086	
16	WI1132500017	Fan motor cover		M20A0017	1	6.14254	
17	WI2400370022	Asynchronous motor		M20A0022	1	144.0705	
18	WI2730100201	Bearing base		M20A0201	1	3.07127	
19	WI1100200106	Cross flow fan		M20A0106	1	45.09183	

This information is to be used by qualify technicians only

KSIM0919- Part list No. P2IM19091301

Above prices, numbers, specifications subject to revision without notice

Drawing No. D2IM19091301

Above prices are subject S & H charges

DATE 13-01

## SPARE PART LIST

Item No	Part No.	Part Name	Specifications	Stock No.	Qty	Price	Remarks
20	WI1132500007	Chassis assembly		M20A0007	1	70.36	
21	WI1232500001	Pipe clamp board		M20A0001	1	3.07127	
23	WI1232590025	Installation plate		M20A0025	1	16.75238	
24	WI3332390677	Electronic control box assembly		M20A0677	1	209.4048	
24.1	WI1132500021	Cover of electronic control box		M20A0021	1	6.14254	
24.2	WI1132500022	Electronic control box		M20A0022	1	29.17706	
24.3	WI1332390823	Main control board assembly		M20A0823	1	170.8743	
24.4	WI2433190000	Indoor temperature sensor assembly		M20A0000	1	3.07127	
24.5	WI2301300080	Pipe temperature sensor assembly		M20A0080	1	6.14254	
24.6	WI2301450119	Wire joint		M20A0119	1	9.21381	
25	WI3355091200	Remote Controller		M20A1200	1	47.46508	
27	WI2720090001	Seal ring		M20A0001	1	3.07127	
28	WI1101020011	Drain connecter		M20A0011	1	3.07127	
29	WI1600330002	Nut		M20A0002	1	3.07127	
29	WI1600330001	Nut		M20A0001	1	3.07127	
30	WI1132500010	Hinge Slide groove		M20A0010	2	3.07127	
31	WI1132500054	Air inlet grille assembly		M20A0054	1	34.48198	
34	WI1132500011	Air filter(right)		M20A0011	1	3.07127	

This information is to be used by qualify technicians only

KSIM0919- Part list No. P2IM19091301

Above prices, numbers, specifications subject to revision without notice

Drawing No. D2IM19091301

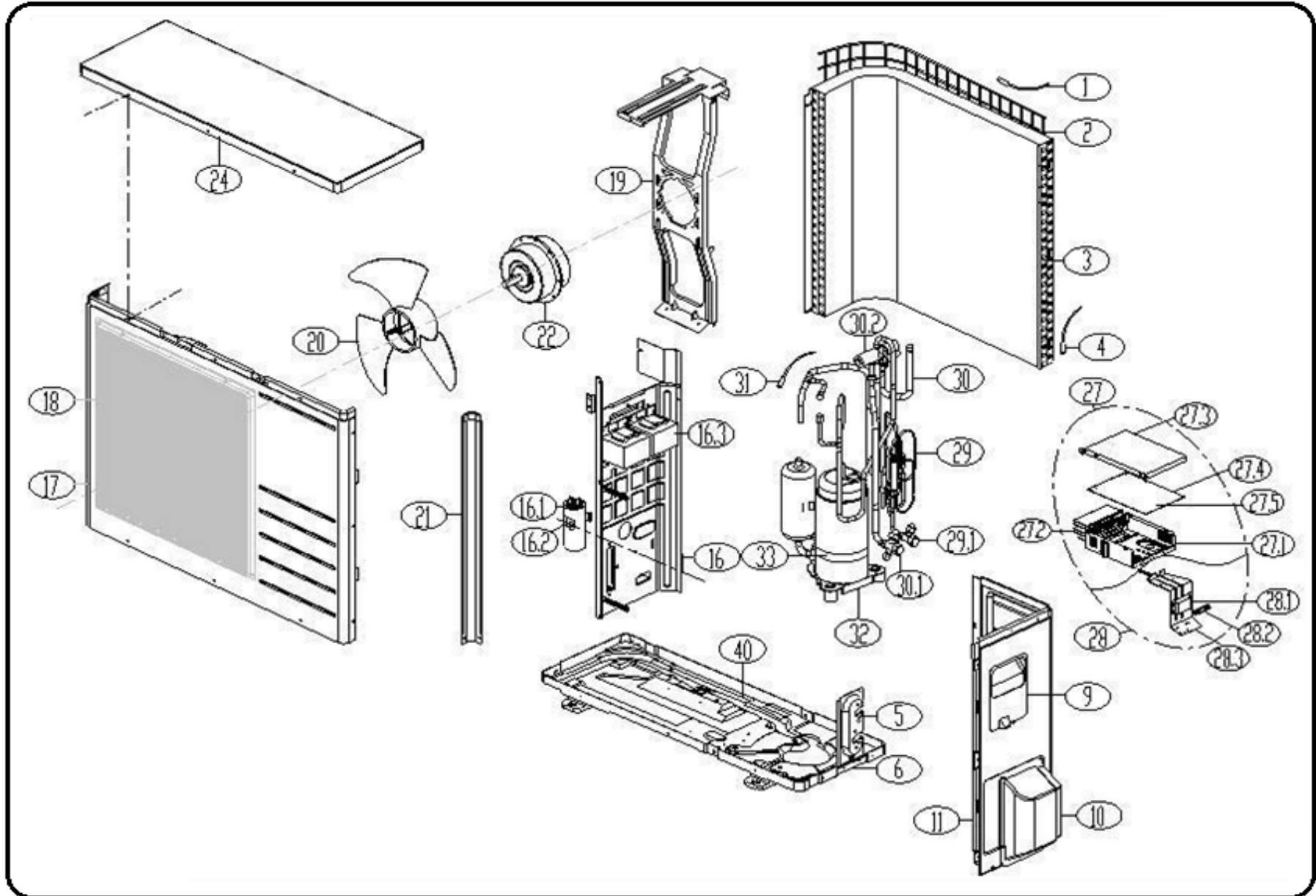
Above prices are subject S & H charges

DATE 13-01

# EXPLODED DIAGRAM - PARTS VIEW

Sale model : KSIM009-H219  
Power Supply : 208-230V~ 60Hz 1Phase

20B



This information is to be used by qualify AC technicians only

KSIM0919- Drawing No. D11M19091301

Above information subject to revision without notice

DATE 13-01

## SPARE PART LIST

Item No.	Part No.	Part Name	Specifications	Stock No.	Qty	Price	Remarks
1	HM2301310063	Indoor temperature sensor assembly		M20B0063	1	\$ 5.58	
2	HM11374G0003	Rear net		M20B0003	1	\$ 6.14	
3	HM1537390033	Condenser assembly		M20B0033	1	\$ 335.05	
4	HM2440500004	Pipe temperature sensor assembly		M20B0004	1	\$ 6.14	
5	HM1237200282	Valve plate		M20B0282	1	\$ 6.14	
6	HM1237590091	Chassis assembly		M20B0091	1	\$ 74.27	
9	HM1237390104	Big handle		M20B0104	1	\$ 9.21	
10	HM1137400000	Water collector		M20B0000	1	\$ 13.96	
11	HM1237590080	Rear right clapboard assembly		M20B0080	1	\$ 47.47	
16	HM1237500213	Partition board assembly		M20B0213	1	\$ 179.25	
16.1	HM2401000612	Capacitor of compressor	<b>35<math>\mu</math>F 440 VAC</b>	M20B0612	1	\$ 26.52	
16.2	HM1200100002	Capacitor clip		M20B0002	1	\$ 3.07	
16.3	HM2301000820	Reactance		M20B0820	1	\$ 78.32	
16.3	HM2301000819	Reactance		M20B0819	1	\$ 75.94	
17	HM1237400392	Front panel		M20B0392	1	\$ 78.18	
18	HM1137590017	Air outlet grille		M20B0017	1	\$ 34.48	
19	HM1237390026	Supporter assembly of fan motor		M20B0026	1	\$ 31.83	
20	HM1100390002	Axial flow fan		M20B0002	1	\$ 71.20	
21	HM1237400400	Left supporter		M20B0400	1	\$ 9.21	
22	HM2400370023	Asynchronous motor		M20B0023	1	\$ 201.03	
24	HM1237400405	Top cover assembly		M20B0405	1	\$ 45.09	

This information is to be used by qualify technicians only

KSIM0919- Part list No. P1IM19091301

Above prices, numbers, specifications subject to revision without notice

Drawing No. D1IM19091301

Above prices are subject S & H charges

DATE 13-01

## SPARE PART LIST

Item No.	Part No.	Part Name	Specifications	Stock No.	Qty	Price	Remarks
27	HM3337390159	Electronic control box assembly		M20B0159	1	\$ 387.54	
27.1	HM1237300033	Electronic control box		M20B0033	1	\$ 9.21	
27.2	HM2301901043	Radiator		M20B1043	1	\$ 45.09	
27.3	HM1237300162	Cover of electronic control box		M20B0162	1	\$ 9.21	
27.4	HM1337390096	Main control board assembly		M20B0096	1	\$ 359.62	
27.5	HM1137300162	Supporter of electronic control box		M20B0162	1	\$ 9.21	
28	HM3337590049	Terminal board assembly		M20B0049	1	\$ 47.47	
28.1	HM2301400223	Wire joint		M20B0223	1	\$ 13.96	
28.2	HM1135000004	Insulation plate		M20B0004	1	\$ 3.07	
28.3	HM1237590046	Terminal board		M20B0046	1	\$ 9.21	
29	HM1637391361	Liquid valve assembly		M20B1361	1	#N/A	
29.1	HM1600740523	Liquid valve		M20B0523	1	\$ 29.18	
30	HM1632390037	Gas valve assembly		M20B0037	1	\$ 190.98	
30.1	HM1600720095	Gas valve		M20B0095	1	\$ 42.44	
30.2	HM1600690010	4-Ways valve		M20B0010	1	\$ 101.63	
31	HM2301310068	Discharge temperature sensor assembly		M20B0068	1	\$ 11.17	
32	HM1400620600	Compressor		M20B0600	1	\$ 461.25	
33	HM2403100501	Crankcase electric heater		M20B0501	1	\$ 23.87	
40	HM2403100187	Electric heater of chassis		M20B0187	1	\$ 54.58	

This information is to be used by qualify technicians only

KSIM0919- Part list No. P1IM19091301

Above prices, numbers, specifications subject to revision without notice

Drawing No. D1IM19091301

Above prices are subject S & H charges

DATE 13-01