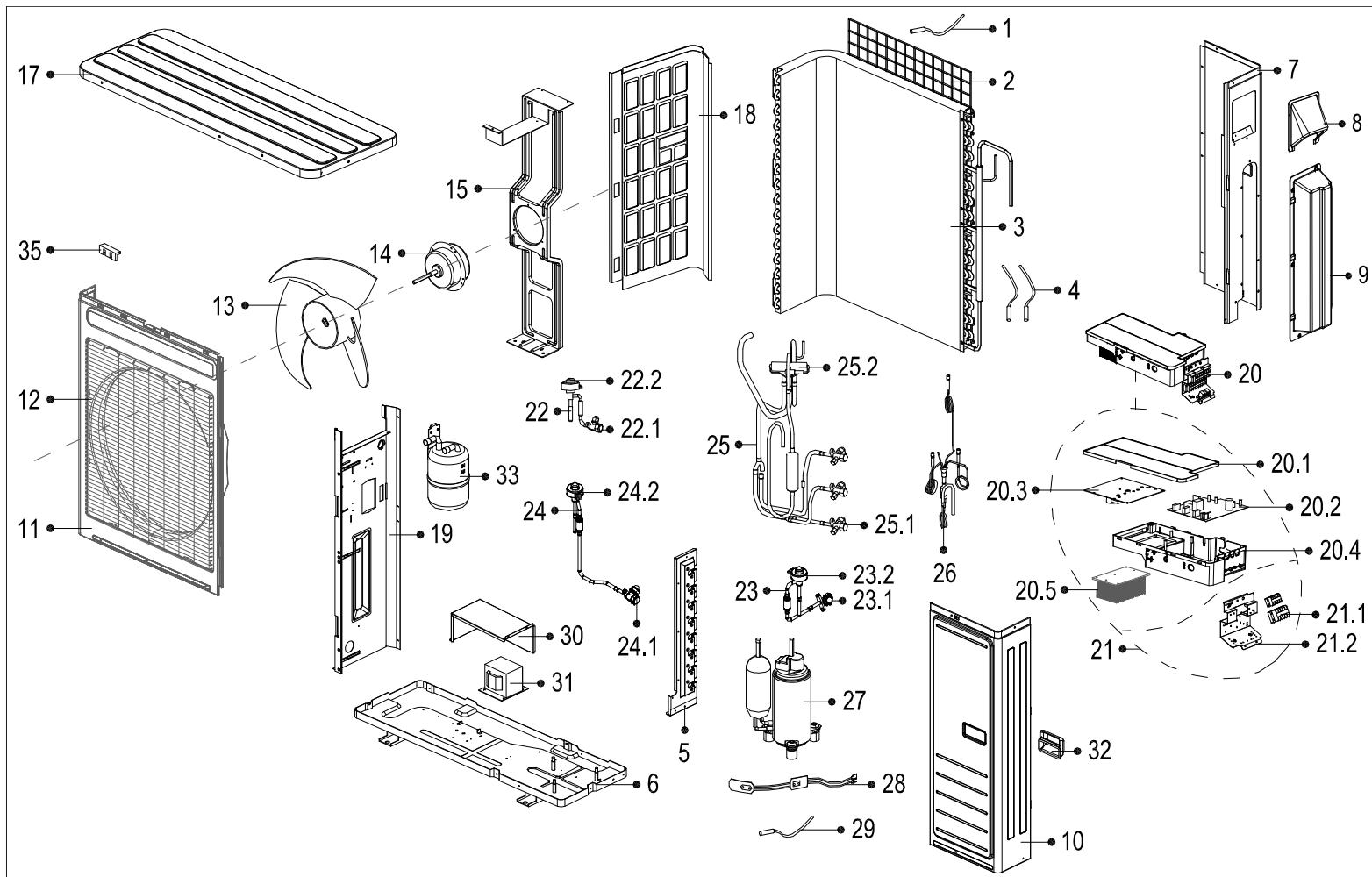


EXPLODED DIAGRAM - PARTS VIEW

Sales Model: KSIM330-H219

Power Supply: 208-230V~ / 1ph / 60Hz



This information is to be used by qualified HVAC technicians only and is subject to revision without notice

KSIM330-H219 - 3G - Drawing No. D1IM1407

DATE 14-06

KSIM330-H219 - SPARE PARTS LIST

No.	Part Number	Part Name	Specifications	Stock No.	Qty.	Price	Remarks
1	202301310075	Ambient temperature sensor assembly			1	\$5.94	
2	201248200136	Rear net			1	\$30.92	
3	201557190037	Condenser assembly			1	\$445.20	
4	202301300422	Pipe temperature sensor assembly			1	\$10.80	
4	202301300111	Pipe temperature sensor assembly			1	\$8.58	
5	201257190111	Valve plate			1	\$28.93	
6	201257190085	Chassis assembly			1	\$118.44	
7	201257190095	Rear right clapboard assembly			1	\$74.59	
8	201257190121	Big handle			1	\$14.10	
9	201157190014	Water collector			1	\$19.05	
10	201248200082	Front right clapboard assembly			1	\$76.86	
11	201248200132	Front panel			1	\$100.17	
12	201238090068	Air outlet grille			1	\$43.75	
13	201100300527	Axial flow fan			1	\$79.05	
14	202400300047	Brushless DC Motor			1	\$262.08	WZDK72-38G
15	201257190071	Supporter assembly of fan motor			1	\$72.66	
17	201248300309	Top cover assembly			1	\$73.57	
18	201248400034	Left supporter			1	\$50.49	
19	201257190115	Partition board assembly			1	\$59.42	
20	203357190098	Electronic control box assembly			1	\$545.32	
20.1	201157190011	Cover of electronic control box			1	\$36.05	
20.2	201357190102	Outdoor main control board assembly			1	\$208.04	
20.3	201357190085	Inverter control board assembly			1	\$350.28	

This information is to be used by qualified HVAC technicians only and is subject to revision without notice

KSIM330-H219 -3G - Parts List No. P1IM1407

Above prices are subject to S&H charges

DATE 14-06

KSIM330-H219 - SPARE PARTS LIST

No.	Part Number	Part Name	Specifications	Stock No.	Qty.	Price	Remarks
20.4	201157190010	Electronic installing box			1	\$73.70	
20.5	202301901173	Radiator			1	\$83.48	
21	203357190099	Terminal board assembly			1	\$96.39	
21.1	202301450156	Wire joint			2	\$20.10	
21.2	201257190120	Terminal board			1	\$7.92	
22	201657190352	Liquid valve assembly			1	\$166.01	
22.1	201600740091	Liquid valve			1	\$25.22	
22.2	201601300658	Electronic expansion valve assembly			1	\$134.19	
23	2016571A0069	Liquid valve assembly			1	\$162.86	
23.1	201600740091	Liquid valve			1	\$25.22	
23.2	201601300658	Electronic expansion valve assembly			1	\$134.19	
24	201657190542	Liquid valve assembly			1	\$166.32	
24.1	201600740091	Liquid valve			1	\$25.22	
24.2	201601300658	Electronic expansion valve assembly			1	\$134.19	
25	201657190430	4-ways valve assembly			1	\$231.26	
25.1	201600720091	Gas valve			3	\$41.04	
25.2	201600600119	4-ways valve			1	\$105.53	
26	201657190429	Capillary assembly			1	\$79.18	
27	201400601740	Compressor			1	\$688.85	DA250S2C-30MT
28	202403101715	Crankcase electric heater			1	\$36.34	
29	202448200000	Discharge temperature sensor assembly			1	\$17.10	
30	201248390003	Cover of inductance			1	\$15.15	
31	202301000943	Reactor			1	\$113.51	

This information is to be used by qualified HVAC technicians only and is subject to revision without notice

KSIM330-H219 -3G - Parts List No. P1IM1407

Above prices are subject to S&H charges

DATE 14-06

KSIM330-H219 - SPARE PARTS LIST

No.	Part Number	Part Name	Specifications	Stock No.	Qty.	Price	Remarks
32	201148700009	Handle			2	\$2.31	
33	201601000620	Accumulator cylinder			1	\$123.59	
35	201135110801	Clamp of front net			8	\$0.33	

This information is to be used by qualified HVAC technicians only and is subject to revision without notice

KSIM330-H219 -3G - Parts List No. P1IM1407

Above prices are subject to S&H charges

DATE 14-06