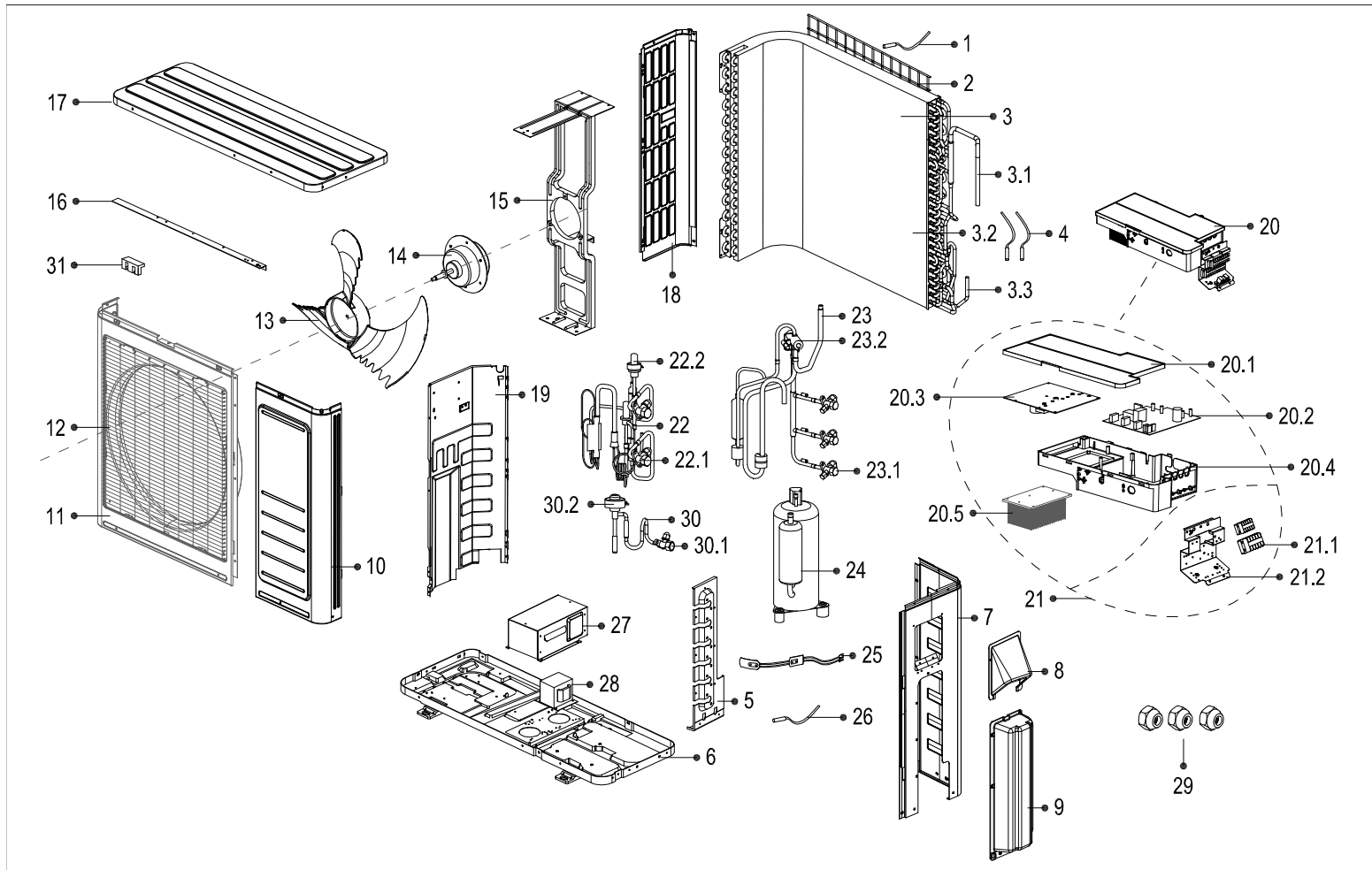


EXPLODED DIAGRAM - PARTS VIEW

Sales Model: KSIM30912-H216 | 2G

Power Supply: 208-230V~ / 1ph / 60Hz



This information is to be used by qualified HVAC technicians only and is subject to revision without notice

KSIM30912-H216 - 2G - Drawing No. D1M1307

DATE 13-05

KSIM30912-H216 - 2G - SPARE PARTS LIST

No.	Part Number	Part Name	Specifications	Stock No.	Qty.	Price	Remarks
1	202301310075	Ambient temperature sensor assembly			1	5.94	
2	201248100375	Rear net			1	26.79	
3	201537891070	Condenser assembly			1	435.33	
3.1	201638090955	Input pipe assembly			1	81.2175	
3.2	201537890069	Condenser			1	381.5175	
3.3	201638090954	Output pipe			1	4.125	
4	202440500004	Pipe temperature sensor assembly			1	7.755	
4	202301300422	Pipe temperature sensor assembly			1	10.8	
5	201257190109	Valve plate			1	32.3475	
6	201257090054	Chassis assembly			1	100.905	
7	201257190094	Rear right clapboard assembly			1	61.455	
8	201257190112	Big handle			1	13.2	
9	201157190013	Water collector			1	18.9	
10	201248100389	Front right clapboard assembly			1	56.4825	
11	201248100356	Front panel			1	72.165	
12	201237890112	Air outlet grille			1	42.18	
13	201100320622	Axial flow fan			1	45.7725	
14	202400401241	Asynchronous motor			1	203.4	YDK53-6FB(B)
15	2012481G0038	Supporter assembly of fan motor			1	54.1875	
16	201248100384	Rear supporter			1	7.26	
17	201257190097	Top cover assembly			1	65.025	
18	201248100364	Left supporter			1	34.2	
19	201257190118	Partition board assembly			1	55.845	

This information is to be used by qualified HVAC technicians only and is subject to revision without notice

KSIM30912-H216 -21G - Parts List No. P1IM1307

Above prices are subject to S&H charges

DATE 13-05

KSIM30912-H216 - 2G - SPARE PARTS LIST

No.	Part Number	Part Name	Specifications	Stock No.	Qty.	Price	Remarks
20	2033571A0061	Electronic control box assembly			1	525.945	
20.1	201157190011	Cover of electronic control box			1	36.0525	
20.2	201357190087	Outdoor main control board assembly			1	232.56	
20.3	201357190108	Inverter control board assembly			1	350.28	
20.4	201157190010	Installation plate of electric parts			1	73.695	
20.5	202301901173	Radiator			1	83.475	
21	203357190089	Terminal board assembly			1	97.335	
21.1	202301450156	Wire joint			2	20.1	
21.2	201257190117	Terminal board			1	9.24	
22	201657190427	Liquid valve assembly			1	252.855	
22.1	201600740097	Liquid valve			2	23.85	
22.2	201601300658	Electronic expansion valve assembly			2	134.19	
23	201657190425	4-ways valve assembly			1	204.66	
23.1	201600720091	Gas valve			3	41.04	
23.2	201600690011	4-ways valve			1	105.105	
24	201400600530	Compressor			1	691.1625	DA150S1C-20FZ
25	202403100500	Crankcase electric heater			1	33.2025	
26	202448200000	Discharge temperature sensor assembly			1	17.1	
27	201248090001	Cover of inductance			1	17.25	
28	202301000943	Reactor			1	137.8275	
29	201600320000	Copper nut			3	4.455	
30	201657190422	Liquid valve assembly			1	142.47	
30.1	201600740097	Liquid valve			1	23.85	

This information is to be used by qualified HVAC technicians only and is subject to revision without notice

KSIM30912-H216 -21G - Parts List No. P1IM1307

Above prices are subject to S&H charges

DATE 13-05

KSIM30912-H216 - 2G - SPARE PARTS LIST

No.	Part Number	Part Name	Specifications	Stock No.	Qty.	Price	Remarks
30.2	201601300658	Electronic expansion valve assembly			1	162.945	
31	201135110801	Clamp of front net			8	0.33	

This information is to be used by qualified HVAC technicians only and is subject to revision without notice

KSIM30912-H216 -21G - Parts List No. P1IM1307

Above prices are subject to S&H charges

DATE 13-05