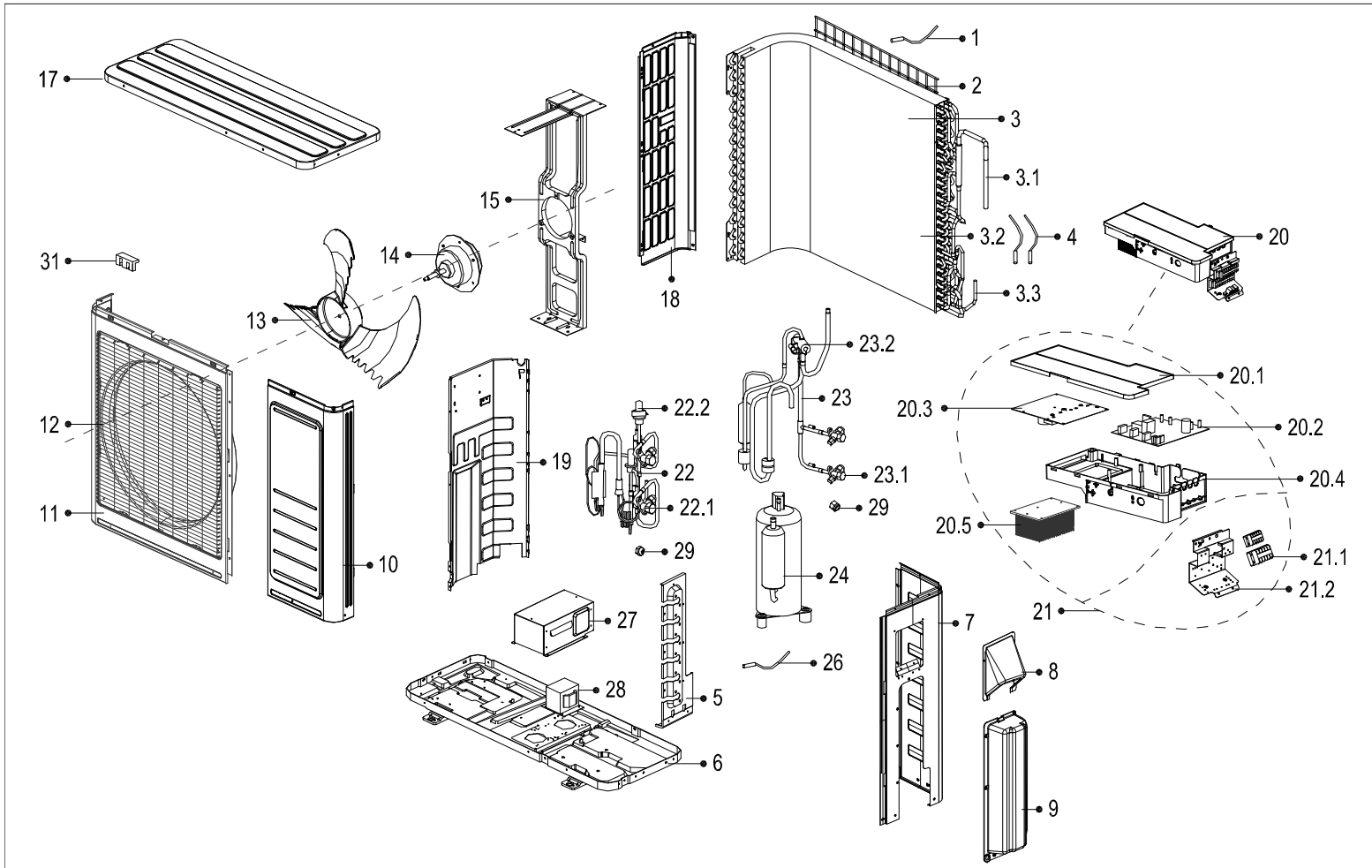


EXPLODED DIAGRAM - PARTS VIEW

Sale Model: KSIM218-H221 (220057000710)

Power Supply: 208-230V~ 60Hz 1Phase



This information is to be used by qualified HVAC technicians only and is subject to revision without notice

KSIM218-H221 - 3G - Drawing No. D1IM1403

DATE 14-06

KSIM20912-H216 -2G - SPARE PARTS LIST

No.	Part Number	Part Name	Specifications	Stock No.	Qty.	Price	Remarks
1	202301310075	Ambient temperature sensor assembly			1	\$5.94	
2	201248100375	Rear net			1	\$26.79	
3	201537990084	Condenser assembly			1	\$372.17	
3.1	201637991011	Input pipe assembly			1	\$23.10	
3.2	201537990003	Condenser			1	\$359.89	
3.3	201637991010	Output pipe			1	\$4.29	
4	202301300423	Pipe temperature sensor assembly			1	\$10.65	
4	202440500004	Pipe temperature sensor assembly			1	\$7.76	
5	201257190109	Valve plate			1	\$32.35	
6	201257090054	Chassis assembly			1	\$100.91	
7	201257190094	Rear right clapboard assembly			1	\$61.46	
8	201257190112	Big handle			1	\$13.20	
9	201157190013	Water collector			1	\$18.90	
10	201248100389	Front right clapboard assembly			1	\$56.48	
11	201248100356	Front panel			1	\$72.17	
12	201237890112	Air outlet grille			1	\$42.18	
13	201100300553	Axial flow fan			1	\$70.25	
14	202400300535	Brushless DC Motor			1	\$250.26	WZDK50-38G
15	201257090067	Supporter assembly of fan motor			1	\$69.62	
16	201248100384	Rear supporter			1	\$7.26	
17	201257190097	Top cover assembly			1	\$65.03	
18	201248100364	Left supporter			1	\$34.20	
19	201257190118	Partition board assembly			1	\$55.85	

This information is to be used by qualified HVAC technicians only and is subject to revision without notice

KSIM218-H221 - 3G - Parts List No. P1IM1403

Above prices are subject to S&H charges

DATE 14-06

KSIM20912-H216 - 2G - SPARE PARTS LIST

No.	Part Number	Part Name	Specifications	Stock No.	Qty.	Price	Remarks
20	203357090067	Electronic control box assembly			1	\$547.00	
20.1	201157190011	Cover of electronic control box			1	\$36.05	
20.2	201357090064	Outdoor main control board assembly			1	\$202.30	
20.3	201338090092	Inverter control board assembly			1	\$356.84	
20.4	201157190010	Installation plate of electric parts			1	\$73.70	
20.5	202301901173	Radiator			1	\$83.48	
21	203357090064	Terminal board assembly			1	\$79.38	
21.1	202301450157	Wire joint			1	\$27.36	
21.2	201257190117	Terminal board			1	\$9.24	
22	201657090500	Liquid valve assembly			1	\$228.89	
22.1	201600740097	Liquid valve			2	\$23.85	
22.2	201601300658	Electronic expansion valve assembly			2	\$134.19	
23	2016570A0025	4-ways valve assembly			1	\$199.46	
23.1	201600720091	Gas valve			2	\$41.04	
23.2	201600690011	4-ways valve			1	\$105.11	
24	201400600530	Compressor			1	\$691.16	DA150S1C-20FZ
26	202448200000	Discharge temperature sensor assembly			1	\$17.10	
27	201248090001	Cover of inductance			1	\$17.25	
28	202301000943	Reactor			1	\$113.51	
29	201600320000	Copper nut			2	\$4.46	
31	201135110801	Clamp of front net			8	\$0.33	

This information is to be used by qualified HVAC technicians only and is subject to revision without notice

KSIM218-H221 - 3G - Parts List No. P1IM1403

Above prices are subject to S&H charges

DATE 14-06