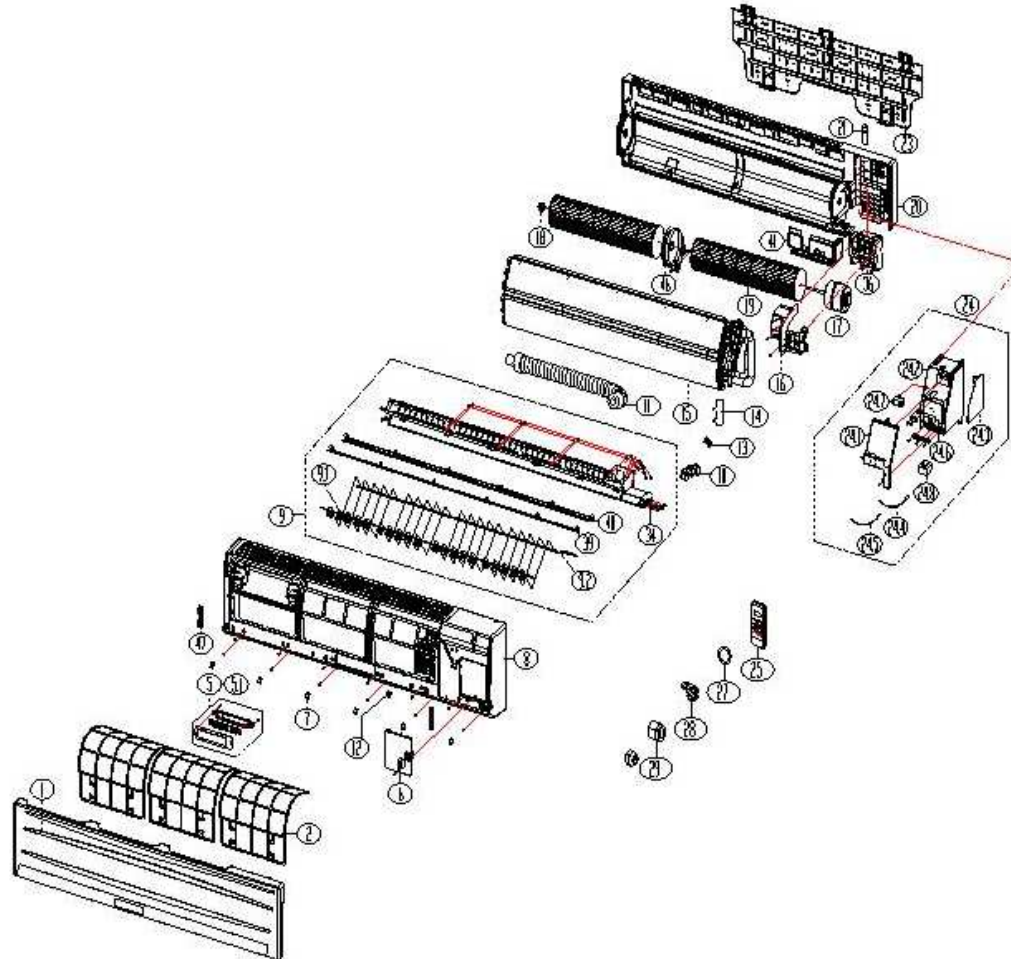


# EXPLODED DIAGRAM - PARTS VIEW

**Sales Model :** KSIL030-H216-I | 220033101400

**Power Supply :** 220-230V~ 60Hz 1Phase



This information is to be used by qualified HVAC technicians only and is subject to revision without notice

KSIL030-H216-I - Drawing No. D2IL1201

DATE 12-01

## KSIL030-H216-I - SPARE PARTS LIST

No.	Part Number	Part Name	Specifications	Stock No.	Qty.	Price	Remarks
1	201133190205	Panel assembly			1	\$138.77	
2	201133190183	Air filter			3	\$9.21	
5	203333190104	Display box assembly			1	\$103.59	
5.1	201319902134	Display board assembly			1	\$86.00	
6	201133190209	Cover of indoor electronic control box			1	\$6.14	
7	201133190182	Screw cap			6	\$3.07	
8	201133190195	Panel frame assembly			1	\$125.64	
9	201133190217	Air outlet assembly			1	\$105.54	
9.1	P0000858966	Vertical vane			20	—	
9.2	P0000858991	Louver holder			1	—	
9.2	P0000956191	Louver holder			1	—	
9.2	P0000858983	Louver holder			1	—	
9.2	P0000858987	Louver holder			1	—	
10	202400200136	Louver motor			2	\$3.63	
11	201101020038	Drain hose			1	\$0.56	
12	201130490002	Baffle of temperature sensor			1	\$0.28	
13	201131390119	Temperature sensor clamp			1	\$0.28	
15	201533190088	Evaporator assembly			1	\$130.95	
16	201133190185	Fan motor cover			1	\$1.12	
17	202400401186	Asynchronous motor			1	\$27.08	
18	202733190001	Bearing base			1	\$0.28	
18	202730100201	Bearing base			1	\$0.28	
19	201100200308	Cross flow fan			1	\$7.82	
19	201100200309	Cross flow fan			1	\$7.82	

This information is to be used by qualified HVAC technicians only and is subject to revision without notice

KSIL030-H216-I - Parts List No. P2IL1201

Above prices are subject to S&H charges

DATE 12-01

## KSIL030-H216-I - SPARE PARTS LIST

No.	Part Number	Part Name	Specifications	Stock No.	Qty.	Price	Remarks
20	201133190208	Chassis assembly			1	\$30.43	
21	201232800001	Pipe clamp board			2	\$0.28	
23	201233190005	Installation plate			1	\$8.66	
24	203333190109	Electronic control box assembly			1	\$33.78	
24.1	201133190184	Cover of electronic control box			1	\$0.84	
24.2	201133190200	Electronic control box			1	\$4.19	
24.3	201333190137	Main control board assembly			1	\$18.71	
24.4	202301300092	Indoor temperature sensor assembly			1	\$0.56	
24.5	202301300080	Pipe temperature sensor assembly			1	\$0.56	
24.6	202301450128	Wire joint			1	\$0.84	
24.7	202401100353	Fan motor capacitor			1	\$0.56	
24.8	202300900167	Transformer			1	\$6.14	
25	203355091469	Remote Controller			1	\$3.63	
27	202720090001	Seal ring			1	\$0.28	
28	201101020011	Drain connecter			1	\$0.28	
29	201600330004	Nut			1	\$0.28	
29	201600330002	Nut			1	\$0.28	
34	201132390954	Insulated axis			4	\$0.28	
36	201133190186	Base of fan motor			1	\$1.40	
39	201133190192	Horizontal louver (above)			1	\$2.51	
40	201133190191	Horizontal louver (below)			1	\$2.51	
41	201133190187	Front cover of chassis			1	\$1.40	
46	201133190190	Fan holder assembly			1	\$1.12	
47	201132390476	Mandrill of Panel			2	\$0.28	

This information is to be used by qualified HVAC technicians only and is subject to revision without notice

KSIL030-H216-I - Parts List No. P2IL1201

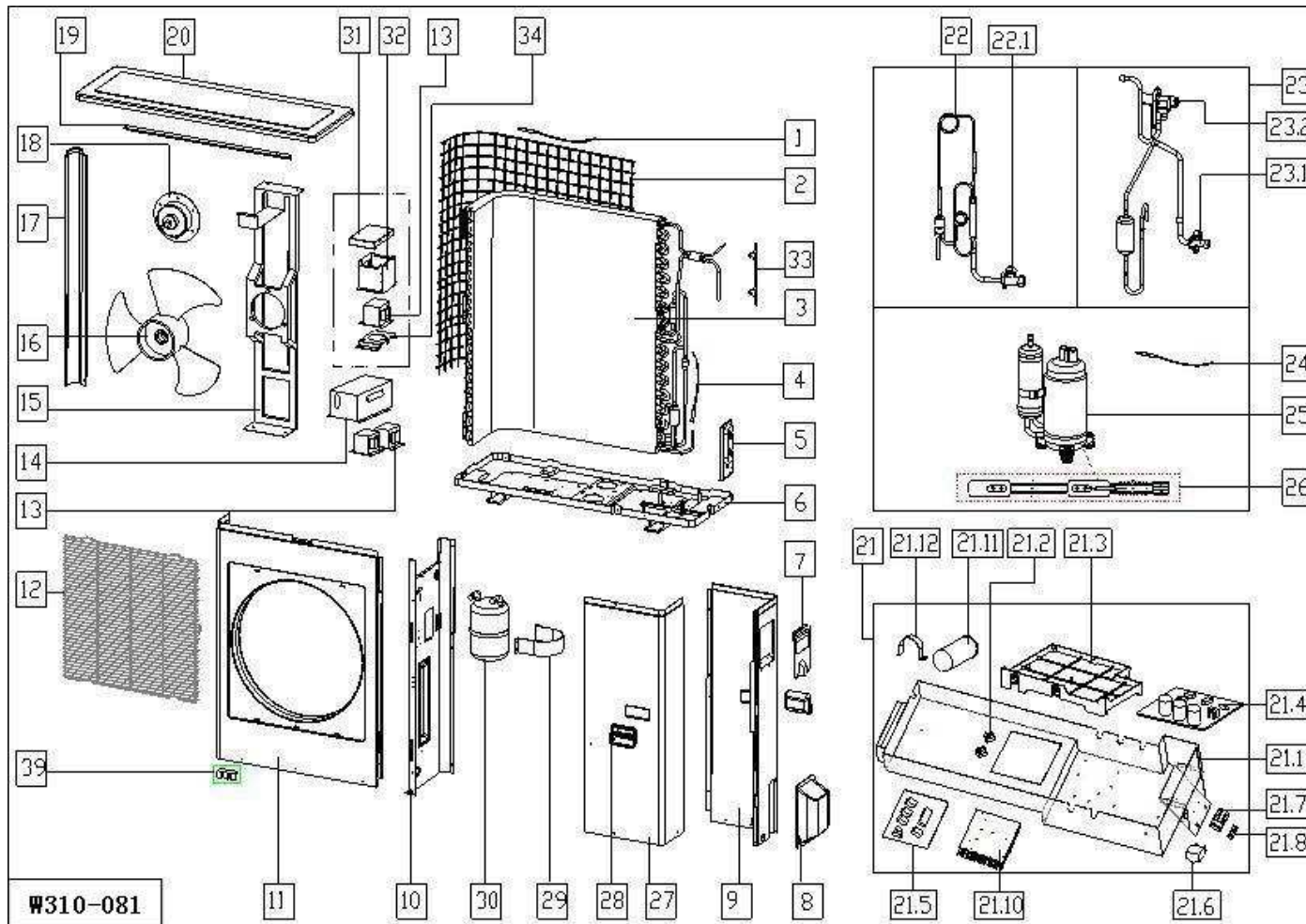
Above prices are subject to S&H charges

DATE 12-01

# EXPLODED DIAGRAM - PARTS VIEW

**Sales Model :** KSIL030-H216-O | 220038101310

**Power Supply :** 220-230V~ / 1ph / 60Hz



This information is to be used by qualified HVAC technicians only and is subject to revision without notice

KSIL030-H216-O - Drawing No. D1IL1201

DATE 12-01

## KSIL030-H216-O - SPARE PARTS LIST

No.	Part Number	Part Name	Specifications	Stock No.	Qty.	Price	Remarks
1	202301310075	Indoor temperature sensor assembly			1	\$6.14	
2	2011482G0001	Rear net			1	\$13.96	
3	201538090077	Condenser assembly			1	\$610.76	
4	202301300111	Pipe temperature sensor assembly			1	\$9.21	
5	201248300316	Valve plate			1	\$11.17	
6	201257190085	Chassis assembly			1	\$121.18	
7	201237390104	Big handle			1	\$9.21	
8	201138090005	Water collector			1	\$9.21	
9	201238090067	Rear right clapboard assembly			1	\$75.94	
10	201257390018	Partition board assembly			1	\$59.33	
11	201248200130	Front panel			1	\$105.54	
12	201238090068	Air outlet grille			1	\$39.79	
13	202301000913	Reactance			1	\$95.77	
13	202301050027	Reactance			1	\$152.45	
13	202301050025	Reactance			1	\$165.85	
14	201248390003	Cover of inductance			1	\$13.96	
15	201238090007	Supporter assembly of fan motor			1	\$70.36	
16	201100300042	Axial flow fan			1	\$56.96	
17	201248400036	Left supporter			1	\$16.75	
18	202400410666	Asynchronous motor			1	\$212.76	
19	201248200095	Rear supporter			1	\$11.17	
20	201248300309	Top cover assembly			1	\$73.57	
21	203338190098	Electronic control box assembly			1	\$600.01	
21.1	201238190016	Electronic control box			1	\$52.21	
21.2	202300500328	Rectifier bridge			2	\$22.34	
21.3	201157390005	Installation plate of PCB			1	\$16.75	

This information is to be used by qualified HVAC technicians only and is subject to revision without notice

KSIL030-H216-O - Parts List No. P1IL1201

Above prices are subject to S&H charges

DATE 12-01

## KSIL030-H216-O - SPARE PARTS LIST

No.	Part Number	Part Name	Specifications	Stock No.	Qty.	Price	Remarks
21.4	201338190072	Main control board assembly			1	#N/A	
21.5	201338190053	Inverter control board assembly			1	\$299.31	
21.6	202401190019	Fan motor capacitor			1	\$6.14	
21.7	202301470038	Wire joint			1	\$9.21	
21.7	202301450122	Wire joint			1	\$3.07	
21.8	201135000004	Insulation plate			1	\$3.07	
21.1	202301900126	Radiator			1	\$111.40	
21.11	202401070068	Capacitor of compressor			1	\$37.13	
21.12	201200100027	Capacitor clip			1	\$3.07	
22	201638190490	liquid valve assembly			1	\$66.45	
22.1	201600740706	Liquid valve			1	\$26.52	
23	201638190294	4-way valve assembly			1	\$219.46	
23.1	201600720398	Gas valve			1	\$64.08	
23.2	201600600119	4-Ways valve			1	#N/A	
24	202448200000	Discharge temperature sensor assembly			1	\$11.17	
25	201400601740	Compressor			1	\$1,027.06	
26	202403100503	Crankcase electric heater			1	\$26.52	
27	201248200135	Front right clapboard assembly			1	\$78.18	
28	201148700009	Handle			2	\$3.07	
29	201245000901	Fix clamp of segregator			1	\$6.14	
30	201601000086	accumulator cylinder			1	\$122.29	
31	201248390001	Inductance cover			1	\$3.07	
32	201248390002	Protecting board of inductance			1	\$6.14	
33	201137990000	Waterproof board			1	\$3.07	
34	201250200305	Inductance holder			1	\$6.14	
39	201135110801	Clamp of front net			8	\$3.07	

This information is to be used by qualified HVAC technicians only and is subject to revision without notice

KSIL030-H216-O - Parts List No. P1IL1201

Above prices are subject to S&H charges

DATE 12-01