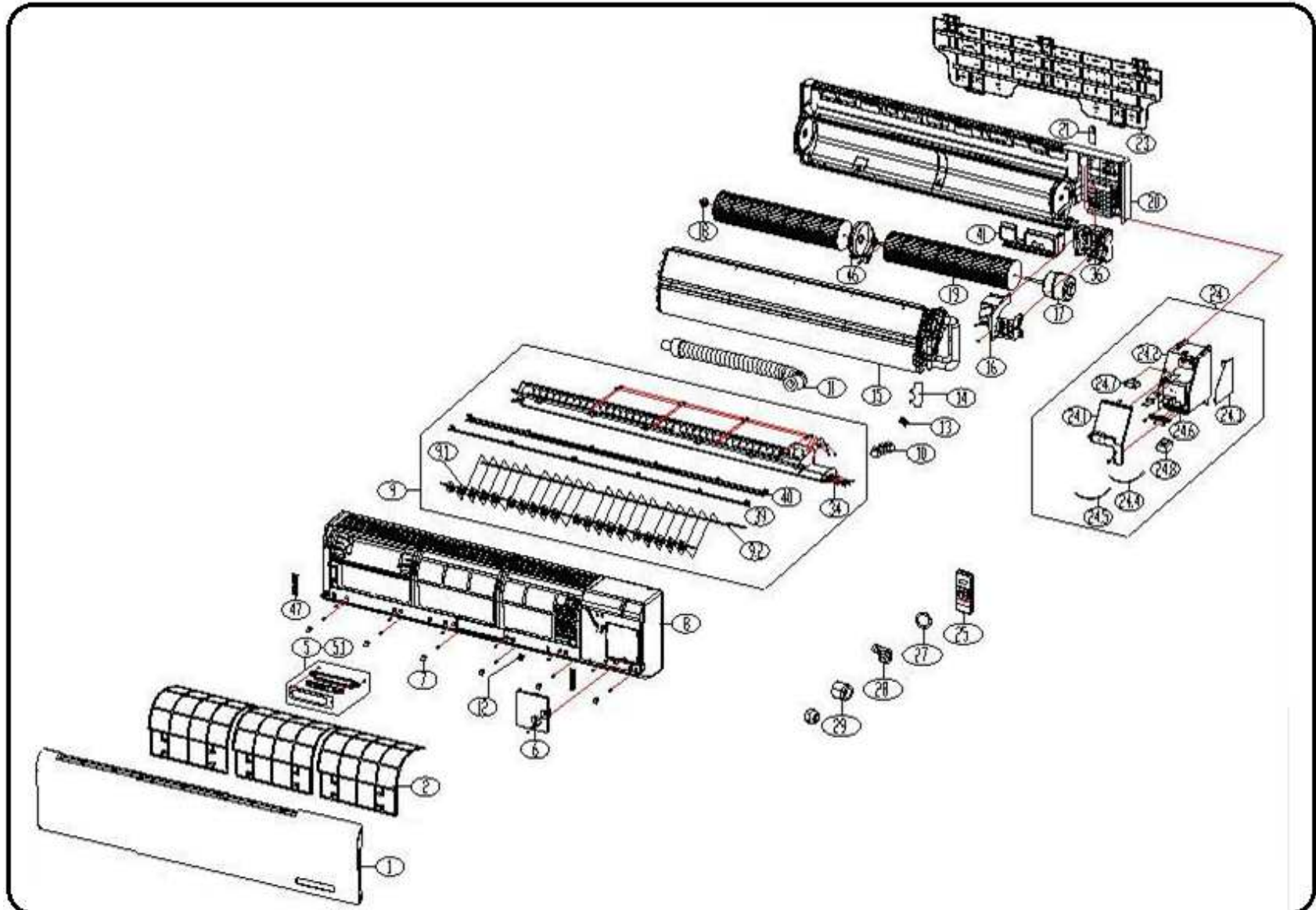


# EXPLODED DIAGRAM - PARTS VIEW

Sales Model : KSIL024-H219-I

M36A

Power Supply : 208-230V~ / 1ph / 60Hz



This information is to be used by qualify AC technicians only

KSIL2419- Drawing No. D2IL19241301

Above information subject to revision without notice

DATE 13-01

## KSIL024-H219-I - SPARE PARTS LIST

No.	Part No.	Part Name	Specifications	Stock No.	Qty	Price	Remarks
1	WI11331A0619	Panel assembly		M36A0619	1	#N/A	
2	WI1133190183	Air filter		M36A0183	3	\$ 9.21	
5	WI33323A1060	Display box assembly		M36A1060	1	\$ 91.86	
5.1	WI1319900960	Display board assembly		M36A0960	1	\$ 76.22	
6	WI1133190209	Cover of indoor electronic control box		M36A0209	1	\$ 6.14	
7	WI1133190182	Screw cap		M36A0182	6	\$ 3.07	
8	WI1133190195	Panel frame assembly		M36A0195	1	\$ 125.64	
9	WI1133190194	Air outlet assembly		M36A0194	1	\$ 95.77	
9.1	WI0000858966	Vertical vane		M36A8966	20	#N/A	
9.2	WI0000956191	Louver holder		M36A6191	1	#N/A	
9.2	WI0000867119	Louver holder		M36A7119	1	#N/A	
9.2	WI0000858991	Louver holder		M36A8991	1	#N/A	
9.2	WI0000858983	Louver holder		M36A8983	1	#N/A	
9.2	WI0000858987	Louver holder		M36A8987	1	#N/A	
10	WI2400200137	Louver motor		M36A0137	1	\$ 16.75	
10	WI2400200136	Louver motor		M36A0136	2	\$ 34.48	
11	WI1101020038	Drain hose		M36A0038	1	\$ 6.14	
12	WI1130490002	Baffle of temperature sensor		M36A0002	1	\$ 3.07	
13	WI1131390119	Temperature sensor clamp		M36A0119	1	\$ 3.07	
14	WI1126290000	Waterproof board		M36A0000	2	\$ 3.07	
15	WI1533190088	Evaporator assembly		M36A0088	1	\$ 458.32	
16	WI1133190185	Fan motor cover		M36A0185	1	\$ 11.17	
17	WI2400401186	Asynchronous motor		M36A1186	1	\$ 162.50	
18	WI2733190001	Bearing base		M36A0001	1	\$ 3.07	
18	WI2730100201	Bearing base		M36A0201	1	\$ 3.07	
19	WI1100200308	Cross flow fan		M36A0308	1	\$ 66.45	
19	WI1100200309	Cross flow fan		M36A0309	1	\$ 66.45	
20	WI1133190208	Chassis assembly		M36A0208	1	\$ 182.60	

This information is to be used by qualify technicians only

KSIL2419- Part list No. P2IL19241301

Above prices, numbers, specifications subject to revision without notice

Drawing No. D2IL19241301

Above prices are subject S & H charges

DATE 13-01

## KSIL024-H219-I - SPARE PARTS LIST

No.	Part No.	Part Name	Specifications	Stock No.	Qty	Price	Remarks
21	WI1232800001	Pipe clamp board		M36A0001	2	\$ 3.07	
23	WI1233190005	Installation plate		M36A0005	1	\$ 73.57	
24	WI3333090408	Electronic control box assembly		M36A0408	1	\$ 201.03	
24.1	WI1133190184	Cover of electronic control box		M36A0184	1	\$ 9.21	
24.2	WI1133190200	Electronic control box		M36A0200	1	\$ 39.79	
24.3	WI1333090567	Main control board assembly		M36A0567	1	\$ 128.99	
24.4	WI2301300092	Indoor temperature sensor assembly		M36A0092	1	\$ 6.14	
24.5	WI2301300080	Pipe temperature sensor assembly		M36A0080	1	\$ 6.14	
24.6	WI2301450128	Wire joint		M36A0128	1	\$ 9.21	
24.7	WI2401100353	Fan motor capacitor		M36A0353	1	\$ 6.14	
24.8	WI2300900167	Transformer		M36A0167	1	\$ 52.21	
25	WI3355091469	Remote Controller		M36A1469	1	\$ 34.48	
27	WI2720090001	Seal ring		M36A0001	1	\$ 3.07	
28	WI1101020011	Drain connecter		M36A0011	1	\$ 3.07	
29	WI1600330004	Nut		M36A0004	1	\$ 3.07	
29	WI1600330002	Nut		M36A0002	1	\$ 3.07	
34	WI1132390954	Insulated axis		M36A0954	4	\$ 3.07	
36	WI1133190186	Base of fan motor		M36A0186	1	\$ 13.96	
39	WI1133190192	Horizontal louver (above)		M36A0192	1	\$ 23.87	
40	WI1133190191	Horizontal louver (below)		M36A0191	1	\$ 23.87	
41	WI1133190187	Front cover of chassis		M36A0187	1	\$ 13.96	
46	WI1133190190	Fan holder assembly		M36A0190	1	\$ 11.17	
47	WI1132390476	Mandril of Panel		M36A0476	2	\$ 3.07	

This information is to be used by qualify technicians only

KSIL2419- Part list No. P2IL19241301

Above prices, numbers, specifications subject to revision without notice

Drawing No. D2IL19241301

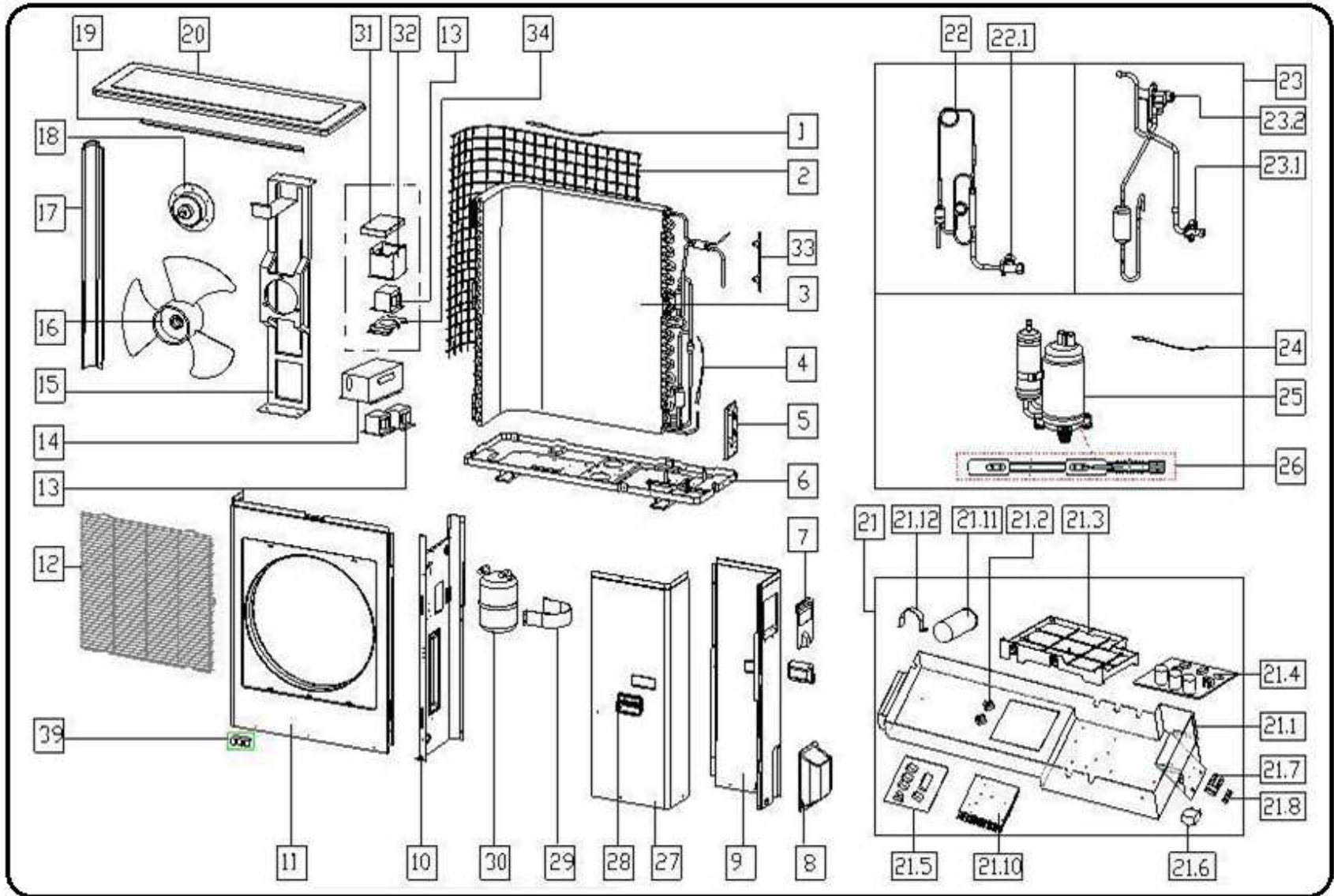
Above prices are subject S & H charges

DATE 13-01

# EXPLODED DIAGRAM - PARTS VIEW

Model : KSIL024-H219-O  
 Power Supply : 208-230V~ 60Hz 1Phase

M36B



This information is to be used by qualify AC technicians only  
 Above information subject to revision without notice

KSIL2419- Drawing No. D11L19241301  
 DATE 13-01

## KSIL024-H219-O - SPARE PARTS LIST

No.	Part No.	Part Name	Specifications	Stock No.	Qty	Price	Remarks
1	HM2301310075	Indoor temperature sensor assembly		M36B0075	1	\$ 6.14	
2	HM11482G0001	Rear net		M36B0001	1	\$ 13.96	
3	HM1538090077	Condenser assembly		M36B0077	1	\$ 610.76	
4	HM2301300111	Pipe temperature sensor assembly		M36B0111	1	\$ 9.21	
5	HM1248300316	Valve plate		M36B0316	1	\$ 11.17	
6	HM1257190085	Chassis assembly		M36B0085	1	\$ 121.18	
7	HM1237390104	Big handle		M36B0104	1	\$ 9.21	
8	HM1138090005	Water collector		M36B0005	1	\$ 9.21	
9	HM1238090067	Rear right clapboard assembly		M36B0067	1	\$ 75.94	
10	HM1257390018	Partition board assembly		M36B0018	1	\$ 59.33	
11	HM1248200130	Front panel		M36B0130	1	\$ 105.54	
12	HM1238090068	Air outlet grille		M36B0068	1	\$ 39.79	
13	HM2301000913	Reactance		M36B0913	1	\$ 95.77	
13	HM2301050027	Reactance		M36B0027	1	\$ 152.45	
13	HM2301050025	Reactance		M36B0025	1	\$ 165.85	
14	HM1248390003	Cover of inductance		M36B0003	1	\$ 13.96	
15	HM1238090007	Supporter assembly of fan motor		M36B0007	1	\$ 70.70	
16	HM1100300042	Axial flow fan		M36B0042	1	\$ 56.96	
17	HM1248400036	Left supporter		M36B0036	1	\$ 16.75	
18	HM2400410666	Asynchronous motor	YDK53-6NB(YDK53-6N-3)	M36B0666	1	\$ 212.76	
19	HM1248200095	Rear supporter		M36B0095	1	\$ 11.17	
20	HM1248300309	Top cover assembly		M36B0309	1	\$ 73.57	
21	HM3338190091	Electronic control box assembly		M36B0091	1	\$ 593.17	
21.1	HM1238190016	Electronic control box		M36B0016	1	\$ 52.21	
21.2	HM2300500328	Rectifier bridge		M36B0328	2	\$ 22.34	
21.3	HM1157390005	Installation plate of PCB		M36B0005	1	\$ 16.75	
21.4	HM1338190073	Main control board assembly		M36B0073	1	#N/A	
21.5	HM1338190054	Inverter control board assembly		M36B0054	1	\$ 299.31	
21.6	HM2401190019	Fan motor capacitor	2.5 $\mu$ F 450 VAC	M36B0019	1	\$ 6.14	
21.7	HM2301470038	Wire joint		M36B0038	1	\$ 9.21	
21.7	HM2301450122	Wire joint		M36B0122	1	\$ 3.07	

This information is to be used by qualify technicians only

KSIL2419- Part list No. P11L19241301

Above prices, numbers, specifications subject to revision without notice

Drawing No. D11L19241301

Above prices are subject S & H charges

DATE 13-01

## KSIL024-H219-O - SPARE PARTS LIST

No.	Part No.	Part Name	Specifications	Stock No.	Qty	Price	Remarks
21.8	HM1135000004	Insulation plate		M36B0004	1	\$ 3.07	
21.10	HM2301900091	Radiator		M36B0091	1	\$ 89.90	
21.11	HM2401070068	Capacitor of compressor	50µF 450 VAC	M36B0068	1	\$ 37.13	
21.12	HM1200100027	Capacitor clip		M36B0027	1	\$ 3.07	
22	HM1638090346	liquid valve assembly		M36B0346	1	\$ 61.70	
22.1	HM1600740706	Liquid valve		M36B0706	1	\$ 26.52	
23	HM1638190294	4-Ways valve assembly		M36B0294	1	\$ 219.46	
23.1	HM1600720398	Gas valve		M36B0398	1	\$ 64.08	
23.2	HM1600600119	4-Ways valve		M36B0119	1	#N/A	
24	HM2448200000	Discharge temperature sensor assembly		M36B0000	1	\$ 11.17	
25	HM1400601740	Compressor		M36B1740	1	\$ 1,027.06	
26	HM2403100503	Crankcase electric heater		M36B0503	1	\$ 26.52	
27	HM1248200135	Front right clapboard assembly		M36B0135	1	\$ 78.18	
28	HM1148700009	Handle		M36B0009	2	\$ 3.07	
29	HM1245000901	Fix clamp of segregator		M36B0901	1	\$ 6.14	
30	HM1601000086	accumulator cylinder		M36B0086	1	\$ 122.29	
31	HM1248390001	Inductance cover		M36B0001	1	\$ 3.07	
32	HM1248390002	Protecting board of inductance		M36B0002	1	\$ 6.14	
33	HM1137990000	Waterproof board		M36B0000	1	\$ 3.07	
34	HM1250200305	Inductance holder		M36B0305	1	\$ 6.14	
39	HM1135110801	Clamp of front net		M36B0801	8	\$ 3.07	

This information is to be used by qualify technicians only

KSIL2419- Part list No. P11L19241301

Above prices, numbers, specifications subject to revision without notice

Drawing No. D11L19241301

Above prices are subject S & H charges

DATE 13-01