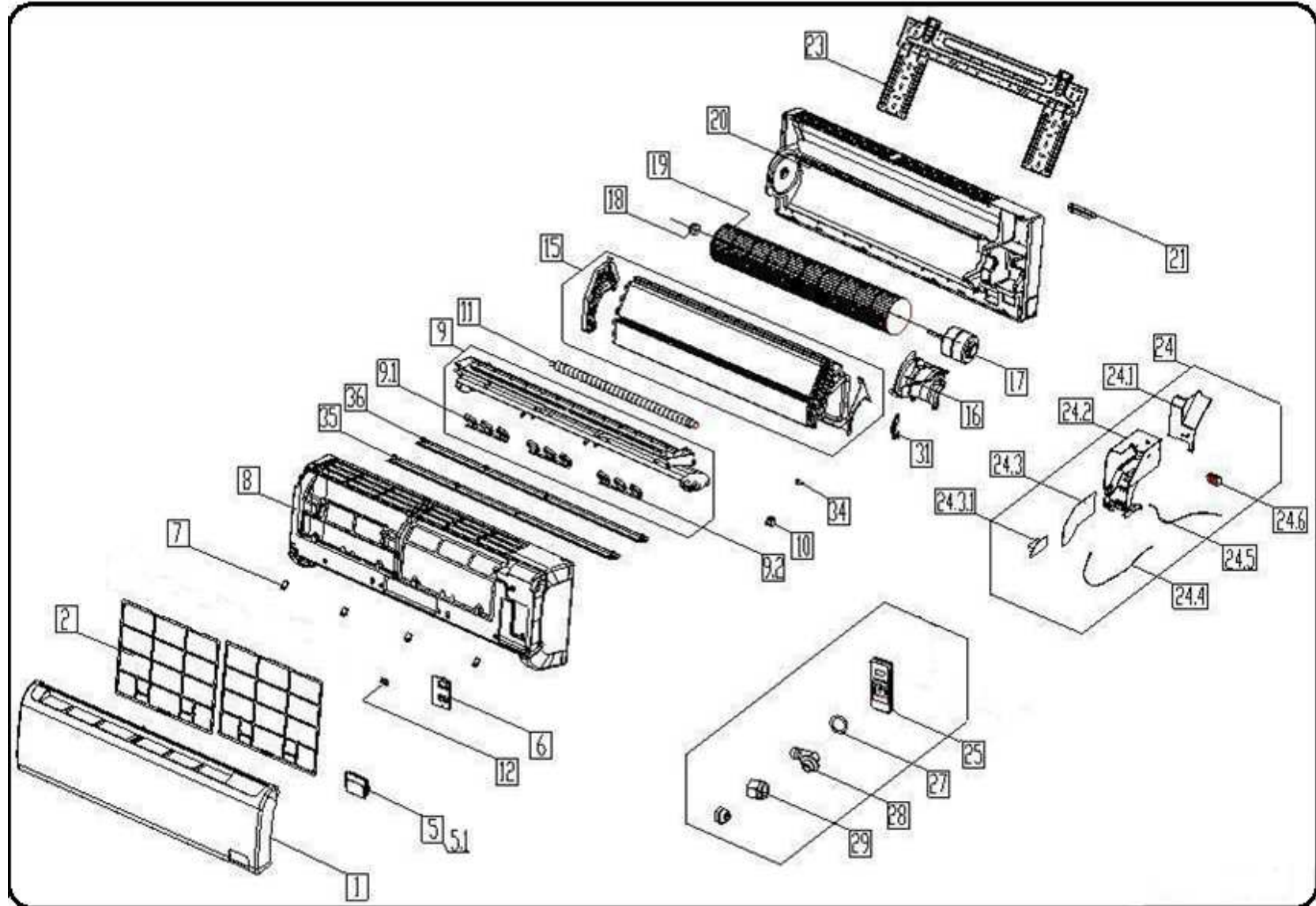


EXPLODED DIAGRAM - PARTS VIEW

Sales Model : KSIL018-H219-I

M35A

Power Supply : 208-230V~ / 1ph / 60Hz



This information is to be used by qualify AC technicians only

KSIL1819- Drawing No. D2I19181301

Above information subject to revision without notice

DATE 13-01

KSIL018-H219-I - SPARE PARTS LIST

No.	Part No.	Part Name	Specifications	Stock No.	Qty	Price	Remarks
1	WI1133090455	Panel assembly		M35A0455	1	\$ 75.94	
2	WI1133090459	Air filter		M35A0459	2	\$ 9.21	
5	WI3332890292	Display box assembly		M35A0292	1	\$ 66.45	
5.1	WI1332390804	Display board assembly		M35A0804	1	#N/A	
6	WI1133090452	Cover of indoor electronic control box		M35A0452	1	\$ 3.07	
7	WI1133090623	Screw cap		M35A0623	4	\$ 3.07	
8	WI1133090938	Panel frame assembly		M35A0938	1	\$ 70.70	
9	WI1133090458	Air outlet assembly		M35A0458	1	\$ 68.82	
9.1	WI1133090440	Vertical vane		M35A0440	12	\$ 3.07	
9.2	WI1132800079	Louver holder		M35A0079	3	\$ 3.07	
10	WI2400200004	Louver motor		M35A0004	1	\$ 23.87	
11	WI1101020038	Drain hose		M35A0038	1	\$ 6.14	
15	WI1532990038	Evaporator assembly		M35A0038	1	\$ 265.80	
16	WI1133090196	Fan motor cover		M35A0196	1	\$ 9.21	
17	WI2400400931	Asynchronous motor		M35A0931	1	\$ 137.37	
18	WI2730100201	Bearing base		M35A0201	1	\$ 3.07	
19	WI11002G0001	Cross flow fan		M35A0001	1	\$ 76.22	
20	WI1133090422	Chassis assembly		M35A0422	1	\$ 136.81	
21	WI1232800001	Pipe clamp board		M35A0001	1	\$ 3.07	
23	WI1232990001	Installation plate		M35A0001	1	\$ 23.87	
24	WI3332890400	Electronic control box assembly		M35A0400	1	\$ 209.40	
24.1	WI1133090166	Cover of electronic control box		M35A0166	1	\$ 11.17	
24.2	WI1133090165	Electronic control box		M35A0165	1	\$ 23.87	
24.3	WI1332890369	Main control board assembly		M35A0369	1	\$ 174.22	

This information is to be used by qualify technicians only

KSIL1819- Part list No. P2IL19181301

Above prices, numbers, specifications subject to revision without notice

Drawing No. D2IL19181301

Above prices are subject S & H charges

DATE 13-01

KSIL018-H219-I - SPARE PARTS LIST

No.	Part No.	Part Name	Specifications	Stock No.	Qty	Price	Remarks
24.3.1	WI2401270007	Fan motor capacitor		M35A0007	1	\$ 6.14	
24.4	WI2301300092	Indoor temperature sensor assembly		M35A0092	1	\$ 6.14	
24.5	WI2301300077	Pipe temperature sensor assembly		M35A0077	1	\$ 6.14	
24.6	WI2301450119	Wire joint		M35A0119	1	\$ 9.21	
25	WI3355091469	Remote Controller		M35A1469	1	\$ 34.48	
27	WI2720090001	Seal ring		M35A0001	1	\$ 3.07	
28	WI1101020011	Drain connecter		M35A0011	1	\$ 3.07	
29	WI1600330002	Nut		M35A0002	1	\$ 3.07	
29	WI1600330004	Nut		M35A0004	1	\$ 3.07	
31	WI1133090167	Fixing board of fan motor		M35A0167	1	\$ 3.07	
34	WI1131390149	insulated axis		M35A0149	2	\$ 3.07	
35	WI1133090939	Horizontal louver (above)		M35A0939	1	\$ 16.75	
36	WI1133090940	Horizontal louver (below)		M35A0940	1	\$ 16.75	
39	WI1102000305	Fix clamp of temperature sensor		M35A0305	1	\$ 3.07	

This information is to be used by qualify technicians only

KSIL1819- Part list No. P2IL19181301

Above prices, numbers, specifications subject to revision without notice

Drawing No. D2IL19181301

Above prices are subject S & H charges

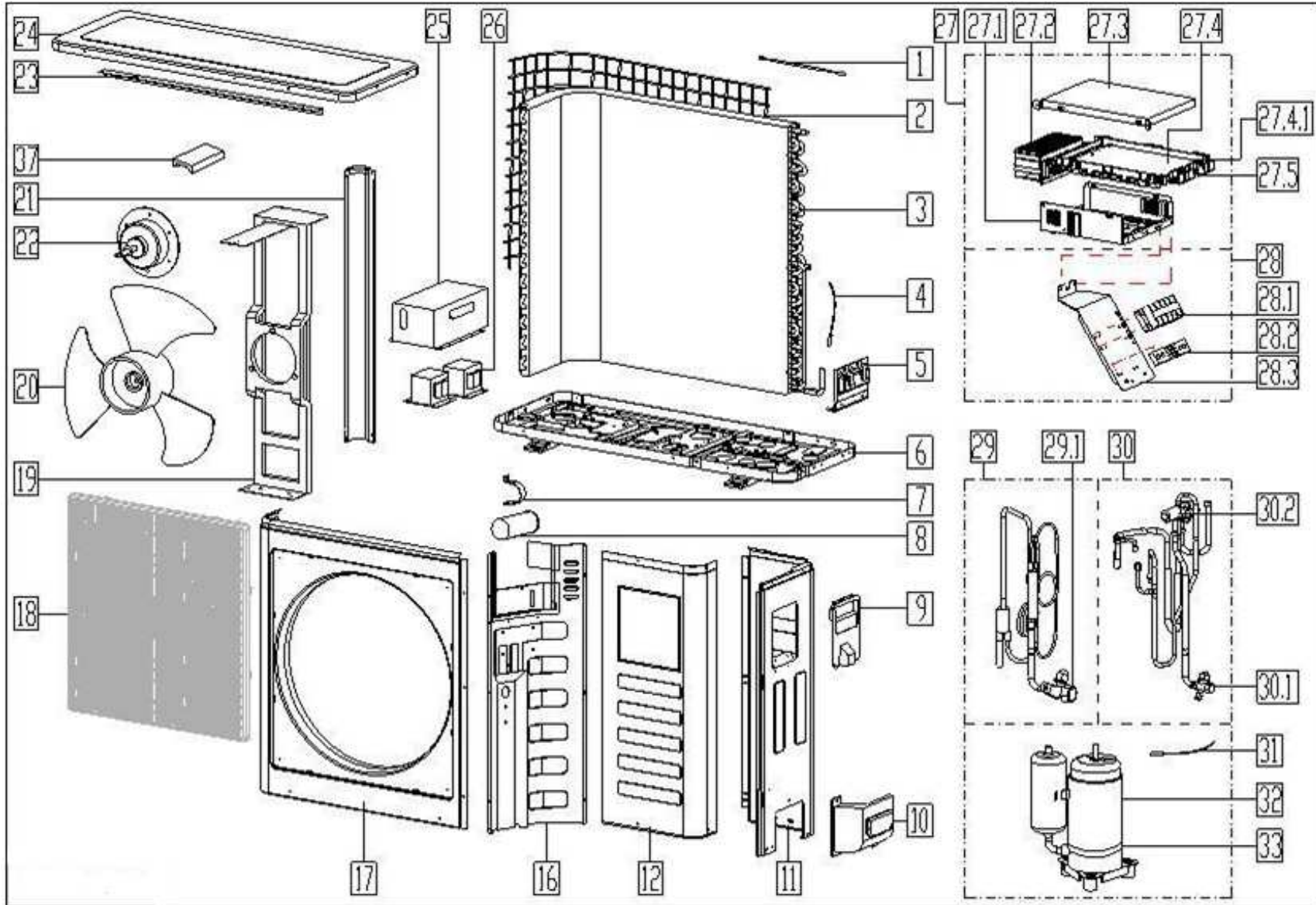
DATE 13-01

EXPLODED DIAGRAM - PARTS VIEW

Sales Model : KSIL018-H219-O

M35B

Power Supply : 208-230V~ / 1ph / 60Hz



This information is to be used by qualify AC technicians only

KSIL1819- Drawing No. D1IL19181301

Above information subject to revision without notice

DATE 13-01

KSIL018-H219-O - SPARE PARTS LIST

No.	Part No.	Part Name	Specifications	Stock No.	Qty	Price	Remarks
1	HM2301310075	Indoor temperature sensor assembly		M35B0075	1	\$ 6.14	
2	HM11481G0001	Rear net		M35B0001	1	\$ 11.17	
3	HM1537990036	Condenser assembly		M35B0036	1	\$ 360.73	
4	HM2440500004	Pipe temperature sensor assembly		M35B0004	1	\$ 6.14	
5	HM1237300285	Valve plate		M35B0285	1	\$ 6.14	
6	HM1257090054	Chassis assembly		M35B0054	1	\$ 93.81	
7	HM1200100002	Capacitor clip		M35B0002	1	\$ 3.07	
8	HM2401000612	Capacitor of compressor	35 μ F 440 VAC	M35B0612	1	\$ 26.52	
9	HM1237390104	Big handle		M35B0104	1	\$ 9.21	
10	HM1137390017	Water collector		M35B0017	1	\$ 9.21	
11	HM1237890100	Rear right clapboard assembly		M35B0100	1	\$ 54.58	
12	HM1248100350	Front right clapboard assembly		M35B0350	1	\$ 42.72	
16	HM1237790031	Partition board assembly		M35B0031	1	\$ 45.09	
17	HM1248100359	Front panel		M35B0359	1	\$ 83.06	
18	HM1237890112	Air outlet grille		M35B0112	1	\$ 39.79	
19	HM1257090031	Supporter assembly of fan motor		M35B0031	1	\$ 49.84	
20	HM1145500002	Axial flow fan		M35B0002	1	\$ 75.94	
21	HM1248100367	Left supporter		M35B0367	1	\$ 16.75	
22	HM2400300033	Asynchronous motor		M35B0033	1	\$ 262.45	
23	HM1248100076	Rear supporter		M35B0076	1	\$ 9.21	
24	HM1248100363	Top cover assembly		M35B0363	1	\$ 66.45	
25	HM1248090001	Cover of inductance		M35B0001	1	\$ 16.75	
26	HM2301050026	Reactance		M35B0026	1	\$ 130.67	
26	HM2301000819	Reactance		M35B0819	1	\$ 75.94	
27	HM3337890266	Electronic control box assembly		M35B0266	1	\$ 433.89	
27.1	HM1237300033	Electronic control box		M35B0033	1	\$ 9.21	

This information is to be used by qualify technicians only

KSIL1819- Part list No. P1IL19181301

Above prices, numbers, specifications subject to revision without notice

Drawing No. D1IL19181301

Above prices are subject S & H charges

DATE 13-01

KSIL018-H219-O - SPARE PARTS LIST

No.	Part No.	Part Name	Specifications	Stock No.	Qty	Price	Remarks
27.2	HM2301900112	Radiator		M35B0112	1	\$ 75.94	
27.3	HM1237300162	Cover of electronic control box		M35B0162	1	\$ 9.21	
27.4	HM1337890010	Main control board assembly		M35B0010	1	\$ 399.68	
27.5	HM1137300162	Supporter of electronic control box		M35B0162	1	\$ 9.21	
28	HM3337990161	Terminal board assembly		M35B0161	1	\$ 45.09	
28.1	HM2301450118	Wire joint		M35B0118	1	\$ 9.21	
28.2	HM1135000004	Insulation plate		M35B0004	1	\$ 3.07	
28.3	HM1237890064	Terminal board		M35B0064	1	\$ 6.14	
29	HM1637890878	Liquid valve assembly		M35B0878	1	\$ 75.94	
29.1	HM1600740704	Liquid valve		M35B0704	1	\$ 39.79	
30	HM1637990487	4-way valve assembly		M35B0487	1	\$ 232.86	
30.1	HM1600720296	Gas valve		M35B0296	1	\$ 64.08	
30.2	HM1600690011	4-Ways valve		M35B0011	1	\$ 119.22	
31	HM2301310068	Discharge temperature sensor assembly		M35B0068	1	\$ 11.17	
32	HM1400600530	Compressor		M35B0530	1	\$ 917.61	
33	HM2403100501	Crankcase electric heater		M35B0501	1	\$ 23.87	
37	HM2245500001	Fan motor fixing foam		M35B0001	1	\$ 3.07	
42	HM1135110801	Clamp of front net		M35B0801	8	\$ 3.07	

This information is to be used by qualify technicians only

KSIL1819- Part list No. P1IL19181301

Above prices, numbers, specifications subject to revision without notice

Drawing No. D1IL19181301

Above prices are subject S & H charges

DATE 13-01