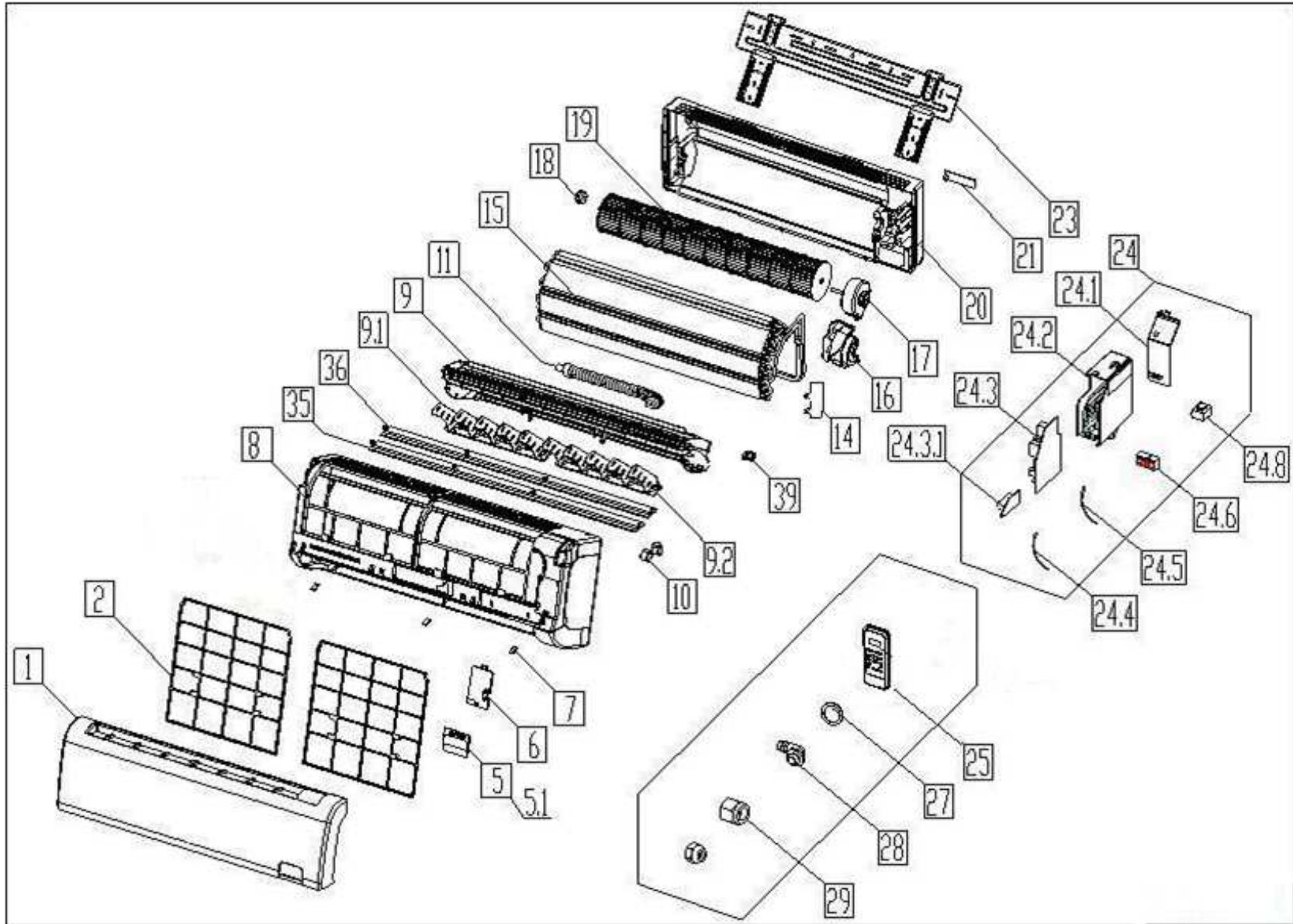


EXPLODED DIAGRAM - PARTS VIEW

Sales Model : KSIL012-H219-I
Power Supply : 208-230V~ / 1ph / 60Hz

M34A



This information is to be used by qualify AC technicians only

KSIL1219- Drawing No. D2IL9121301

Above information subject to revision without notice

DATE 13-01

KSIL012-H219-I - SPARE PARTS LIST

No.	Part No.	Part Name	Specifications	Stock No.	Qty	Price	Remarks
1	WI1132890609	Panel assembly		M34A0609	1	\$ 54.58	
2	WI1132890269	Air filter		M34A0269	2	\$ 6.14	
5	WI3332890292	Display box assembly		M34A0292	1	\$ 66.45	
5.1	WI1332390804	Display board assembly		M34A0804	1	#N/A	
6	WI1132890658	Cover of indoor electronic control box		M34A0658	1	\$ 3.07	
7	WI1132890619	Screw cap		M34A0619	3	\$ 3.07	
8	WI1132890616	Panel frame assembly		M34A0616	1	\$ 66.45	
9	WI1132890273	Air outlet assembly		M34A0273	1	\$ 54.58	
9.1	WI1130290212	Vertical vane		M34A0212	12	\$ 3.07	
9.2	WI1130210066	Louver holder		M34A0066	3	\$ 3.07	
10	WI2400200120	Louver motor		M34A0120	1	\$ 16.75	
11	WI1101020038	Drain hose		M34A0038	1	\$ 6.14	
14	WI1130310350	Waterproof board		M34A0350	1	\$ 3.07	
15	WI1532790059	Evaporator assembly		M34A0059	1	\$ 261.34	
16	WI1132790128	Fan motor cover		M34A0128	1	\$ 6.14	
17	WI2400300419	Asynchronous motor	RPG28-H	M34A0419	1	\$ 105.54	
18	WI2730100201	Bearing base		M34A0201	1	\$ 3.07	
19	WI1100200014	Cross flow fan		M34A0014	1	\$ 71.20	
20	WI1132790555	Chassis assembly		M34A0555	1	\$ 78.18	
21	WI1232800001	Pipe clamp board		M34A0001	1	\$ 3.07	
23	WI1232790008	Installation plate		M34A0008	1	\$ 13.96	
24	WI3332590891	Electronic control box assembly		M34A0891	1	\$ 190.98	
24.1	WI1132800161	Cover of electronic control box		M34A0161	1	\$ 9.21	
24.2	WI1130210069	Electronic control box		M34A0069	1	\$ 29.18	
24.3	WI1332590718	Main control board assembly		M34A0718	1	\$ 120.62	
24.3.1	WI2401200001	Fan motor capacitor		M34A0001	1	\$ 3.07	
24.4	WI2432390005	Indoor temperature sensor assembly		M34A0005	1	\$ 3.07	
24.5	WI2301300080	Pipe temperature sensor assembly		M34A0080	1	\$ 6.14	
24.6	WI2301450119	Wire joint		M34A0119	1	\$ 9.21	
24.8	WI2300900573	Transformer		M34A0573	1	\$ 45.09	

This information is to be used by qualify technicians only

KSIL1219- Part list No. P2IL19121301

Above prices, numbers, specifications subject to revision without notice

Drawing No. D2IL9121301

Above prices are subject S & H charges

DATE 13-01

KSIL012-H219-I - SPARE PARTS LIST

No.	Part No.	Part Name	Specifications	Stock No.	Qty	Price	Remarks
25	WI3355091469	Remote Controller		M34A1469	1	\$ 34.48	
27	WI2720090001	Seal ring		M34A0001	1	\$ 3.07	
28	WI1101020011	Drain connecter		M34A0011	1	\$ 3.07	
29	WI1600330001	Nut		M34A0001	1	\$ 3.07	
29	WI1600330003	Nut		M34A0003	1	\$ 3.07	
35	WI1132890617	Horizontal louver (above)		M34A0617	1	\$ 13.96	
36	WI1132890618	Horizontal louver (below)		M34A0618	1	\$ 11.17	
39	WI1102000305	Fix clamp of temperature sensor		M34A0305	1	\$ 3.07	

This information is to be used by qualify technicians only

KSIL1219- Part list No. P2IL19121301

Above prices, numbers, specifications subject to revision without notice

Drawing No. D2IL9121301

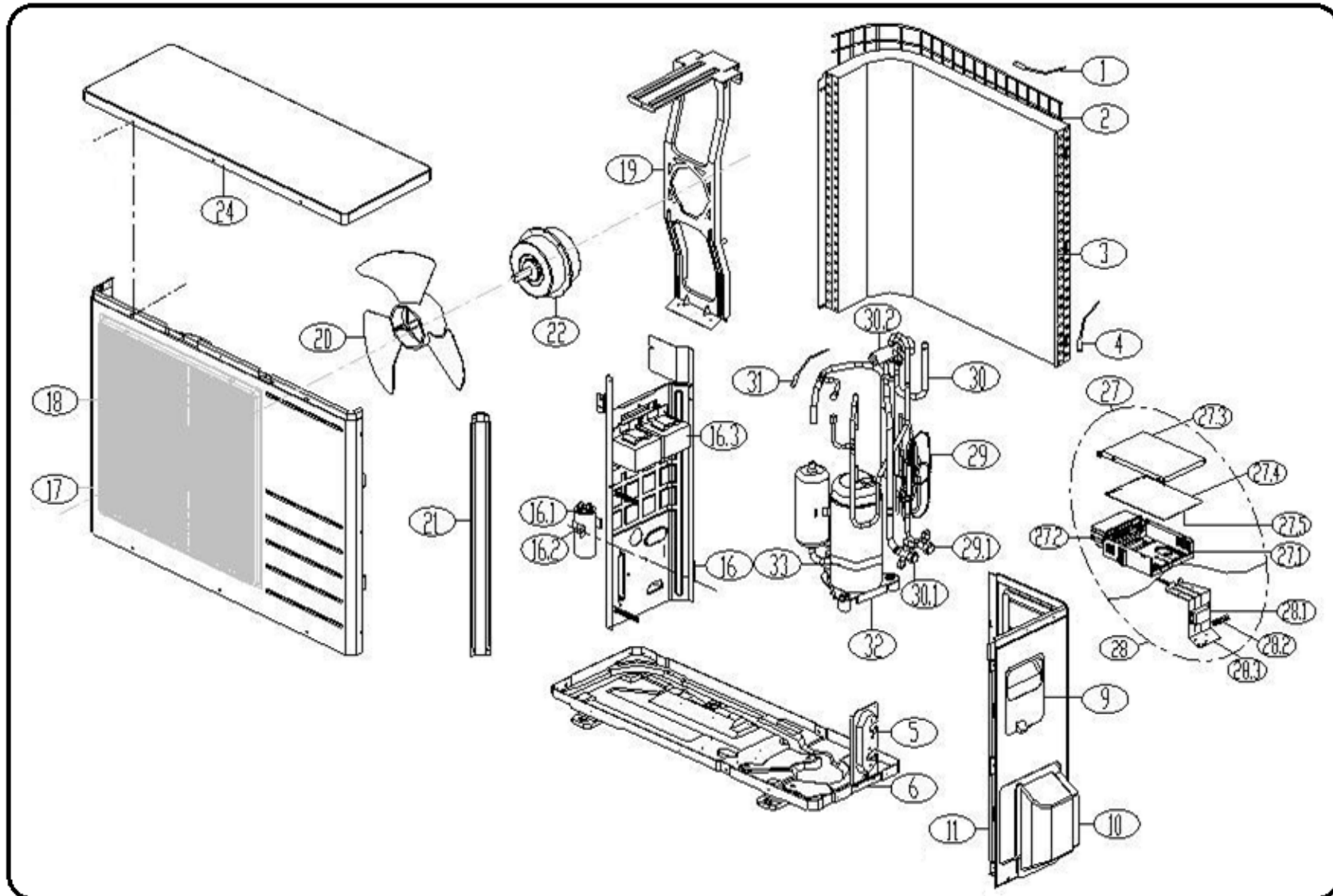
Above prices are subject S & H charges

DATE 13-01

EXPLODED DIAGRAM - PARTS VIEW

Sales Model : KSIL012-H219-O
Power Supply : 208-230V~ / 1ph / 60Hz

M34B



This information is to be used by qualify AC technicians only

Above information subject to revision without notice

KSIL1219- Drawing No. D1IL19121301

DATE 13-01

KSIL012-H219-O - SPARE PARTS LIST

No.	Part No.	Part Name	Specifications	Stock No.	Qty	Price	Remarks
1	HM2301310063	Indoor temperature sensor assembly		M34B0063	1	\$ 6.14	
2	HM11374G0003	Rear net		M34B0003	1	\$ 6.14	
3	HM1537490008	Condenser assembly		M34B0008	1	\$ 384.19	
4	HM2440500004	Pipe temperature sensor assembly		M34B0004	1	\$ 6.14	
5	HM1237200282	Valve plate		M34B0282	1	\$ 6.14	
6	HM1237590093	Chassis assembly		M34B0093	1	\$ 74.27	
9	HM1237390104	Big handle		M34B0104	1	\$ 9.21	
10	HM1137400000	Water collector		M34B0000	1	\$ 13.96	
11	HM1237590080	Rear right clapboard assembly		M34B0080	1	\$ 47.47	
16	HM1237500225	Partition board assembly		M34B0225	1	\$ 179.25	
16.1	HM2401000612	Capacitor of compressor	35 μ F 440 VAC	M34B0612	1	\$ 26.52	
16.2	HM1200100002	Capacitor clip		M34B0002	1	\$ 3.07	
16.3	HM2301000820	Reactance		M34B0820	1	\$ 78.32	
16.3	HM2301000819	Reactance		M34B0819	1	\$ 75.94	
17	HM1237400392	Front panel		M34B0392	1	\$ 78.18	
18	HM1137590017	Air outlet grille		M34B0017	1	\$ 34.48	
19	HM1237390026	Supporter assembly of fan motor		M34B0026	1	\$ 31.83	
20	HM1100390002	Axial flow fan		M34B0002	1	\$ 71.20	
21	HM1237400400	Left supporter		M34B0400	1	\$ 9.21	
22	HM2400370023	Asynchronous motor		M34B0023	1	\$ 201.03	
24	HM1237400405	Top cover assembly		M34B0405	1	\$ 45.09	
27	HM3337390159	Electronic control box assembly		M34B0159	1	\$ 387.54	
27.1	HM1237300033	Electronic control box		M34B0033	1	\$ 9.21	
27.2	HM2301901043	Radiator		M34B1043	1	\$ 45.09	
27.3	HM1237300162	Cover of electronic control box		M34B0162	1	\$ 9.21	
27.4	HM1337390096	Main control board assembly		M34B0096	1	\$ 359.62	
27.5	HM1137300162	Supporter of electronic control box		M34B0162	1	\$ 9.21	

This information is to be used by qualify technicians only

KSIL1219- Part list No. P11L19121301

Above prices, numbers, specifications subject to revision without notice

Drawing No. D11L19121301

Above prices are subject S & H charges

DATE 13-01

KSIL012-H219-O - SPARE PARTS LIST

No.	Part No.	Part Name	Specifications	Stock No.	Qty	Price	Remarks
28	HM3337590049	Terminal board assembly		M34B0049	1	\$ 47.47	
28.1	HM2301400223	Wire joint		M34B0223	1	\$ 13.96	
28.2	HM1135000004	Insulation plate		M34B0004	1	\$ 3.07	
28.3	HM1237590046	Terminal board		M34B0046	1	\$ 9.21	
29	HM1637490232	Liquid valve assembly		M34B0232	1	\$ 68.82	
29.1	HM1600740523	Liquid valve		M34B0523	1	\$ 29.18	
30	HM1637590195	4-way valve assembly		M34B0195	1	\$ 199.35	
30.1	HM1600720195	Gas valve		M34B0195	1	\$ 49.84	
30.2	HM1600690010	4-Ways valve		M34B0010	1	\$ 101.63	
31	HM2301310068	Discharge temperature sensor assembly		M34B0068	1	\$ 11.17	
32	HM1400620600	Compressor		M34B0600	1	\$ 461.25	
33	HM2403100501	Crankcase electric heater		M34B0501	1	\$ 23.87	

This information is to be used by qualify technicians only

KSIL1219- Part list No. P1IL19121301

Above prices, numbers, specifications subject to revision without notice

Drawing No. D1IL19121301

Above prices are subject S & H charges

DATE 13-01