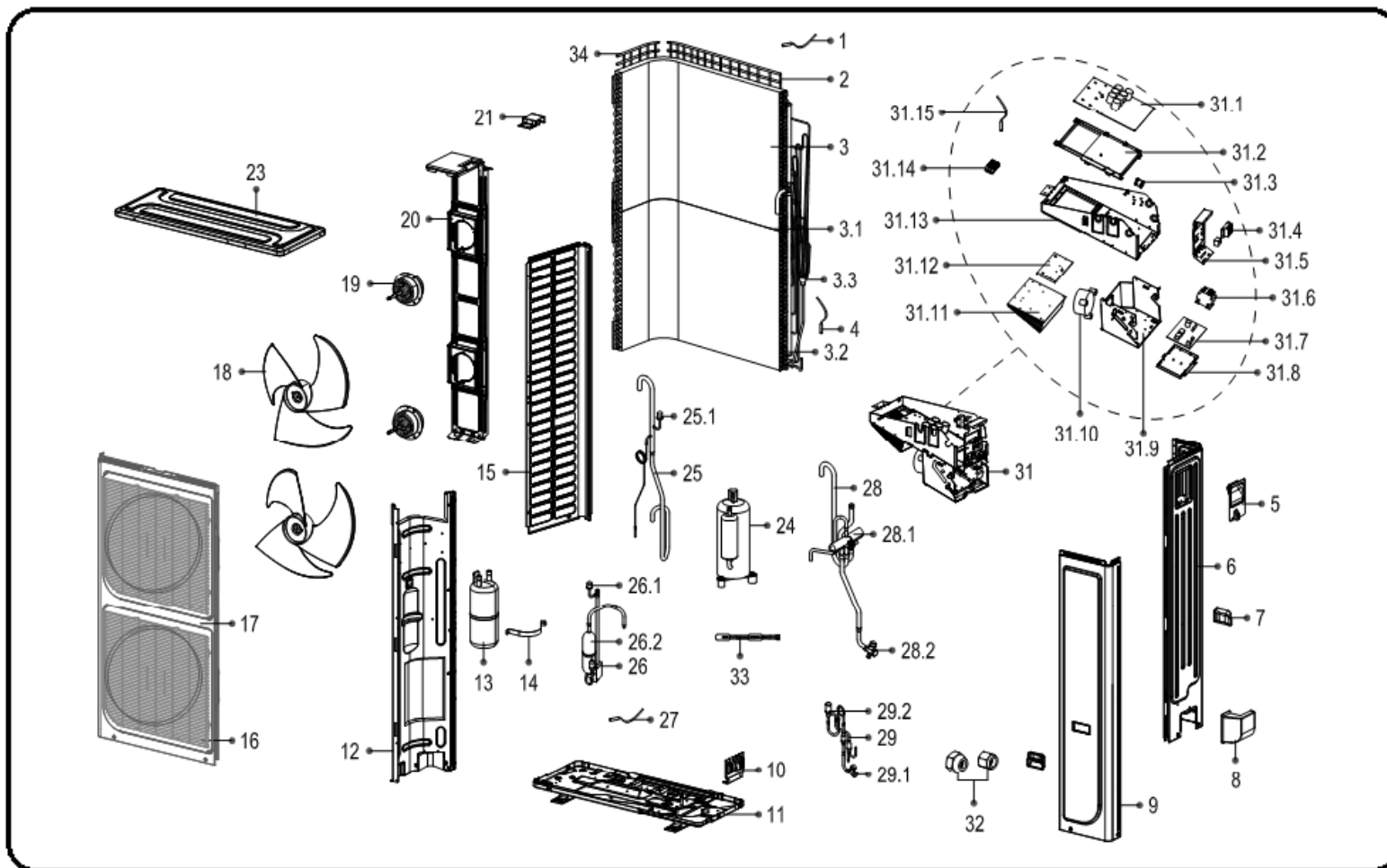


# EXPLODED DIAGRAM - PARTS VIEW

**Sales Model:** KSIL048-H216-OC

**Power Supply:** 208-230V~ / 1ph / 60Hz



This information is to be used by qualified HVAC technicians only and is subject to revision without notice

KSIL048-H216-OC - Drawing No. D51L1402

DATE 14-07

## KSIL048-H215-OC - SPARE PARTS LIST

No.	Part Number	Description	Specifications	Stock No.	Qty.	Price	Remark
1	202301390003	Ambient temperature sensor assembly			1		
2	2012487A0313	Rear net			1		
3	201575790146	Condenser assembly			1		
3.1	201575790144	Condenser assembly			1		
3.1	201575790145	Condenser assembly			1		
3.2	201675790936	Input pipe assembly			1		
3.3	201675591150	Fluted pipe assembly			1		
4	202450200331	Pipe temperature sensor assembly			1		
5	201237390104	Big Handle assembly			1		
6	201248700199	Rear right clapboard assembly			1		
7	201148700009	Handle			2		
8	201148790000	Water collector			1		
9	201248700204	Front clapboard assembly			1		
10	201248790014	Valve plate			1		
11	201248700290	Chassis			1		
12	201248700235	Partition board assembly			1		
13	201601000636	Accumulator cylinder			1		
14	201248700067	Fix clamp of segregator			1		
15	201248700203	Left clapboard			1		
16	201275790250	Air outlet grille			2		
17	201248700201	Front panel			1		
18	201100300045	Axial flow fan			2		
19	202400370026	Fan motor			2		WZDK85-38G

This information is to be used by qualified HVAC technicians only and is subject to revision without notice

KSIL048-H216-OC - Parts List No. P51L1402

Above prices are subject to S&H charges

DATE 14-07

## KSIL048-H215-OC - SPARE PARTS LIST

No.	Part Number	Description	Specifications	Stock No.	Qty.	Price	Remark
20	201248700245	Supporter assembly of fan motor			1		
21	201248300231	Support Board			1		
23	201248300242	Top cover assembly			1		
24	201401500330	Compressor			1		
25	201675790947	Suction pipe assembly			1		
25.1	202301820021	Pressure switch			1		
26	201675790951	Discharge pipe assembly			1		
26.1	202301820038	Pressure switch			1		
26.2	201601100168	Oil separator			1		
27	202301300124	Discharge temperature sensor assembly			1		
28	201675790959	4-way valve assembly			1		
28.1	201600600124	4-way valve			1		
28.2	201600770802	Gas valve			1		
29	201675790952	Liquid valve assembly			1		
29.1	201600740704	Liquid valve			1		
29.2	201601300022	Electronic expansion valve			1		
31	203375790141	Electronic control box assembly			1		
31.1	201375790081	Main control board assembly			1		
31.2	201175890009	Installation plate for main board			1		
31.3	202301000016	Magnetic Loop			2		
31.4	202301450121	Wire joint			1		
31.4	202301400544	Wire joint			1		
31.5	201248700233	Terminal Installing Plate			1		

This information is to be used by qualified HVAC technicians only and is subject to revision without notice

KSIL048-H216-OC - Parts List No. P51L1402

Above prices are subject to S&H charges

DATE 14-07

## KSIL048-H215-OC - SPARE PARTS LIST

No.	Part Number	Description	Specifications	Stock No.	Qty.	Price	Remark
31.6	202300850043	AC contactor			1		
31.7	201375890171	Outdoor power board assembly			1		
31.8	201175890008	Installing Plate			1		
31.9	201275890158	Connecting board of electronic control box			1		
31.1	202301000982	PFC Inductor			1		
31.11	202301900140	Radiator			1		
31.12	202301900139	Radiator			1		
31.13	201248700234	Electric Component Mounted Board Sbassy			1		
31.14	202300500326	Three phase bridge			1		
31.15	202301310068	Discharge temp sensor assembly			1		
32	201600320001	Copper nut			1		
32	201600320003	Copper nut			1		
33	202403101726	Crankcase electric heater			1		

This information is to be used by qualified HVAC technicians only and is subject to revision without notice

KSIL048-H216-OC - Parts List No. P5IL1402

Above prices are subject to S&H charges

DATE 14-07