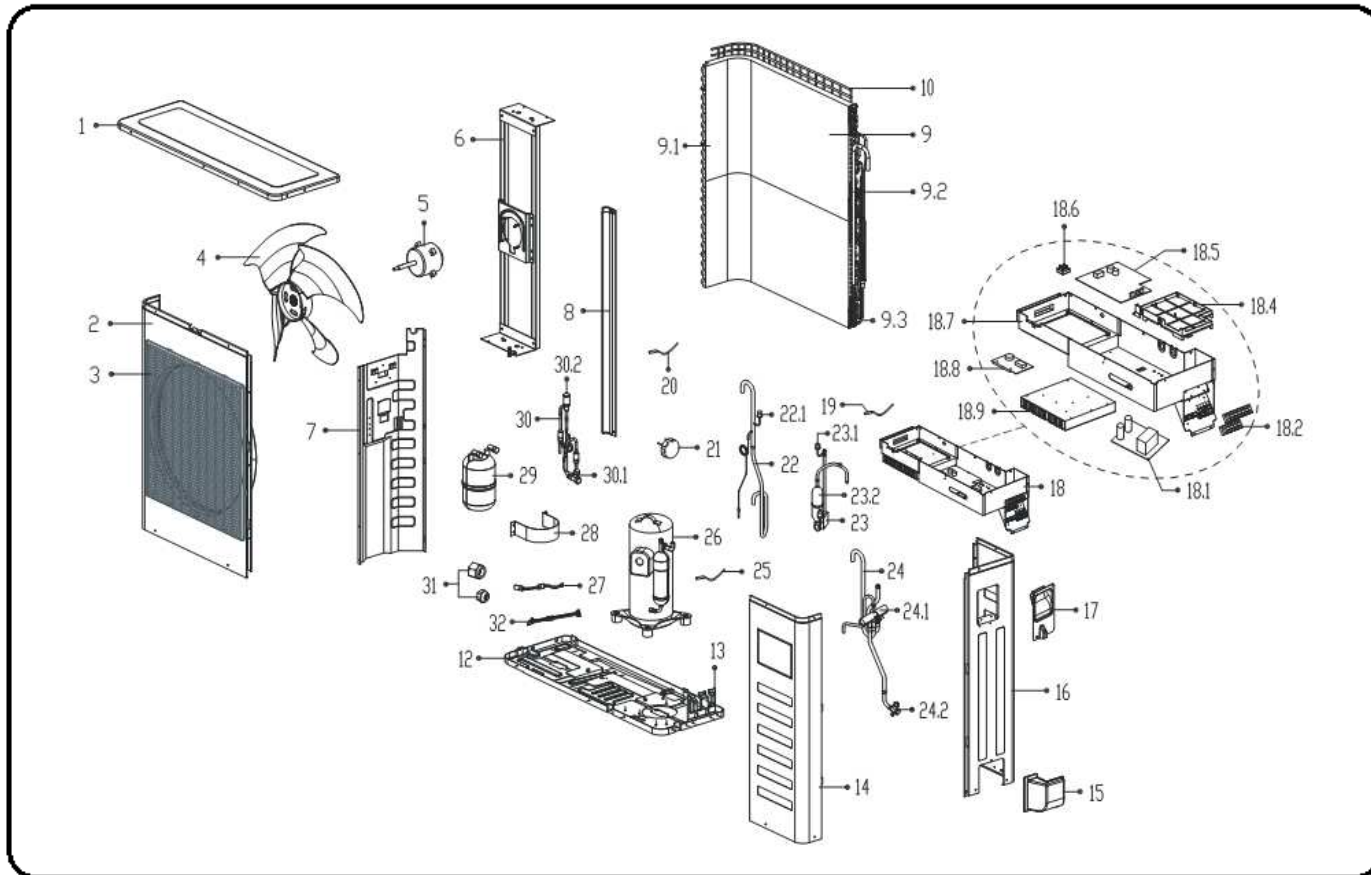


EXPLODED DIAGRAM - PARTS VIEW

Sales Model: KSIL036-H215-OC

Power Supply: 208-230V~ 60Hz 1Phase



This information is to be used by qualified HVAC technicians only and is subject to revision without notice

KSIL036-H215-OC - Drawing No. D5IL1401

DATE 14-07

KSIL036-H215-OC - SPARE PARTS LIST

No.	Part Number	Description	Specifications	Stock No.	Qty	Price	Remark
1	201275590191	Top cover assembly			1		
2	201248700257	Front panel			1		
3	201248700055	Air outlet grille			1		
4	201100320624	Axial flow fan			1		
5	202400300051	Asynchronous motor			1		WZDK180-38G
6	201275590219	Supporter assembly of fan motor			1		
7	201257190130	Partition board assembly			1		
8	201248700261	Left supporter			1		
9	201538190031	Condenser assembly			1		
9.1	201538190052	Condenser assembly			1		
9.2	201638190314	Input pipe assembly			1		
9.3	201657390055	Fluted pipe assembly			1		
10	201248700280	Rear net			1		
12	201275590093	Chassis assembly			1		
13	201248790014	Valve plate			1		
14	201248700056	Front right clapboard assembly			1		
15	201148790000	Water collector			1		
16	201248700256	Rear right clapboard assembly			1		
17	201237390104	Big handle			1		
18	203375590339	Electronic control box assembly			1		
18.1	201319901145	Outdoor Power Supply Plate Subassy.			1		
18.2	202301400306	Wire joint			1		

This information is to be used by qualified HVAC technicians only and is subject to revision without notice

KSIL036-H215-OC - Drawing No. P5IL1401

Above prices are subject to S&H charges

DATE 14-07

KSIL036-H215-OC - SPARE PARTS LIST

No.	Part Number	Description	Specifications	Stock No.	Qty	Price	Remark
18.2	202301450121	Wire joint			1		
18.4	201157390005	Installing Plate			1		
18.5	201375590209	Main control board assembly			1		
18.6	202300500328	Rectifier bridge			1		
18.7	201275590179	E-part box Subassembly			1		
18.8	201357190031	Inverter control board assembly			1		
18.9	202301901085	Radiator			1		
19	202301300111	Pipe temperature sensor assembly			1		
20	202301310075	Ambient temperature sensor assembly			1		
21	202301000523	Electrical inductance			1		
22	201675490388	Suction pipe assembly			1		
22.1	202301820021	Pressure switch			1		
23	201675591168	Discharge pipe assembly			1		
23.1	202301820020	Pressure switch			1		
23.2	201601100168	Oil separator			1		
24	201675590827	4-way valve assembly			1		
24.1	201600600124	4-Ways valve			1		
24.2	201600770802	Gas valve			1		
25	202448200000	Discharge temperature sensor			1		
26	201401500220	Compressor			1		TNB306FPGMC-L
27	202403101715	Crankcase electric heater			1		
28	201245000901	Fix clamp of segregator			1		

This information is to be used by qualified HVAC technicians only and is subject to revision without notice

KSIL036-H215-OC - Drawing No. P5IL1401

Above prices are subject to S&H charges

DATE 14-07

KSIL036-H215-OC - SPARE PARTS LIST

No.	Part Number	Description	Specifications	Stock No.	Qty	Price	Remark
29	201601000074	Accumulator cylinder			1		
30	201675490283	liquid valve assembly			1		
30.1	201600740704	Liquid valve			1		
30.2	201601300033	Electronic expansion valve			1		
31	201600320003	Copper nut			1		
31	201600320001	Copper nut			1		
32	202402220152	Compressor wire assembly			1		

This information is to be used by qualified HVAC technicians only and is subject to revision without notice

KSIL036-H215-OC - Drawing No. P5IL1401

Above prices are subject to S&H charges

DATE 14-07