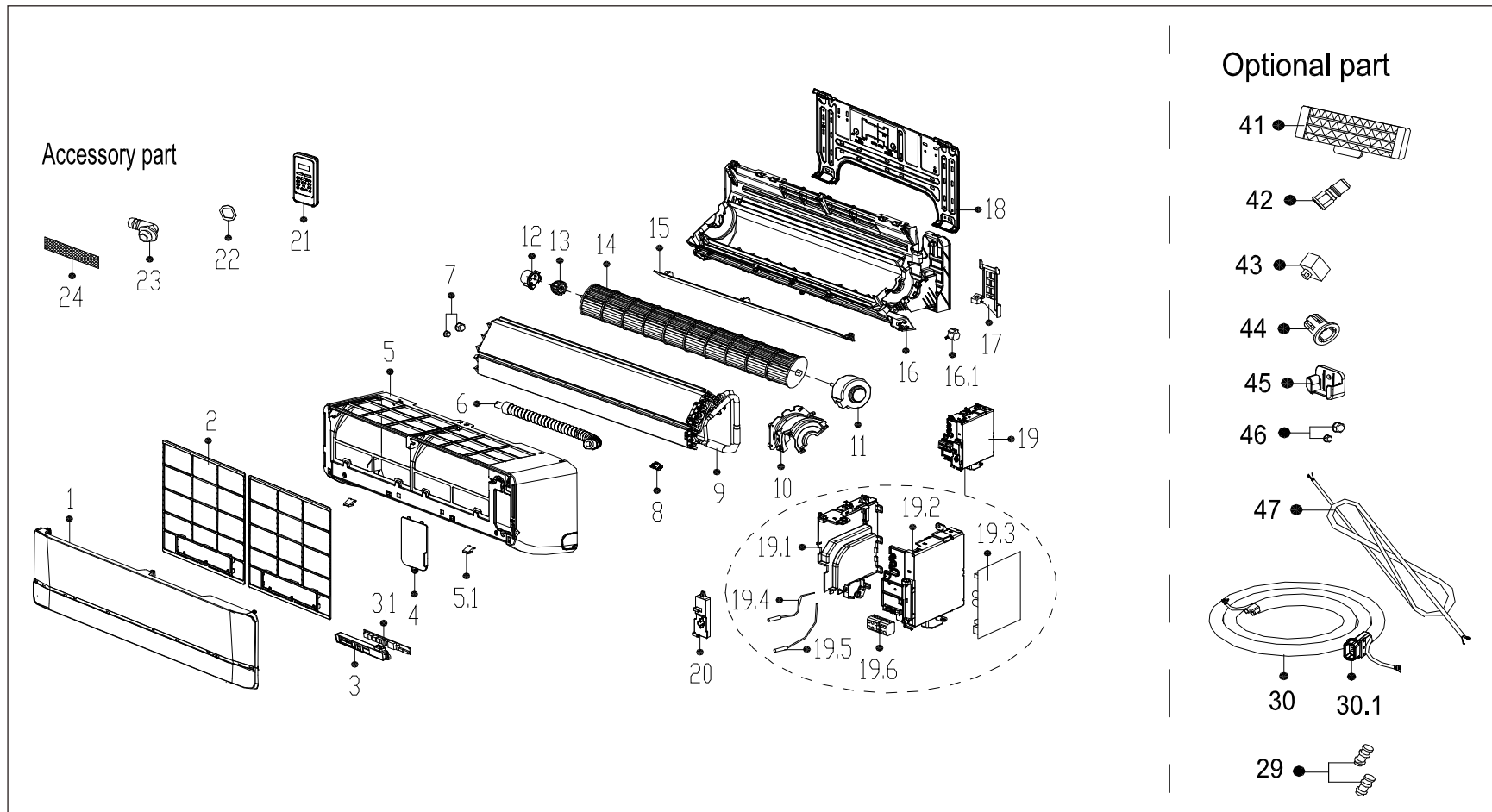


EXPLODED DIAGRAM - PARTS VIEW

Sales Model: KSIH009-H225-IW
Power Supply: 208-230V / 1ph / 60Hz



This information is to be used by qualified HVAC technicians only and is subject to revision without notice

KSIH009-H225-IW - Drawing No. D2IH1712

DATE 18-04

KSIH009-H225-IW - SPARE PARTS LIST

No.	Part Number	Part Name	Specifications	Stock No.	Qty.	Price	Remarks
1	12122000A00947	Panel assembly			1	\$27.55	
2	12100204000466	Air filter			2	\$8.58	
3	17222000A00767	Display box subassembly			1	\$26.89	
3	17222000A30109	Display box subassembly			1	\$65.11	
3.1	17122000006991	Display board subassembly			1	\$24.10	
3.1	17122000A18207	Display board subassembly			1	\$54.49	
4	12122000006694	Cover of electrical equipment			1	\$3.19	
5	12122000A50699	Panel frame assembly			1	\$64.77	
5.1	12122000006272	Screw cap			2	\$0.15	
6	12100501000032	Drain Hose			1	\$5.61	
7	15500404000002	Pipe Nut			1	\$1.43	
7	15500406000010	Copper nut			1	\$6.16	
7	15500406000016	Copper nut			1	\$3.74	
8	12100303000008	Fixed clamp of temperature sensor			1	\$0.35	
9	15822000003700	Evaporator assembly			1	\$227.03	
10	12122000019981	Fan motor cover			1	\$5.83	
11	11002015000051	Brushless DC Motor	ZKFP-20-8-6-7		1	\$136.85	
12	12122000000350	Bearing holder			1	\$0.79	
13	12622000000006	Bearing base			1	\$1.54	
14	12100102000074	Cross flow fan	GL-98*655-N		1	\$46.17	
15	12122000A54652	Horizontal louver assembly			1	\$12.40	
16	12122000A61795	Chassis assembly			1	\$126.49	
16.1	11002010000143	Stepping motor	SM-24-19-16-8		1	\$13.70	
17	12122000000455	Pipe clamp board			1	\$2.31	

This information is to be used by qualified HVAC technicians only and is subject to revision without notice

KSIH009-H225-IW - Parts List No. P2IH1712

Above prices are subject to S&H charges

DATE 18-04

KSIH009-H225-IW - SPARE PARTS LIST

No.	Part Number	Part Name	Specifications	Stock No.	Qty.	Price	Remarks
18	12222000000031	Installation plate			1	\$24.40	
19	17222000026372	Electronic control box subassembly			1	\$126.36	
19.3	17122000014254	Main control board subassembly			1	\$99.26	
19.4	11201007000088	Room Temperature Sensor			1	\$3.85	
19.5	11201007000322	Pipe Temperature Sensor			1	\$5.28	
19.6	17400401000006	Terminal			1	\$10.70	
20	12122000005020	Cover of electronic control box			1	\$0.89	
21	17317000A06740	Remote controller	RG57A6/BGEFU1		1	\$43.18	
22	12600701000039	Seal ring			1	\$0.15	
23	12100509000061	Drain hose			1	\$0.45	
24	12100206000056	Air freshening filter			1	\$1.98	
42	15500209000001	Detection valve			1	\$2.42	
45	12117000002114	Bracket of remote Controller			1	\$3.30	

This information is to be used by qualified HVAC technicians only and is subject to revision without notice

KSIH009-H225-IW - Parts List No. P2IH1712

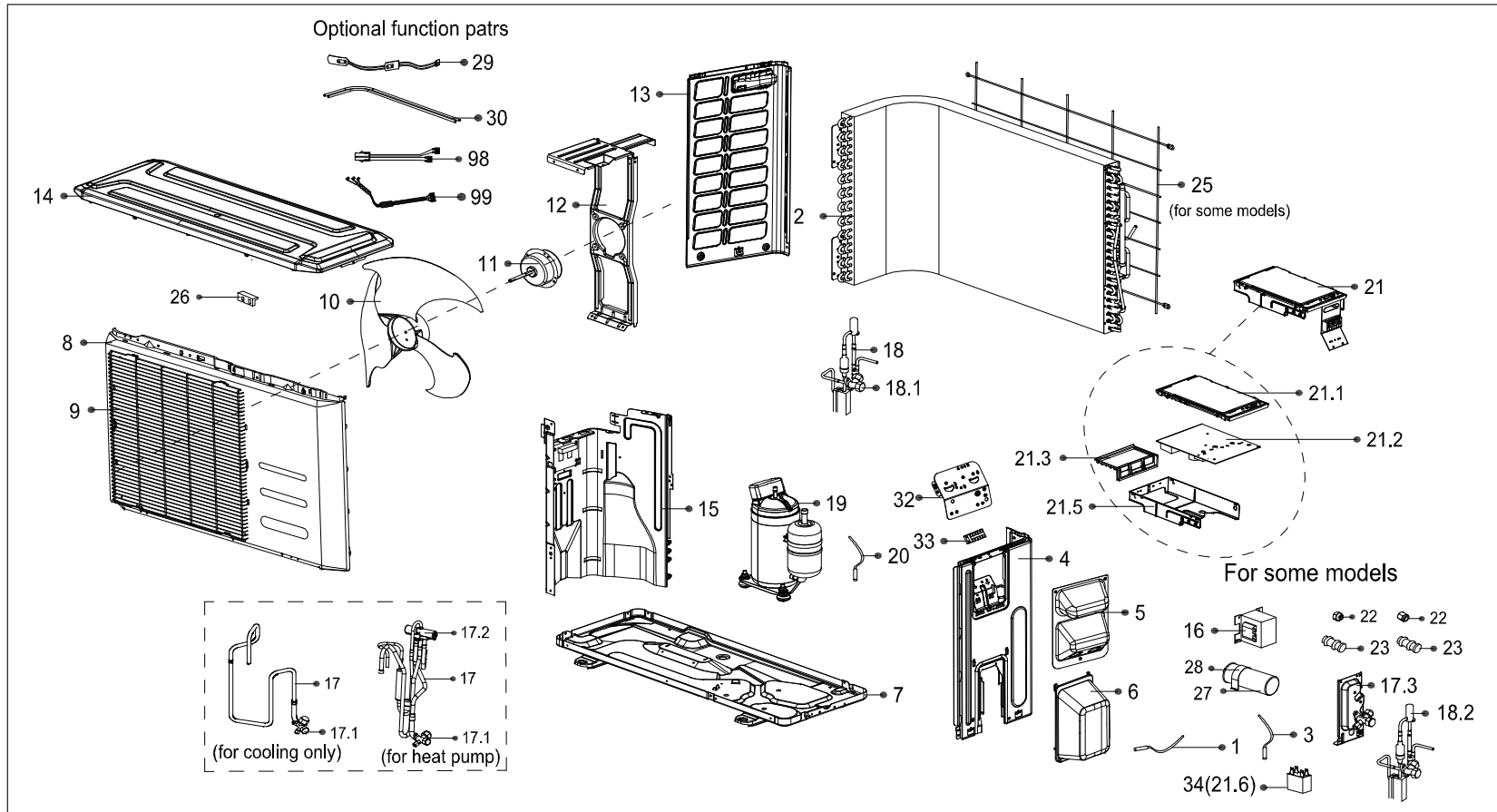
Above prices are subject to S&H charges

DATE 18-04

EXPLODED DIAGRAM - PARTS VIEW

Sales Model: KSIH009-H225-O

Power Supply: 208-230V / 1ph / 60Hz



This information is to be used by qualified HVAC technicians only and is subject to revision without notice

KSIH009-H225-O - Drawing No. D1IH1712

DATE 18-04

KSIH009-H225-O - SPARE PARTS LIST

No.	Part Number	Part Name	Specifications	Stock No.	Qty.	Price	Remarks
1	11201007002020	Room Temperature Sensor			1	\$6.05	
2	15822000A14949	Condenser assembly			1	\$334.04	
3	11201007000069	Pipe Temperature Sensor			1	\$5.72	
4	12222000005745	Right clapboard assembly			1	\$38.95	
5	12222000005102	Big handle assembly			1	\$9.46	
6	12122000007150	Water collector			1	\$9.46	
7	12222000004326	Chassis assembly			1	\$72.59	
8	12222000004463	Front panel assembly			1	\$94.36	
9	12222000007424	Air outlet grille			1	\$47.09	
10	12100105000051	Axial flow fan			1	\$31.83	
11	11002015006761	Brushless DC Motor	ZKFN-40-8-1L-5		1	\$123.48	
12	12222200002154	Supporter subassembly of fan motor			1	\$18.30	
13	12222000008484	Left side plate assembly of cabinet			1	\$32.02	
14	12222000002451	Top cover assembly			1	\$50.49	
15	12222200001146	Partition board assembly			1	\$26.60	
16	17400306000053	Reactor			1	\$62.73	
17	15422000004033	4-way valve assembly			1	\$161.70	
17.1	15500204000021	Gas valve			1	\$31.64	
17.2	15500216000028	4-way Valve			1	\$73.92	
17.3	12222000002571	Valve plate			1	\$6.49	
17.4	15122000005387	Muffler subassembly			1	\$30.97	
18	15422000004032	Liquid valve Assembly			1	\$164.76	
18.1	15500208000028	Liquid valve			1	\$20.70	
18.2	15500213000178	Electronic expansion valve			1	\$134.76	

This information is to be used by qualified HVAC technicians only and is subject to revision without notice

KSIH009-H225-O - Parts List No. P1IH1712

Above prices are subject to S&H charges

DATE 18-04

KSIH009-H225-O - SPARE PARTS LIST

No.	Part Number	Part Name	Specifications	Stock No.	Qty.	Price	Remarks
19	11103020000215	DC Inverter Rotary Compressor	ATM115D43UFZ2		1	\$422.14	
20	11201007000005	Discharge Temperature Sensor			1	\$12.20	
21	17222000008508	Electronic control box subassembly			1	\$377.64	
21.2	17122000017248	Outdoor main control board subassembly			1	\$349.56	
21.3	12122000014683	Support of electronic control box			1	\$6.27	
21.5	12222000001325	Electronic installing box subassembly			1	\$22.50	
22	15500406000010	Copper nut			1	\$6.16	
22	15500406000016	Copper nut			1	\$3.74	
25	12222000003622	Rear net			1	\$24.60	
29	17402001000008	Crankcase electric heater			1	\$25.65	
30	17402002000042	Electric heating tube			1	\$85.54	
32	12222000002259	Terminal board			1	\$0.99	
33	17400401000075	Terminal			1	\$11.10	
41	12100509000059	Drain pipe			1	\$3.96	
99	17401203000802	Compressor wire subassembly			1	\$15.50	