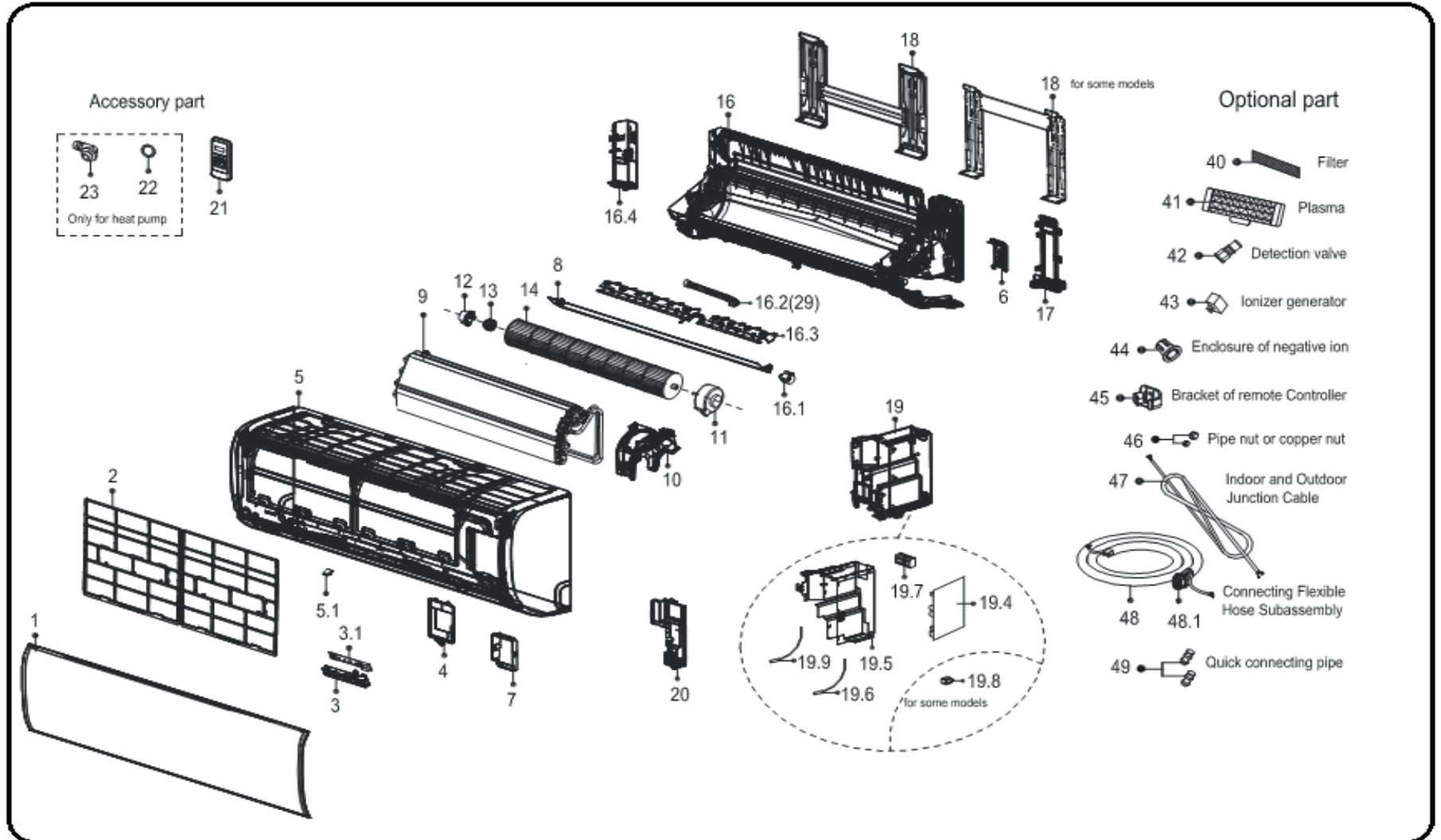


# EXPLODED DIAGRAM - PARTS VIEW

**Sale Model:** KSIF018-H215-I  
**Power Supply:** 208~230V~ 60Hz 1ph



This information is to be used by qualified HVAC technicians only and is subject to revision without notice

KSIF018-H215-I - Drawing No. D2IF1603

DATE 16-07

## KSIF018-H215-I - SPARE PARTS LIST

No.	Part Number	Part Name	Specifications	Stock No.	Qty.	Price	Remarks
1	12122000A35764	Panel assembly			1	\$21.40	
2	12100204001559	Air filter			2	\$20.24	
3	17222000A31248	Display box assembly			1	\$64.43	
3.1	17122000022008	Display board assembly			1	\$63.07	
4	12122000013131	Cover of electrical equipment			1	\$2.75	
5	12122000013179	Panel frame assembly			1	\$42.75	
5.1	12122000013139	Screw cap			2	\$2.00	
6	12122000013175	Right cover of chassis			1	\$1.10	
7	12122000013141	Terminal cover assembly			1	\$2.64	
8	12122000013187	Horizontal louver assembly			1	\$5.94	
9	15822000004976	Evaporator assembly			1	\$206.64	
10	12122000013176	Fan motor cover			1	\$5.39	
11	11002012019562	Fan motor			1	\$79.73	YKFG-28-4-6-5
12	12122000000350	Bearing holder			1	\$1.00	
13	12622000000006	Bearing base			1	\$1.54	
14	12100102000131	Cross flow fan			1	\$44.97	GL-98*758-I
16	12122000014662	Chassis assembly			1	\$98.70	
16.1	11002010000143	Louver motor			1	\$11.80	SM-24-19-16-8
16.3	12122000013183	Vertical vane			1	\$3.08	
16.4	12122000013186	Left cover of chassis			1	\$2.20	
17	12122000013178	Pipe clamp board			1	\$2.20	
18	12222000005866	Installation plate			1	\$18.10	

This information is to be used by qualified HVAC technicians only and is subject to revision without notice

KSIF018-H215-I - Parts List No. D2IF1603

Above prices are subject to S&H charges

DATE 16-07

## KSIF018-H215-I - SPARE PARTS LIST

No.	Part Number	Part Name	Specifications	Stock No.	Qty.	Price	Remark
19	17222000A32231	Electronic control box assembly			1	\$127.20	
19.4	17122000024692	Indoor main control board assembly			1	\$122.78	
19.5	12122000013001	Electronic installing box			1	\$25.27	
19.6	11201007000322	Pipe temperature sensor assembly			1	\$4.73	
19.7	17400401000006	Wire joint			1	\$10.20	
19.9	11201007000088	Ambient temperature sensor assembly			1	\$3.52	
20	12122000013132	Cover of electronic control box			1	\$6.82	
21	17317000A17821	Remote Controller			1	\$45.79	RG57A6/BGEFU1
22	12600701000039	Seal ring			1	\$1.00	
23	12100509000061	Drain joint			1	\$1.00	
29	12100501000032	Drain hose			1	\$5.17	
40	12100206000056	Air freshening filter			1	\$2.98	
40	12100207000131	Air freshening filter			1	\$2.87	
46	15500406000012	Pipe nut or copper nut			1	\$5.72	TLM-C03
46	15500406000016	Pipe nut or copper nut			1	\$2.64	

This information is to be used by qualified HVAC technicians only and is subject to revision without notice

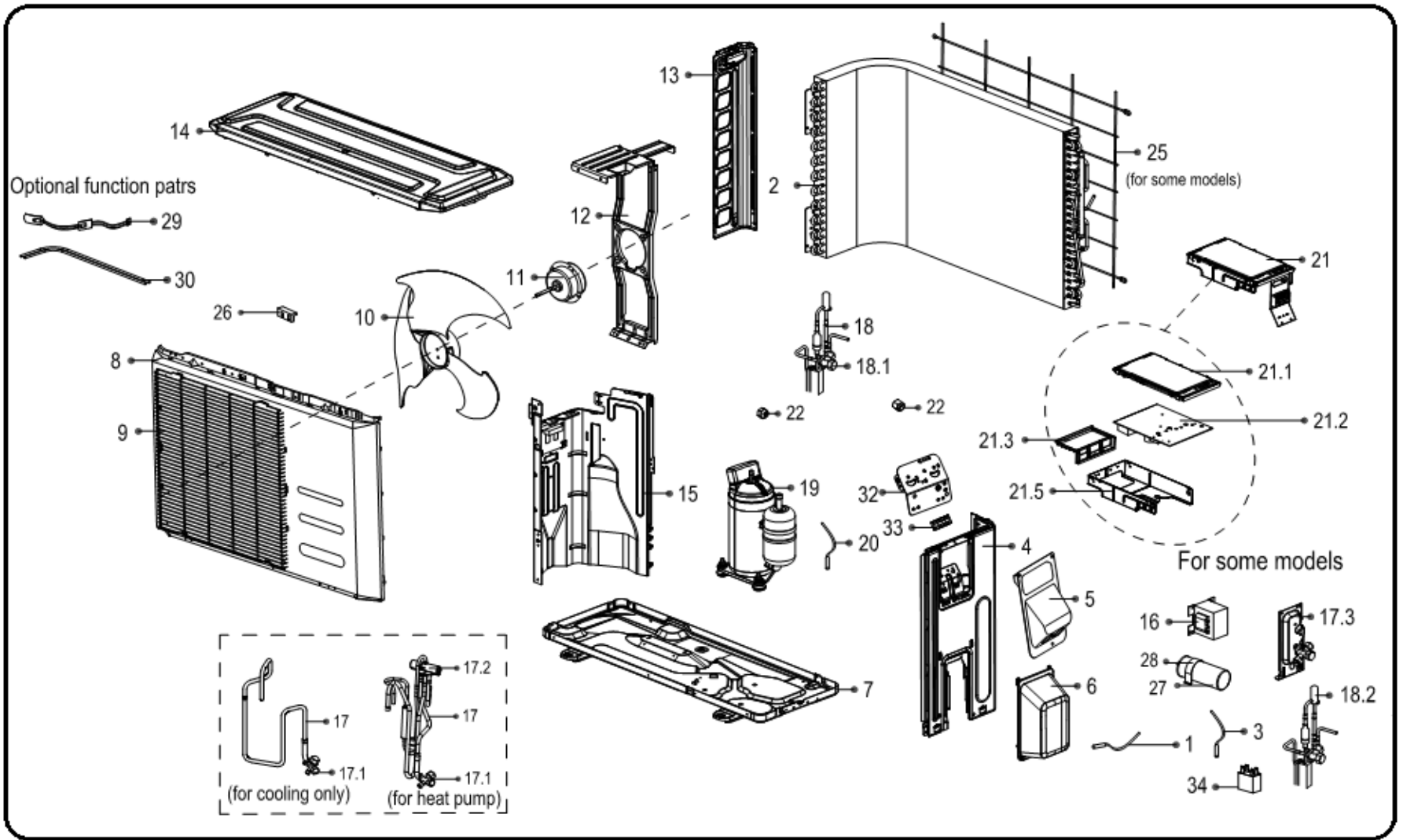
KSIF018-H215-I - Parts List No. D2IF1603

Above prices are subject to S&H charges

DATE 16-07

# EXPLODED DIAGRAM - PARTS VIEW

**Sale Model:** KSIF018-H215-O  
**Power Supply:** 208-230V~ 60Hz 1ph



This information is to be used by qualified HVAC technicians only and is subject to revision without notice

KSIF018-H215-O - Drawing No. D11F1603

DATE 16-07

## KSIF018-H215-O - SPARE PARTS LIST

No.	Part Number	Part Name	Specifications	Stock No.	Qty.	Price	Remarks
1	11201007000039	Ambient temperature sensor assembly			1	\$4.51	
2	15822000003520	Condenser assembly			1	\$226.53	
3	11201007000069	Pipe temperature sensor assembly			1	\$5.39	
4	12222000005745	Right clapboard assembly			1	\$30.12	
5	12222000005102	Big handle			1	\$3.96	
6	12122000007150	Water collector			1	\$9.13	
7	12222000004326	Chassis assembly			1	\$59.67	
8	12222000004463	Front panel			1	\$71.40	
9	12222000007424	Air outlet grille			1	\$56.10	
10	12100105000051	Axial flow fan			1	\$28.88	ZL-427*139*8-3KN
11	11002012008761	Fan Motor			1	\$94.92	YKT-48-6-206
12	12222200002154	Supporter assembly of fan motor			1	\$15.50	
13	12222000006504	Left supporter			1	\$11.40	
14	12222200001291	Top cover assembly			1	\$45.31	
15	12222200001146	Partition board assembly			1	\$23.00	
16	17400306000053	Reactor			1	\$57.63	R20035(AL)
17	15422000004716	4-Ways valve assembly			1	\$154.86	
17.1	15500204000058	Gas valve			1	\$27.46	DYF-B29N
17.2	15500216000026	4-Ways valve			1	\$72.24	STF-02BN1(VHR)
17.3	12222000002571	Valve plate			1	\$5.17	
18	15422000004813	Liquid valve assembly			1	\$41.04	
18.1	15500208000028	Liquid valve			1	\$15.60	GYF-A28N

This information is to be used by qualified HVAC technicians only and is subject to revision without notice

KSIF018-H215-O - Parts List No. P1IF1603

Above prices are subject to S&H charges

DATE 16-07

## KSIF018-H215-O - SPARE PARTS LIST

No.	Part Number	Part Name	Specifications	Stock No.	Qty.	Price	Remark
19	11103020000006	Compressor			1	\$305.76	ASM135D23UFZ
20	11201007000005	Discharge temperature sensor assembly			1	\$11.50	
21	17222000A23549	Electronic control box assembly			1	\$329.52	
21.1	12122000006856	Cover of electronic control box			1	\$24.60	
21.2	17122000A15872	Outdoor power board assembly			1	\$281.76	
21.3	12122000014683	Support of electronic control box			1	\$8.36	
21.5	12222000001325	Electronic installing box			1	\$18.40	
21.6	17400101000019	Capacitor			1	\$7.81	
22	15500406000012	Copper nut			1	\$5.72	
22	15500406000016	Copper nut			1	\$2.64	TLM-A01
25	12222000003622	Rear net			1	\$22.70	B01.BJ-15
29	17402001000008	Crankcase electric heater			1	\$25.84	DJRD-358A-1000-20W-1
32	12222000002259	Terminal board			1	\$1.00	
33	17400401000075	Wire joint			1	\$13.90	JXZ-PT5H-A
41	12100509000059	Drain pipe			1	\$3.85	

This information is to be used by qualified HVAC technicians only and is subject to revision without notice

KSIF018-H215-O - Parts List No. P1IF1603

Above prices are subject to S&H charges

DATE 16-07