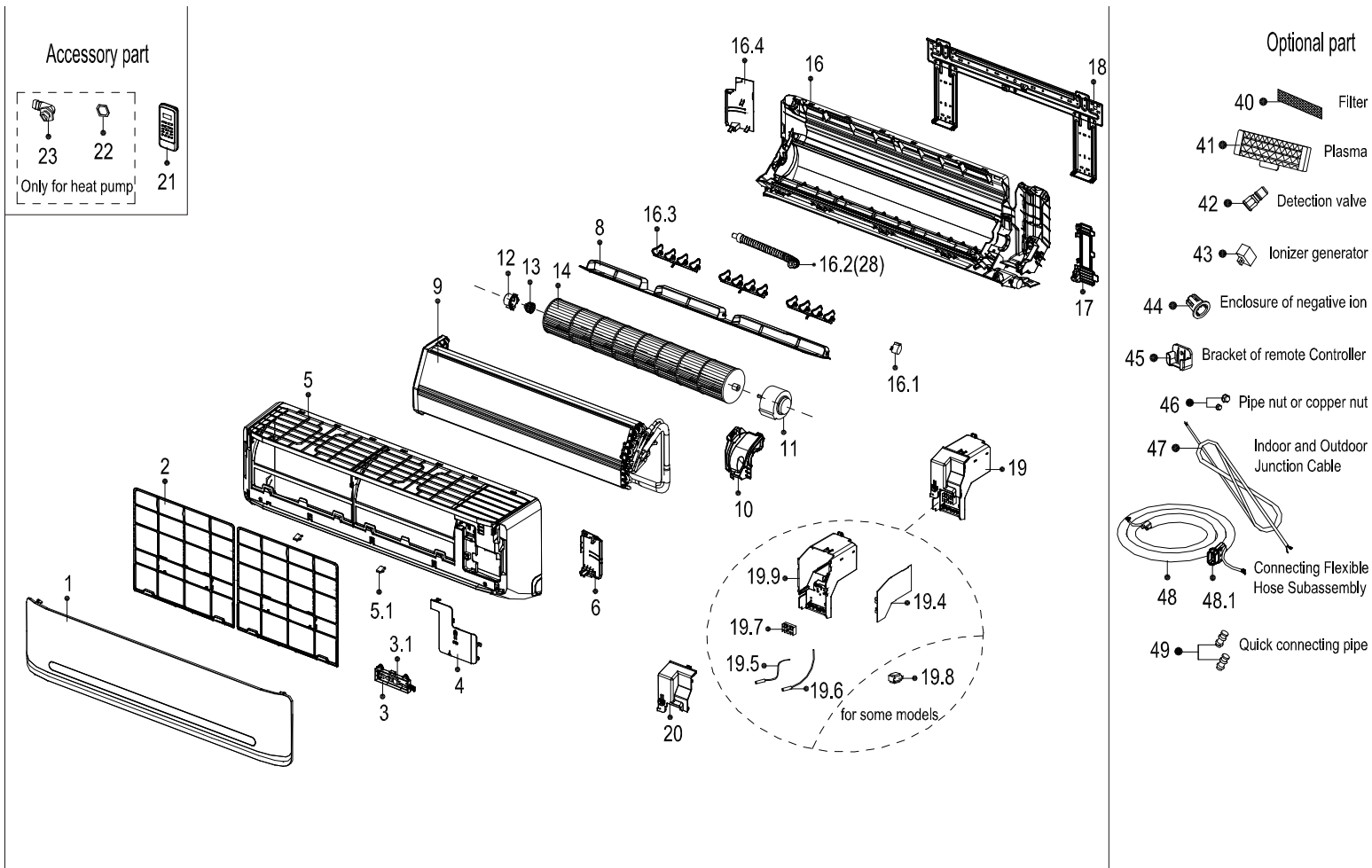


EXPLODED DIAGRAM - PARTS VIEW

Sales Model: KSIE024-H220-I
Power Supply: 208-230V / 1ph / 60Hz



This information is to be used by qualified HVAC technicians only and is subject to revision without notice

KSIE024-H220-I - Drawing No. D2IE1608

DATE 16-04

KSIE024-H120-I - SPARE PARTS LIST

No.	Part Number	Part Name	Specifications	Stock No.	Qty.	Price	Remarks
1	12122000A09055	Panel assembly			1	\$42.07	
2	12100204000461	Filter			2	\$15.48	
3	17222000A08993	Indicator board assembly of Split Unit			1	\$21.72	
3.1	17122000A09452	Display Panel Subassembly(Sticker)			1	\$12.72	
4	12122000006733	E-Parts Cover Plate			1	\$7.13	
5	12122000001956	frame assembly			1	\$72.41	
5.1	12122000008242	Screw Cap			2	\$0.13	
6	12122000004608	Right Cover Plate of Chassis			1	\$3.30	
8	12122000006335	Wind Guide			1	\$24.05	
9	15822000003638	Evaporator assembly Gas valve assembly			1	\$184.03	
10	12122000005512	Motor Bearing Cover			1	\$6.86	
11	11002015000094	Brushless DC Motor			1	\$218.16	ZKFP-58-8-1
12	12122000000350	beating base jacket			1	\$0.53	
13	12622000000006	Beating base			1	\$1.58	
14	12100102000018	Cross-flow window rotor			1	\$56.30	
16	12122000011879	Chassis assembly			1	\$172.94	
16.1	11002010000049	stepper motor			1	\$19.68	
16.3	12122000000135	Louver			3	\$1.45	
16.4	12122000004614	Left Cover Plate of Chassis			1	\$3.70	
17	12122000012942	Pipe clamp board			1	\$2.51	
18	12222000000026	Installation Plate Subassembly			1	\$18.48	
19	17222000009476	E-Parts Box assembly of Split Indoor Unit			1	\$128.81	
19.4	17122000018862	Indoor main control board assembly			1	\$116.00	
19.5	11201007000085	Room Temperature Sensor			1	\$5.02	

This information is to be used by qualified HVAC technicians only and is subject to revision without notice

KSIE024-H220-I - Drawing No. P2IE1608

Above prices are subject to S&H charges

DATE 16-04

KSIE024-H120-I - SPARE PARTS LIST

No.	Part Number	Part Name	Specifications	Stock No.	Qty.	Price	Remarks
19.6	11201007000126	Temperature Sensor			1	\$4.36	
19.7	17400401000006	Wire holder			1	\$10.20	
19.9	12122000007845	Electrical Control Box			1	\$19.08	
20	12122000005024	Electrical Control Box Cover			1	\$4.49	
21	17317000A06740	Remote Controller			1	\$46.61	RG51F/EU1
22	12600701000039	Seal ring			1	\$0.13	
23	12100509000061	Drain hose			1	\$0.40	
28	12100501000032	Drain Hose			1	\$5.15	
40	12100204000685	Formaldehyde-kille			1	\$1.06	
46	15500406000003	Copper nut			1	\$7.92	
46	15500406000010	Copper nut			1	\$4.36	

This information is to be used by qualified HVAC technicians only and is subject to revision without notice

KSIE024-H220-I - Drawing No. P2IE1608

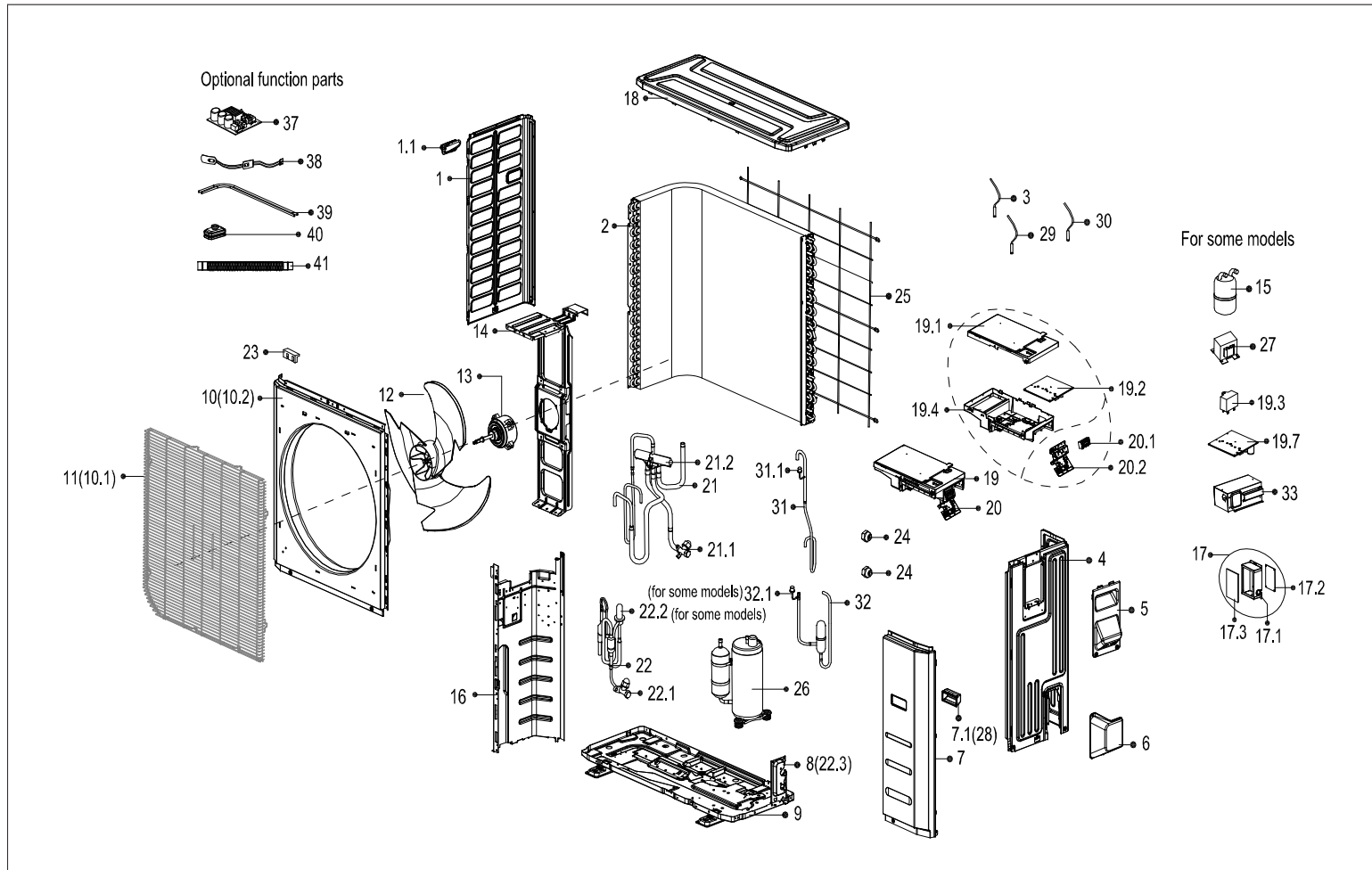
Above prices are subject to S&H charges

DATE 16-04

EXPLODED DIAGRAM - PARTS VIEW

Sale Model: KSIE024-H220-O

Power Supply: 208-230V / 1ph / 60Hz



This information is to be used by qualified HVAC technicians only and is subject to revision without notice

KSIE024-H220-O - Drawing No. D1IE1608

DATE 16-04

KSIE024-H220-O - SPARE PARTS LIST

No.	Part Number	Part Name	Specifications	Stock No.	Qty.	Price	Remarks
1	12222000006665	Left side plate assembly of cabinet			1	\$45.14	
1.1	12100701000033	Small Handle			1	\$1.45	
2	15822000003716	Condenser assembly			1	\$357.41	
3	11201007000006	Temperature Sensor			1	\$6.60	
4	12222000006664	Rear right clapboard assembly			1	\$69.16	
5	12222000004019	Big Handle			1	\$5.81	
6	12122200002695	Water Collecting Cover			1	\$7.92	
7	12222500000633	Front right clapboard assembly			1	\$51.10	
7.1	12100702000038	Little Handle			1	\$1.58	
9	12222000004018	Chassis assembly			1	\$94.00	
10	12222000004983	Front panel			1	\$85.34	
11	12222200000907	Air Outlet Guard			1	\$64.67	
12	12100105000084	Axial fan			1	\$52.02	
13	11002015000247	Brushless DC Motor			1	\$181.37	ZKFN-120-8-2
14	12222000005162	Holder for fan motor assembly			1	\$48.04	
16	12222200001158	Separator Assembly			1	\$32.60	
18	12222500000587	Topcap assembly			1	\$68.34	
19	17222000A15868	Electronic control box assembly			1	\$390.29	
19.1	12122200002713	Electric Installing Box Cover Subassembly			1	\$43.66	
19.2	17122000A13187	Outdoor main control board assembly			1	\$341.76	
19.4	12122200002717	Electric Installing Box Subassembly			1	\$37.62	
20	17222000014908	Terminal Block Subassembly of Electrical Control Box			1	\$45.37	
20.1	17400401000037	Wire holder			1	\$16.56	
20.2	12222200001476	Wiring terminal installing plate			1	\$3.96	

This information is to be used by qualified HVAC technicians only and is subject to revision without notice

KSIE024-H220-O - Parts List No. P1IE1608

Above prices are subject to S&H charges

DATE 16-04

KSIE024-H220-O - SPARE PARTS LIST

No.	Part Number	Part Name	Specifications	Stock No.	Qty.	Price	Remarks
21	15422000005608	4-ways valve assembly			1	\$141.41	
21.1	15500204000025	Stop valve			1	\$41.04	
21.2	15500216000361	4-ways valve			1	\$76.19	
21.4	15122000010254	Suction assembly			1	\$16.92	
21.5	15122000010256	Discharge assembly			1	\$11.88	
22	15422000003309	Liquid valve Assembly			1	\$167.11	
22.1	15500204000021	Low Pressure Valve			1	\$33.29	
22.2	15500213000265	Electronic expansion valve			1	\$137.38	
22.3	12222200002110	Installation plate for valves			1	\$5.41	
23	12122000006844	Clamp, front net			8	\$0.13	
24	15500406000003	Copper net			1	\$7.92	
24	15500406000010	Copper nut			1	\$4.36	
25	12222000006604	Rear net			1	\$31.35	
26	11103020000179	Inverter Controlled Rotary Compressor			1	\$401.77	ATF235D22UMT
27	17400306000058	Reactor			1	\$75.68	
29	11201007000157	Discharge temperature sensor assembly			1	\$8.84	
30	11201007000039	Room Temperature Sensor			1	\$4.49	
	17402001000119	Compressor heater			1	\$27.06	
	17402002000043	Chasis heater			1	\$79.33	

This information is to be used by qualified HVAC technicians only and is subject to revision without notice

KSIE024-H220-O - Parts List No. P11E1608

Above prices are subject to S&H charges

DATE 16-04