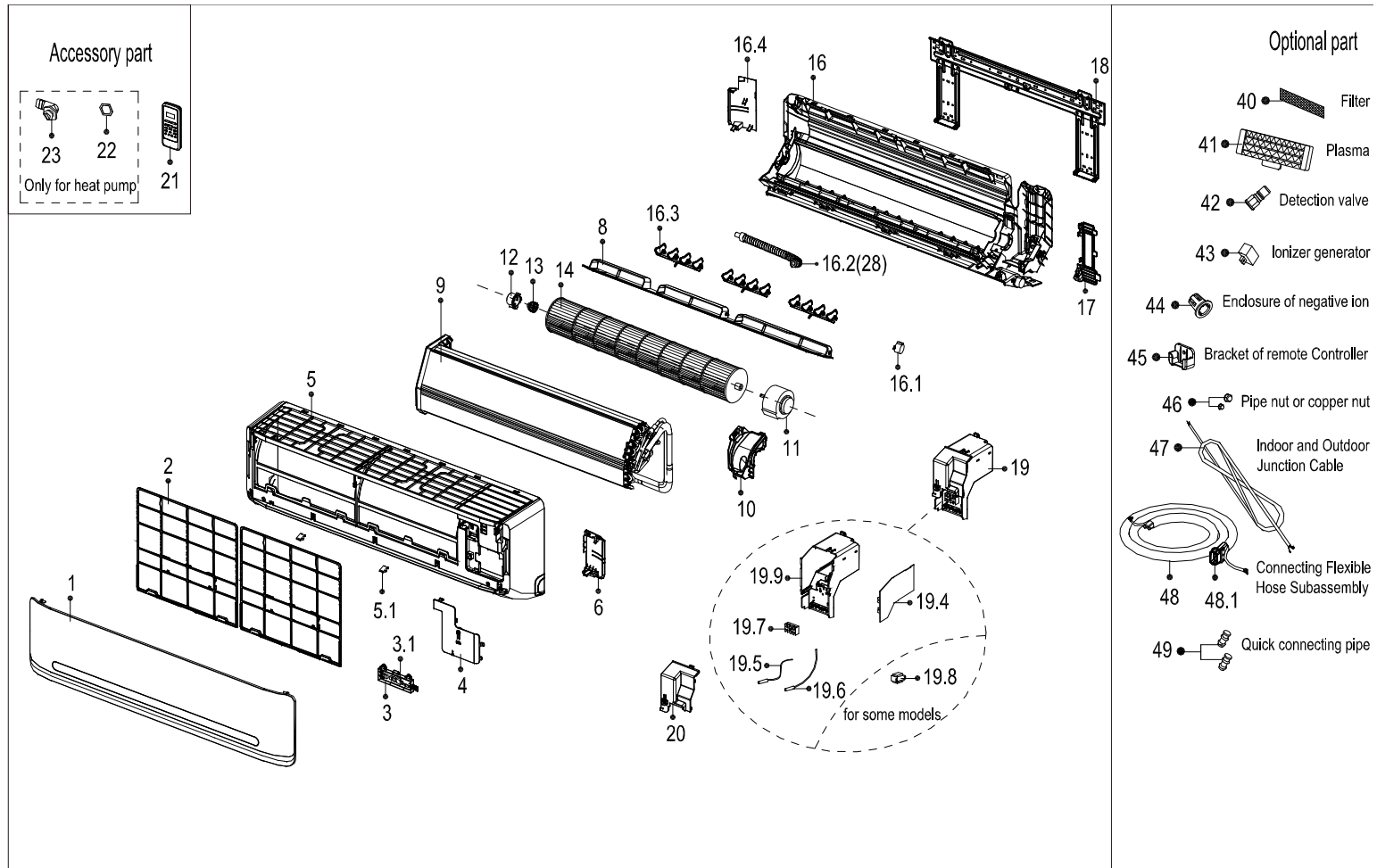


# EXPLODED DIAGRAM - PARTS VIEW

**Sale Model:** KSIE018-H220-I

**Power Supply:** 208-230v / 1ph / 60Hz



This information is to be used by qualified HVAC technicians only and is subject to revision without notice

KSIE018-H220-I - Drawing No. D2IE1607

DATE 16-04

## KSIE018-H120-I - SPARE PARTS LIST

No.	Part Number	Part Name	Specifications	Stock No.	Qty.	Price	Remarks
1	12122000A09055	Panel assembly			1	\$42.07	
2	12100204000461	Filter			2	\$15.48	
3	17222000A08993	Indicator board assembly of Split Unit			1	\$19.56	
3.1	17122000A09452	Display Panel Subassembly(Sticker)			1	\$12.72	
4	12122000006733	E-Parts Cover Plate			1	\$7.13	
5	12122000001956	frame assembly			1	\$72.41	
5.1	12122000008242	Screw Cap			2	\$0.13	
6	12122000004608	Right Cover Plate of Chassis			1	\$3.30	
8	12122000006335	Wind Guide			1	\$24.05	
9	15822000003676	Evaporator assembly Gas valve assembly			1	\$182.95	
10	12122000005512	Motor Bearing Cover			1	\$6.86	
11	11002015000094	Brushless DC Motor			1	\$218.16	ZKFP-58-8-1
12	12122000000350	beating base jacket			1	\$0.53	
13	12622000000006	Beating base			1	\$1.58	
14	12100102000018	Cross-flow window rotor			1	\$56.30	
16	12122000011879	Chassis assembly			1	\$172.94	
16.1	11002010000049	stepper motor			1	\$19.68	
16.3	12122000000135	Louver			3	\$1.45	
16.4	12122000004614	Left Cover Plate of Chassis			1	\$3.70	
17	12122000012942	Pipe clamp board			1	\$2.51	
18	12222000000026	Installation Plate Subassembly			1	\$18.48	
19	17222000009479	E-Parts Box assembly of Split Indoor Unit			1	\$148.10	
19.4	17122000018869	Indoor Main Control Board Subassembly (Sticker)			1	\$125.24	
19.5	11201007000085	Room Temperature Sensor			1	\$5.02	

This information is to be used by qualified HVAC technicians only and is subject to revision without notice

KSIE018-H220-I - Drawing No. P2IE1607

Above prices are subject to S&H charges

DATE 16-04

## KSIE018-H120-I - SPARE PARTS LIST

No.	Part Number	Part Name	Specifications	Stock No.	Qty.	Price	Remarks
19.6	11201007000126	Temperature Sensor			1	\$4.36	
19.7	17400401000006	Wire holder			1	\$10.20	
19.9	12122000007845	Electrical Control Box			1	\$19.08	
20	12122000005024	Electrical Control Box Cover			1	\$4.49	
21	17317000A06740	Remote Controller			1	\$46.61	RG51F/EU1
22	12600701000039	Seal ring			1	\$0.13	
23	12100509000061	Drain hose			1	\$0.40	
28	12100501000032	Drain Hose			1	\$5.15	
40	12100204000685	Formaldehyde-kille			1	\$1.06	
46	15500406000012	Copper nut			1	\$5.68	
46	15500406000016	Copper nut			1	\$2.64	

This information is to be used by qualified HVAC technicians only and is subject to revision without notice

KSIE018-H220-I - Drawing No. P2IE1607

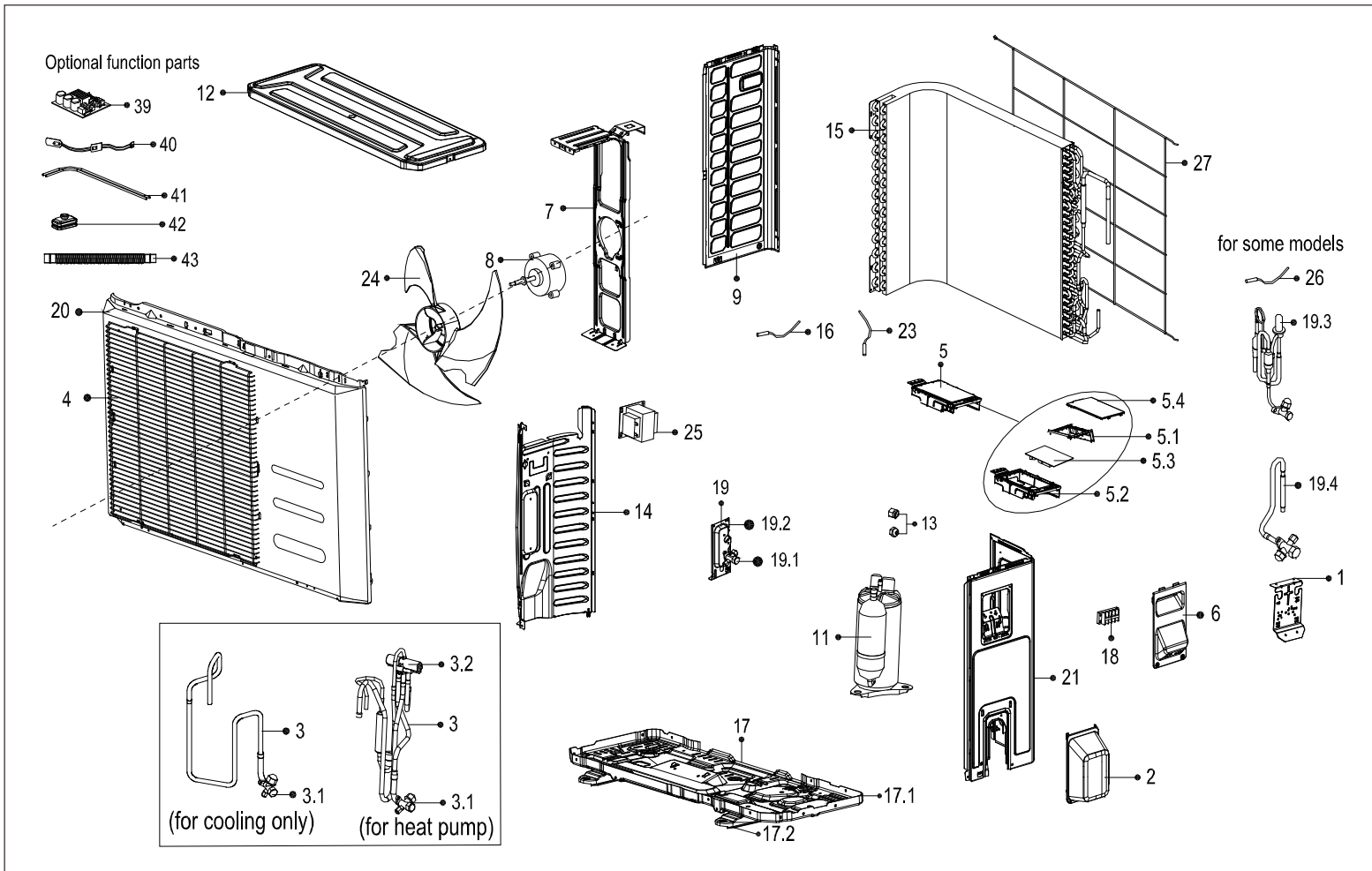
Above prices are subject to S&H charges

DATE 16-04

# EXPLODED DIAGRAM - PARTS VIEW

**Sale Model:** KSIE018-H220-O

**Power Supply:** 208-230V / 1ph / 60Hz



This information is to be used by qualified HVAC technicians only and is subject to revision without notice

KSIE018-H220-O - Drawing No. D11E1607

DATE 16-04

## KSIE018-H220-O - SPARE PARTS LIST

No.	Part Number	Part Name	Specifications	Stock No.	Qty.	Price	Remarks
1	12222000004782	Terminal board			1	\$4.88	
2	12122000007150	Water Collecting Cover			1	\$9.11	
3	15422000004873	4-way valve assembly			1	\$131.47	
3.1	15500204000046	Stop valve			1	\$29.41	
3.2	15500216000026	4-way Valve			1	\$72.24	
4	12222000007425	Air outlet grille			1	\$49.57	
5	17222000A15869	Electronic control box assembly			1	\$365.28	
5.1	12122000014683	Supporting Plate			1	\$8.32	
5.2	12222000004827	Cover of electronic control box			1	\$24.85	
5.3	17122000A13189	Outdoor main control board assembly			1	\$323.66	
5.4	12122000006856	Electric Installing Box Subassembly			1	\$23.37	
6	12222000005102	Big handle			1	\$3.96	
7	12222000004884	Supporter assembly of fan motor			1	\$30.44	
8	11002015000397	Brushless DC Motor			1	\$152.86	ZKFN-50-8-2
9	12222000004831	Left side plate assembly			1	\$32.60	
11	11103020000006	Inverter Controlled Rotary Compressor			1	\$305.76	ASM135D23UFZ
12	12222000004835	Top cover assembly			1	\$53.24	
13	15500406000016	Copper nut			1	\$2.64	
13	15500406000012	Copper nut			1	\$5.68	
14	12222000004784	Partition board assembly			1	\$24.85	
15	15822000003619	Condenser Assembly			1	\$276.91	
16	11201007000039	Room Temperature Sensor			1	\$4.49	
17	12222000A01111	Chassis assembly			1	\$79.97	
17.1	12222000004786	Chassis			1	\$68.75	

This information is to be used by qualified HVAC technicians only and is subject to revision without notice

KSIE018-H220-O - Parts List No. P1IE1607

Above prices are subject to S&H charges

DATE 16-04

## KSIE018-H220-O - SPARE PARTS LIST

No.	Part Number	Part Name	Specifications	Stock No.	Qty.	Price	Remarks
17.2	12222000004788	Footing			2	\$14.28	
18	17400401000075	Wire holder			1	\$26.45	
19	15422000004952	Liquid valve assembly			1	\$130.79	
19.1	15500208000028	High-Voltage valve			1	\$21.66	
19.2	12222000002571	Installing plate for valves			1	\$5.15	
19.3	15500213000047	Electric expansive valve assembly			1	\$100.80	
20	12222000006304	Front panel			1	\$101.81	
21	12222000004830	Right side plate			1	\$51.20	
23	11201007000069	Temperature Sensor			1	\$5.41	
24	12100105000181	Axial fan			1	\$43.76	
25	17400306000053	Reactor			1	\$57.63	
26	11201007000005	Discharge temperature sensor assembly			1	\$11.52	
27	12222000004833	Rear net			1	\$21.55	
	17402002000043	Chasis heater			1	\$79.33	
	17402001000008	Compressor Heater			1	\$25.90	

This information is to be used by qualified HVAC technicians only and is subject to revision without notice

KSIE018-H220-O - Parts List No. P1IE1607

Above prices are subject to S&H charges

DATE 16-04