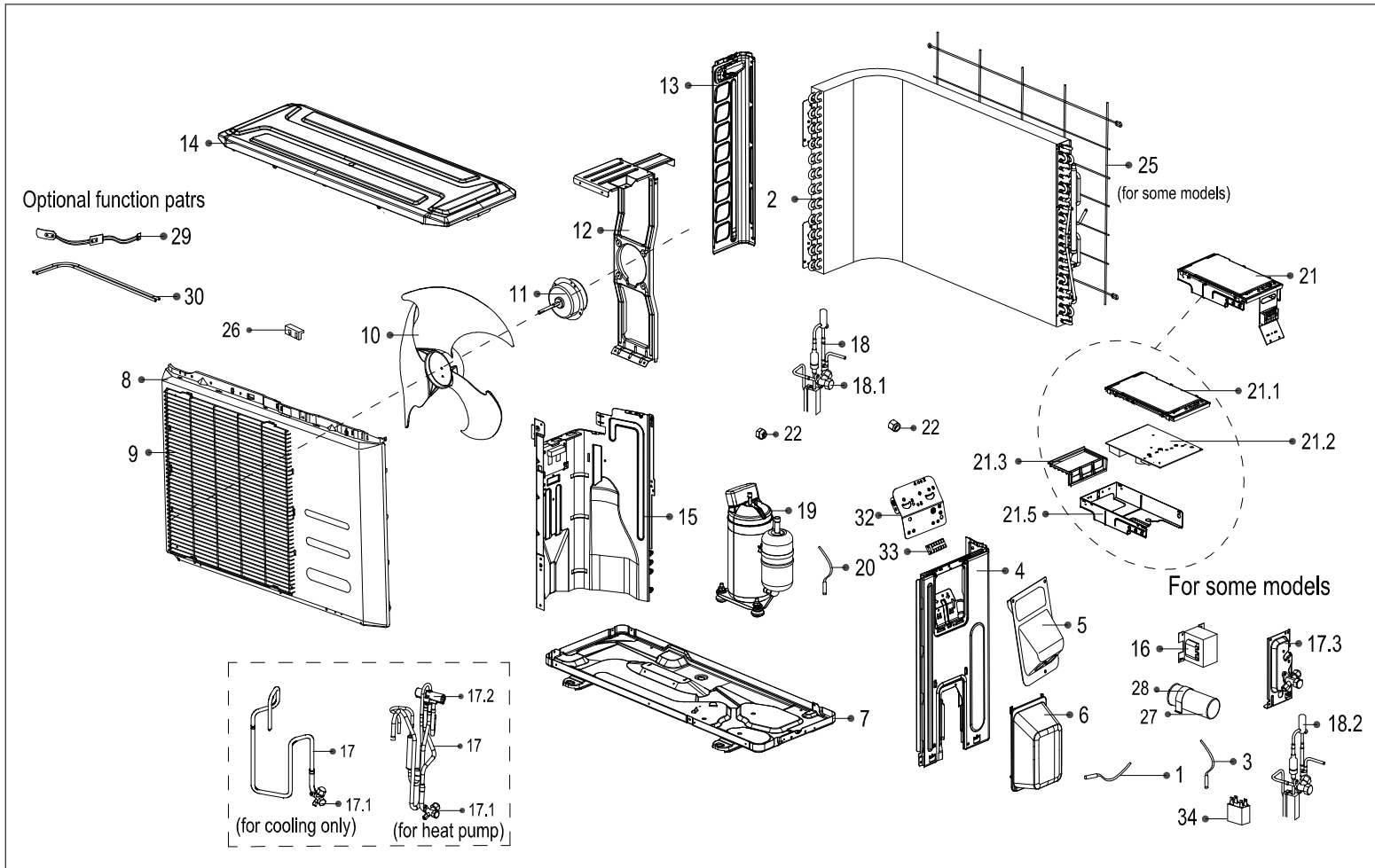


EXPLODED DIAGRAM - PARTS VIEW

Sale Model: KSIE012-H220-O

Power Supply: 208-230V / 1ph / 60Hz



This information is to be used by qualified HVAC technicians only and is subject to revision without notice

KSIE012-H220-O - Drawing No. D11E1606

DATE 16-04

KSIE012-H220-O - SPARE PARTS LIST

No.	Part Number	Part Name	Specifications	Stock No.	Qty.	Price	Remarks
1	11201007000039	Room Temperature Sensor			1	\$4.49	
2	15822000003520	Condenser assembly			1	\$226.53	
3	11201007000136	Temperature Sensor			1	\$5.94	
4	12222000005745	Right clapboard assembly			1	\$30.10	
5	12222000005102	Big handle			1	\$3.96	
6	12122000007150	Water Collecting Cover			1	\$9.11	
7	12222000005062	Chassis Assembly			1	\$59.67	
8	12222000004463	Front panel			1	\$71.40	
9	12222000007424	Air outlet grille			1	\$56.10	
10	12100105000051	Axial fan			1	\$28.84	
11	11002015000041	Brushless DC Motor			1	\$107.35	ZKFN-40-8-1L
12	12222200001462	Fan Motor Holder Subassembly			1	\$14.88	
13	12222000006504	Left supporter			1	\$11.40	
14	12222000002451	Top cover assembly			1	\$46.51	
15	12222000003984	Separation plate			1	\$23.64	
17	15422000004933	4-Ways valve assembly			1	\$125.50	
17.1	15500204000058	Low Pressure Valve			1	\$27.47	
17.2	15500216000028	4-way Valve			1	\$72.42	
17.3	12222000002571	Installing plate for valves			1	\$5.15	
18	15422000004932	High-Voltage valve Assembly			1	\$123.48	
18.1	15500208000028	High-Voltage valve			1	\$15.60	
18.2	15500213000047	Electric expansive valve assembly			1	\$100.80	
19	11103020000479	DC Inverter Rotary Compressor			1	\$335.23	ASM98D32UFZ
20	11201007000005	Discharge temperature sensor assembly			1	\$11.52	

This information is to be used by qualified HVAC technicians only and is subject to revision without notice

KSIE012-H220-O - Parts List No. P1IE1606

Above prices are subject to S&H charges

DATE 16-04

KSIE012-H220-O - SPARE PARTS LIST

No.	Part Number	Part Name	Specifications	Stock No.	Qty.	Price	Remarks
21.2	17122000A13487	Outdoor power board assembly			1	\$247.81	
21.3	12122000006913	Installation board for E-parts			1	\$7.79	
21.5	12222000001311	Electric Installing Box Subassembly			1	\$12.24	
22	15500406000012	Copper nut			1	\$7.26	
22	15500406000016	Copper nut			1	\$2.64	
25	12222000003622	Rear Net			1	\$22.68	
32	12222000002259	Terminal Installing Plate			1	\$0.40	
33	17400401000075	Wire holder			1	\$26.45	
	17402002000042	Chasis Heater			1	\$76.38	
	17402001000008	Compressor Heater			1	\$30.55	

This information is to be used by qualified HVAC technicians only and is subject to revision without notice

KSIE012-H220-O - Parts List No. P1IE1606

Above prices are subject to S&H charges

DATE 16-04