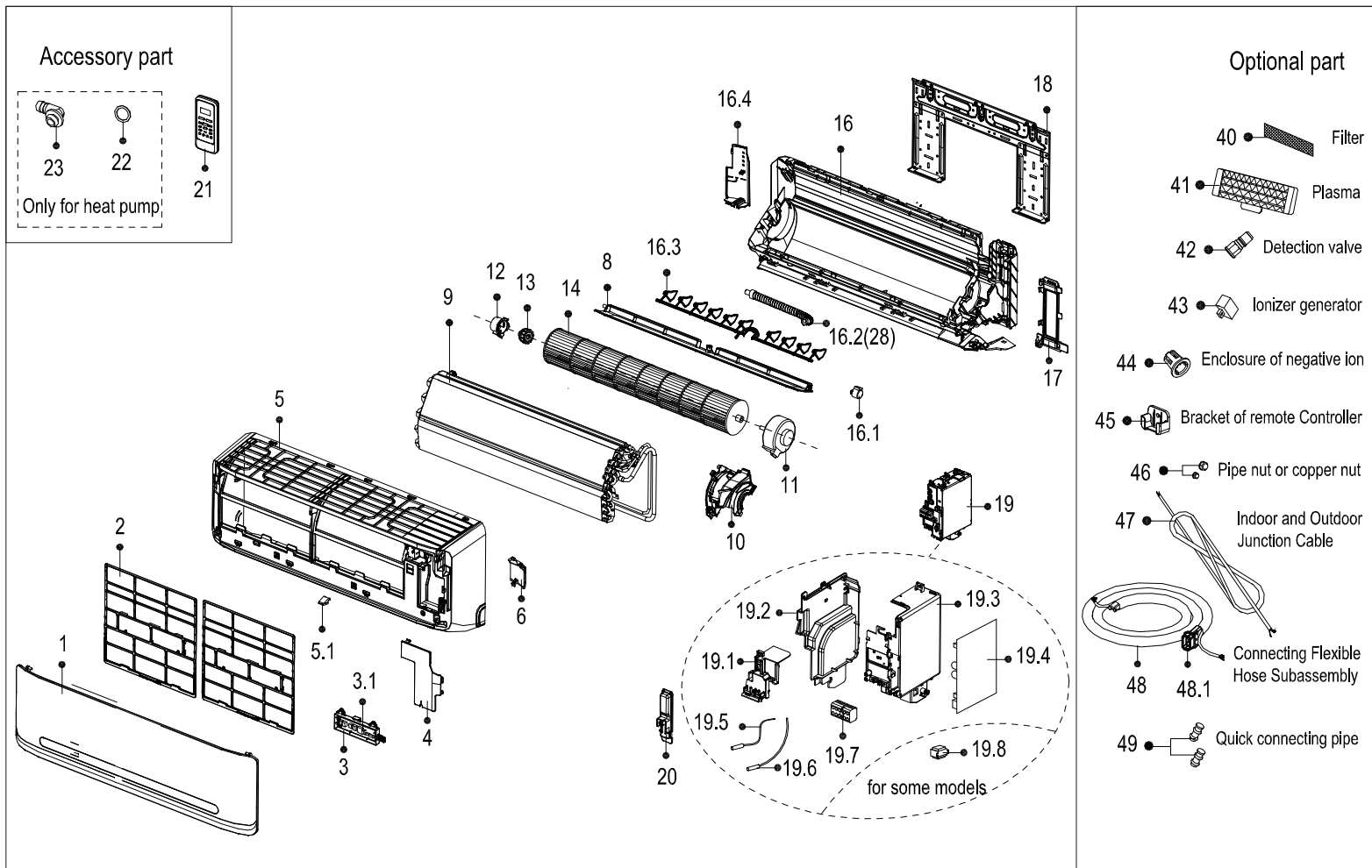


EXPLODED DIAGRAM - PARTS VIEW

Sale Model: KSIE012-H120-I

Power Supply: 115V / 60Hz



This information is to be used by qualified HVAC technicians only and is subject to revision without notice

KSIE012-H120-I - Drawing No. D2IE1605

DATE 16-04

KSIE012-H120-I - SPARE PARTS LIST

No.	Part Number	Part Name	Specifications	Stock No.	Qty.	Price	Remarks
1	12122000A09050	Panel assembly			1	\$43.55	
2	12100204000522	Filter			2	\$7.68	
3	17222000A08992	Indicator board assembly of Split Unit			1	\$18.00	
3.1	17122000A09452	Display Panel Subassembly(Sticker)			1	\$12.72	
4	12122000006755	E-Parts Cover Plate			1	\$4.08	
5	12122000001726	frame assembly			1	\$53.86	
5.1	12122000009477	Screw Cap			1	\$0.12	
6	12122000004587	Right Cover Plate of Chassis			1	\$0.84	
8	12122000005815	Wind Guide Assembly			1	\$12.00	
9	15822000003601	Evaporator assembly			1	\$157.25	
10	12122000005540	Motor Bearing Cover			1	\$3.96	
11	11002015000031	Brushless DC Motor			1	\$147.74	ZKFP-20-8-5
12	12122000000350	beating base jacket			1	\$0.48	
13	12622000000006	Beating base			1	\$1.44	
14	12100102000044	Cross-flow Window Rotor.			1	\$42.18	
16	12122000011818	Chassis assembly			1	\$99.20	
16.1	11002010000143	stepper motor			1	\$11.76	
16.3	12122000000038	Louver Assembly			1	\$2.64	
16.4	12122000010098	Left cover of chassis			1	\$1.44	
17	12122000012943	Pipe clamp board			1	\$1.80	
18	12222000000018	Installation Plate			1	\$15.00	
19	17222000009769	Electronic control box assembly			1	\$125.64	
19.1	12122000004577	Upper Cover Board of Electrical Control Box			1	\$1.68	
19.2	12122000004639	Left Side Plate of Electrical Control Box			1	\$6.48	

This information is to be used by qualified HVAC technicians only and is subject to revision without notice

KSIE012-H120-I - Parts List No. P2IE1605

Above prices are subject to S&H charges

DATE 16-04

KSIE012-H120-I - SPARE PARTS LIST

No.	Part Number	Part Name	Specifications	Stock No.	Qty.	Price	Remarks
19.3	12122000004632	Right Side Plate of E-Parts Box			1	\$10.32	
19.4	17122000019262	Indoor main control board assembly			1	\$106.09	
19.5	11201007000085	Room Temperature Sensor			1	\$4.56	
19.6	11201007000322	Temperature Sensor			1	\$4.32	
19.7	17400401000094	Wire joint, 5p			1	\$6.72	
20	12122000005020	Electrical Control Box Cover			1	\$0.60	
21	17317000A06740	Remote Controller			1	\$46.61	RG51F/EU1
22	12600701000039	Seal ring			1	\$0.12	
23	12100509000061	Drain hose			1	\$0.36	
28	12100501000032	Drain Hose			1	\$4.68	
40	12100204000685	Formaldehyde-kille			1	\$0.96	
46	15500406000012	Copper nut			1	\$5.16	
46	15500406000016	Copper nut			1	\$3.12	

This information is to be used by qualified HVAC technicians only and is subject to revision without notice

KSIE012-H120-I - Parts List No. P2IE1605

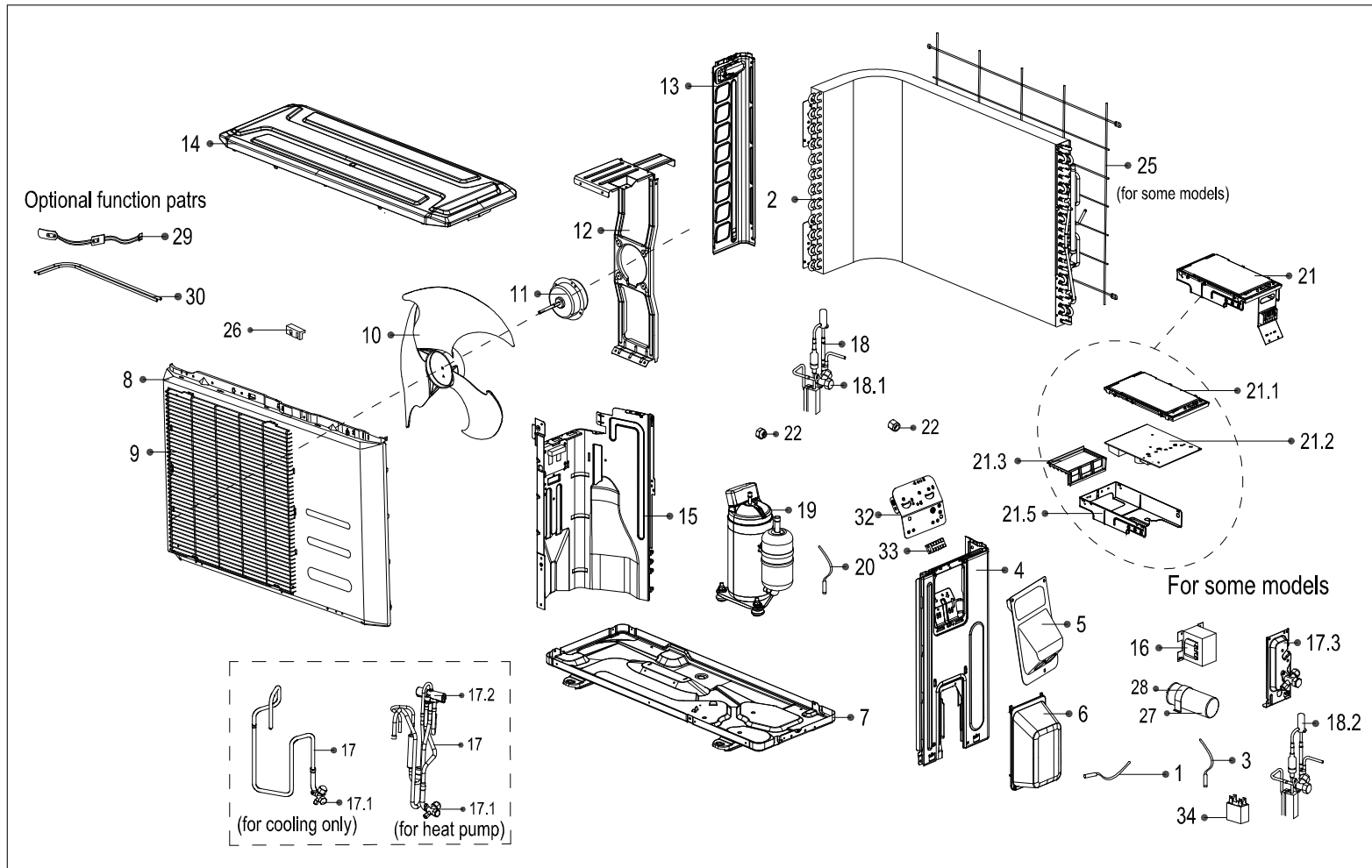
Above prices are subject to S&H charges

DATE 16-04

EXPLODED DIAGRAM - PARTS VIEW

Sale Model: KSIE012-H120-O

Power Supply: 115V / 60Hz



This information is to be used by qualified HVAC technicians only and is subject to revision without notice

KSIE012-H120-O - Drawing No. D11E1605

DATE 16-04

KSIE012-H120-O - SPARE PARTS LIST

No.	Part Number	Part Name	Specifications	Stock No.	Qty.	Price	Remarks
1	11201007000039	Room Temperature Sensor			1	\$4.49	
2	15822000003520	Condenser assembly			1	\$226.53	
3	11201007000136	Temperature Sensor			1	\$5.94	
4	12222000005745	Right clapboard assembly			1	\$30.10	
5	12222000005102	Big handle			1	\$3.96	
6	12122000007150	Water Collecting Cover			1	\$9.11	
7	12222000005062	Chassis Assembly			1	\$59.67	
8	12222000004463	Front panel			1	\$71.40	
9	12222000007424	Air outlet grille			1	\$56.10	
10	12100105000003	Axial fan			1	\$26.45	
11	11002015000041	Brushless DC Motor			1	\$107.35	ZKFN-40-8-1L
12	12222200001462	Fan Motor Holder Subassembly			1	\$14.88	
13	12222000006504	Left supporter			1	\$11.40	
14	12222000002451	Top cover assembly			1	\$46.51	
15	12222000003984	Separation plate			1	\$22.46	
16	17400306000019	Reactor			1	\$50.49	
17	15422000005173	4-Ways valve assembly			1	\$124.42	
17.1	15500204000058	Low Pressure Valve			1	\$27.47	
17.2	15500216000341	4-Ways valve			1	\$70.99	
17.3	12222000002571	Installing plate for valves			1	\$5.15	
18	15422000005172	High-Voltage valve Assembly			1	\$36.37	
18.1	15500208000028	High-Voltage valve			1	\$15.60	
19	11103020000479	DC Inverter Rotary Compressor			1	\$335.23	ASM98D32UFZ
20	11201007000005	Discharge temperature sensor assembly			2	\$11.52	

This information is to be used by qualified HVAC technicians only and is subject to revision without notice

KSIE012-H120-O - Parts List No. P1IE1605

Above prices are subject to S&H charges

DATE 16-04

KSIE009-H121-O - SPARE PARTS LIST

No.	Part Number	Part Name	Specifications	Stock No.	Qty.	Price	Remarks
21	17222000A16668	Electronic control box assembly			1	\$259.09	
21.1	12222000001455	Electric Installing Box Cover			1	\$7.26	
21.2	17122000A13696	Outdoor power board assembly			1	\$226.96	
21.3	12122000006913	Installation board for E-parts			1	\$7.79	
21.5	12222000001311	Electric Installing Box Subassembly			1	\$12.24	
22	15500406000012	Copper nut			1	\$5.68	
22	15500406000016	Copper nut			1	\$2.64	
25	12222000003622	Rear Net			1	\$22.68	
27	17400103000052	Compressor Capacitor(Round)			1	\$28.32	45uF/250V
28	12200203000007	Capacitor Clamp			1	\$0.13	
32	12222000002259	Terminal Installing Plate			1	\$0.40	
33	17400401000035	Wire holder			1	\$26.45	
34	17400103000052	Compressor Capacitor(Round)			1	\$26.90	45uF/250V
	17402001000018	Compressor heater			1	\$29.94	
	17402002A00005	Chasis heater			1	\$79.42	

This information is to be used by qualified HVAC technicians only and is subject to revision without notice

KSIE012-H120-O - Parts List No. P1IE1605

Above prices are subject to S&H charges

DATE 16-04