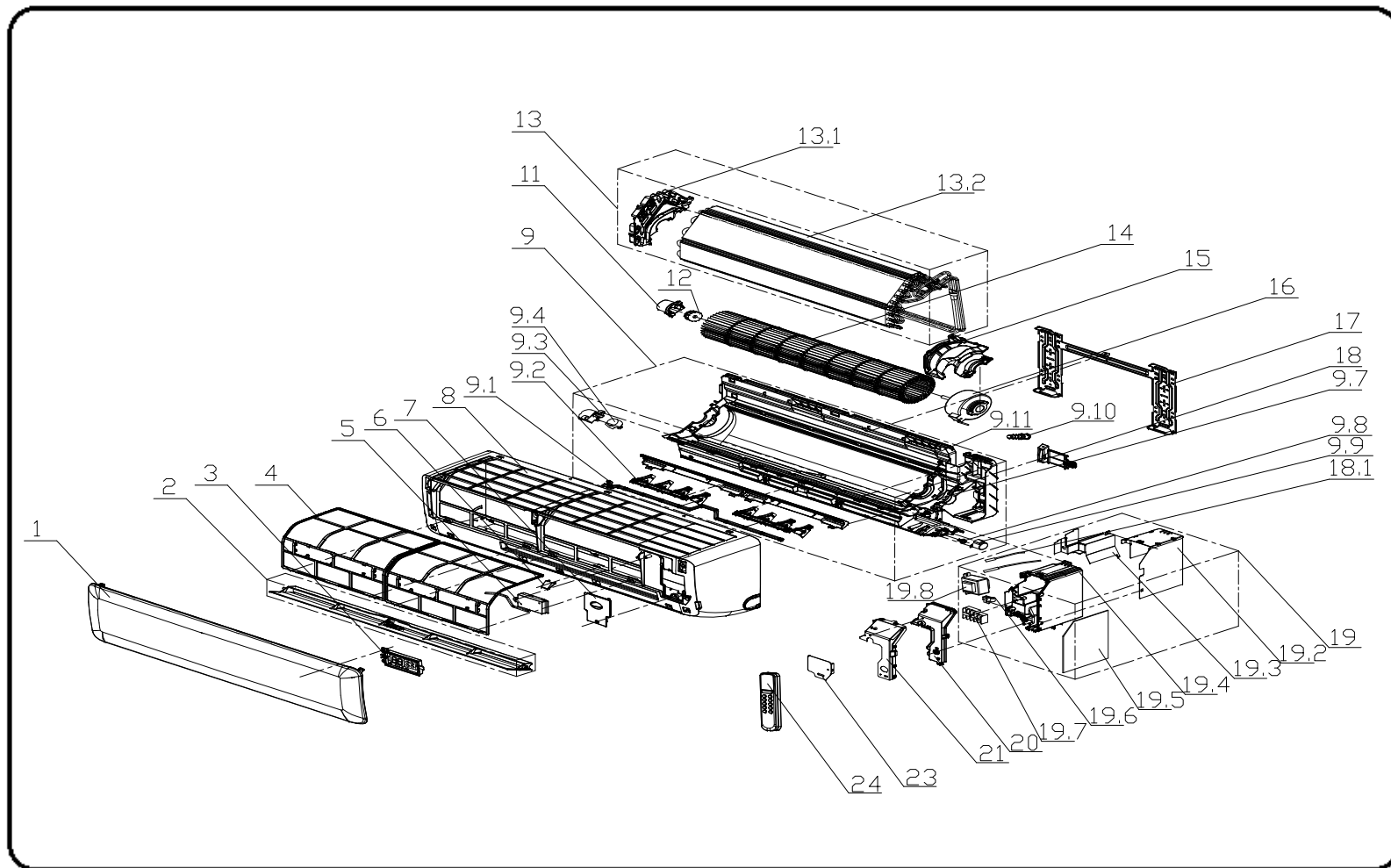


EXPLODED DIAGRAM - PARTS VIEW

Sales Model: KSIA012-H216-I
Power Supply: 208-230~ 60Hz 1ph



This information is to be used by qualified HVAC technicians only and is subject to revision without notice

KSIA012-H216-I - Drawing No. D5IA1603

DATE 16-03

KSIA012-H216-I - SPARE PARTS LIST

No.	Part Number	Part Name	Specifications	Stock No.	Qty.	Price	Remarks
1	11320003002093	Front panel			1	\$77.69	
2	11320005000289	Air louver			1	\$12.20	
3	11222023000495	Display board			1	\$46.36	
4	11220508000124	Filter			2	\$6.71	
5	11320033000076	Display Board Base			1	/	
6	11320096000075	Screw Cover			1	\$0.45	
7	11320076000084	Medium frame cover			1	\$4.40	
8	11320002000234	Medium frame			1	\$42.47	
9	11320076000009	Medium frame cover			1	\$0.45	
9.1	11320017000124	Air vent link			1	/	
9.2	11320017000124	Air vent			2	\$0.39	
9.3	11320079000016	Axle sleeve			1	/	
9.4	11230002000086	Step motor			1	\$10.10	
9.7	11320135000018	Volute tongue			1	/	
9.8	14731001000028	Screws			1	/	
9.9	11230002000086	Step motor			1	\$10.00	
9.10	11333003000009	Drain jam			1	\$10.10	
9.11	11320001000241	Chassis			1	\$78.19	
11	11320062000028	Fixed Seat			1	/	
12	11220551000003	Rubber shaft bearing			1	/	
13	11224003000679	Evaporator assembly			1	\$182.82	
13.1	11320015000139	Evaporator left side carriage			1	\$0.59	

This information is to be used by qualified HVAC technicians only and is subject to revision without notice

KSIA012-H216-I - Parts List PSIA1603

DATE 16-03

KSIA012-H216-I - SPARE PARTS LIST

No.	Part Number	Part Name	Specifications	Stock No.	Qty.	Price	Remarks
13.2	11224009000299/11224	Evaporator A and B			1	/	
14	11220513000065	Indoor fan			1	\$34.68	
15	11320052000044	Motor cover			1	/	
16	11230003000141	Indoor fan motor			1	\$124.77	
17	11221500000034	Mounting plate assembly			1	\$8.91	
18	11320084000013	Pipe clamp			1	/	
18.1	11320029000004	Plastic tie			1	/	
19	11222003002097	Main control Unit			1	\$136.50	
19.2	11321020000033	Iron Control box A			1	/	
19.3	11321020000034	Iron Control box B			1	/	
19.4	11320057000082	Control box			1	\$16.30	
19.5	11222009002798	PCB board			1	\$92.47	
19.6	11321001000009	Clamp			1	/	
19.7	11330037000020	Terminal Board			1	\$10.10	
19.8	11329013000027	Room sensor			1	\$6.71	
20	11320058000067	Control box cover			1	\$6.71	
21	11321020000035	Plastic Control box cover			1	/	
23	11321020000036	Iron control box cover			1	/	
24	11222001000112	Remote control				\$51.85	

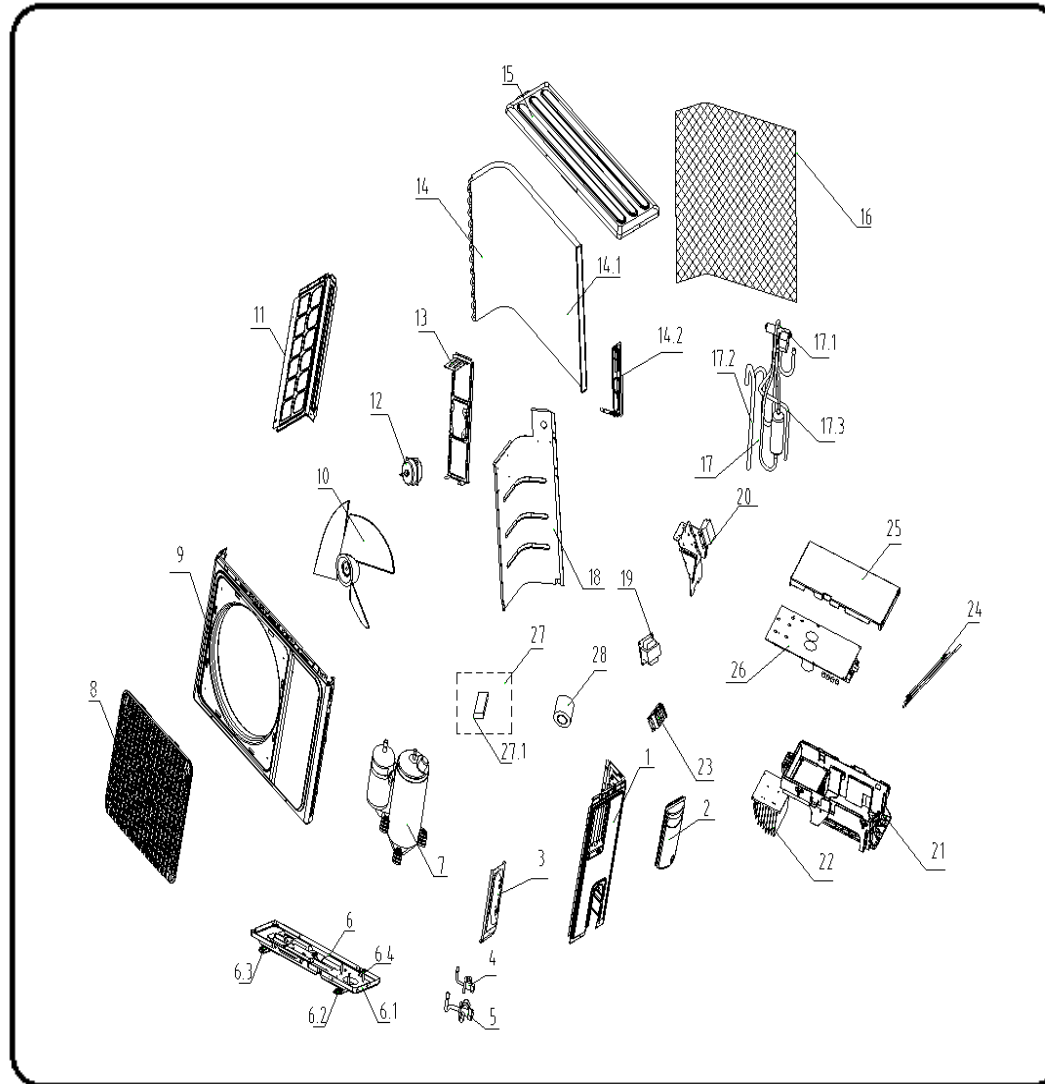
This information is to be used by qualified HVAC technicians only and is subject to revision without notice

KSIA012-H216-I - Parts List P5IA1603

DATE 16-03

EXPLODED DIAGRAM - PARTS VIEW

Sales Model: KSIA012-H216-O
Power Supply: 208-230~ 60Hz 1ph



This information is to be used by qualified HVAC technicians only and is subject to revision without notice

KSIA012-H216-O - Drawing No. D5IA1604

DATE 16-03

KSIA012-H216-O - SPARE PARTS LIST

No.	Part Number	Part Name	Specifications	Stock No.	Qty.	Price	Remarks
1	11321007000287	Right side panel			1	\$24.30	
2	11321008000014	E-parts cover			1	—	
3	11321031000027	Valve plate			1	\$4.40	
4	11325042000030	Gas Valve			1	\$28.88	
5	11325042000015	Liquid Valve			1	\$16.30	
6	11221502000434	Chassis assembly			1	\$43.18	
6.1	11321014000127	Chassis			1	\$43.18	
6.2	11321023000012	Right Foot			1	—	
6.3	11321023000012	Left Foot			1	—	
6.4	14731005000024	Screw Bolt			1	—	
7	11223003000270	Compressor assembly			1	\$309.36	
8	11320026000038	Panel grille			1	\$20.30	
9	11321005000075	Panel			1	\$38.57	
10	11320009000049	Axial flow fan			1	\$24.30	
11	11321006000108	Left side support plate			1	\$8.91	
12	11230005000002	Outdoor fan motor			1	\$85.26	
13	11321002000030	Motor support			1	\$16.30	
14	11224004001252	Condenser assembly			1	\$170.58	
14.1	11224006000386	Condenser			1	\$170.58	
14.2	11225506001353	Capillary assembly			1	\$20.30	
15	11321009000033	Top cover assembly			1	\$24.30	
16	Optional	Rear grille			1	\$20.30	
17	11225516000651	4-way valve tubing assembly			1	\$120.82	
17.1	11225509000038	4-way valve			1	\$120.82	
17.2	11225504000454	Suction pipe			1	—	
17.3	11225505000537	Discharge pipe assembly			1	—	

This information is to be used by qualified HVAC technicians only and is subject to revision without notice

KSIA012-H216-O - Drawing No. P5IA1604

DATE 16-03

KSIA012-H216-O - SPARE PARTS LIST

No.	Part Number	Part Name	Specifications	Stock No.	Qty.	Price	Remarks
18	11321025000048	Partition board			1	\$14.20	
19	11330034000008	Reactor			1	\$34.68	
20	11321015000034	E-parts bracket			1	\$0.53	
21	11320057000069	Control box			1	—	
22	11329031000033	Radiator			1	—	
23	11330037000139	Terminal board			1	\$6.71	
24	11329013000105	Sensor assembly			1	—	
25	11320058000057	Control box cover			1	—	
26	11222031000590	Main control board			1	\$260.50	
27	11219005000166	Accessories			1	—	
27.1	14618079000002	Putty			1	—	
28	11320022000016	Plastic tie			1	—	

This information is to be used by qualified HVAC technicians only and is subject to revision without notice

KSIA012-H216-O - Drawing No. P5IA1604

DATE 16-03