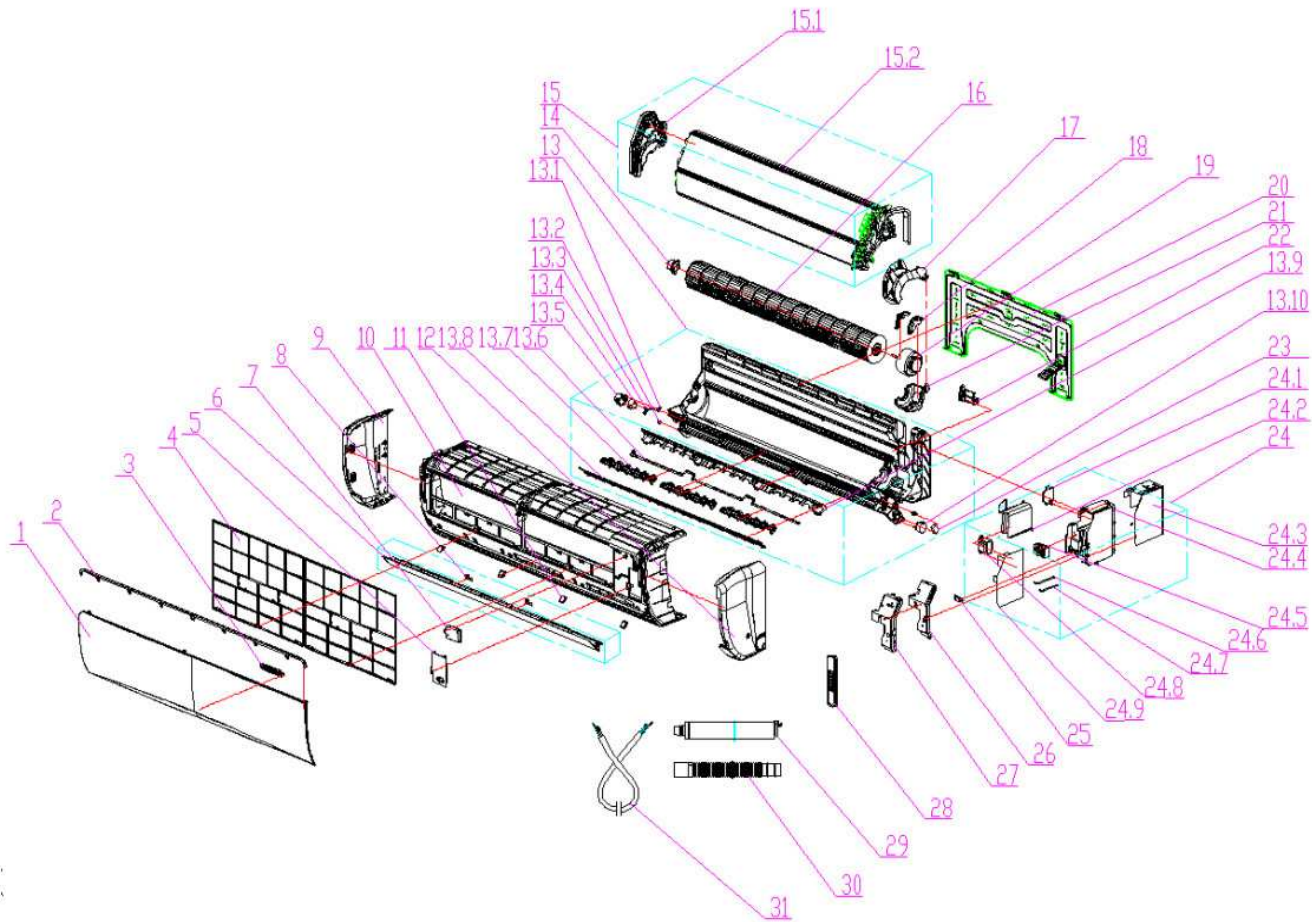


# EXPLODED DIAGRAM — PARTS VIEW

**Sales Model:** KSIA036-H216-IW  
**Power Supply:** 208-230 V-1-60 Hz



This information is to be used by qualified HVAC technicians only and is subject to revision without notice

KSIA036-H216-IW - Drawing No. D2IA1824

DATE 18-04

## KSIA036-H216-IW — SPARE PARTS LIST

No.	Part Number	Description	Specifications	Stock No.	Qty.	Price	Remarks
1	11320003002657	Panel			1	\$177.75	
2	11320061000448	Decorative strip			1	\$34.76	
3	11222014000659	Display board			1	\$79.00	
4	11220508000160	Filter			2	\$41.80	
5	11320076000057	Medium frame wiring cover			1	\$2.40	
6	11320005000348	Air louver (Horizontal)			1	\$48.62	
7	11320080000007	Air louver			2	\$0.90	
9	11320078000131	Left cover			1	\$41.80	
10	11320002000279	Medium frame			1	\$134.30	
11	11320096000075	Screw cover			4	\$2.28	
12	11320078000132	Right cover			1	\$41.80	
13	11220500000266	Chassis assembly			1	\$201.45	
13.2	11320079000010	Shaft sleeve			1	\$0.60	
13.7	11320017000122	Air blade (Vertical)			3	\$14.40	
13.9	11320135000022	Volute			1	\$27.72	
13.1	11230002000146	Air louver step motor			1	\$27.72	
15	11320062000026	Bearing fixed chassis			1	\$2.40	
16	11224003000821	Evaporator assembly			1	\$394.61	
16.1	11320015000151	Evaporator left side carriage			1	\$15.12	
16.2	11224009000371	Evaporator assembly			1	\$303.36	
16.2	11224009000372	Evaporator assembly			1	\$237.00	
17	11220513000070	Cross flow fan			1	\$134.30	
18	11320052000049	Motor cover			1	\$22.80	
19	11320087000030	Motor cover 2			2	\$76.00	

This information is to be used by qualified HVAC technicians only and is subject to revision without notice

KSIA036-H216-IW - Parts List No. P2IA1824

Above prices are subject to S&H charges

DATE 18-04

## KSIA036-H216-IW — SPARE PARTS LIST

No.	Part Number	Description	Specifications	Stock No.	Qty.	Price	Remarks
20	11230005000031	IDU fan motor			1	\$296.25	
21	11221500000036	Mounting plate assembly			1	\$79.00	
22	11320127000015	Motor chassis			1	\$18.96	
23	11320084000013	Pipe clamp			1	\$2.40	
24	11222003002290	Main controller			1	\$260.70	
24.2	11321035000023	Controller box sheet-metal B			1	\$9.60	
24.3	11321035000022	Controller box sheet-metal A			1	\$14.10	
24.4	11320057000088	Control box			1	\$34.76	
24.5	11330037000184	Terminal board			1	\$14.10	
24.6	11329013000103	Temperature sensor 1			1	\$18.96	
24.7	11329013000103	Temperature sensor 2			1	\$18.96	
24.9	11222009002642	Main control board			1	\$154.05	
25	11320010000046	Cable clamp			1	\$0.90	
26	11320058000055	Control box cover			1	\$14.10	
27	11321020000029	Cover of electric control box			1	\$14.10	
28	11222001000112	Remote controller			1	\$94.80	
29	11220506000002	Water flow tube assembly			1	\$9.60	
30	11320020000008	Water hosepipe			1	\$9.60	
31	11330021000980	Power cable			1	\$94.01	

This information is to be used by qualified HVAC technicians only and is subject to revision without notice

KSIA036-H216-IW - Parts List No. P2IA1824

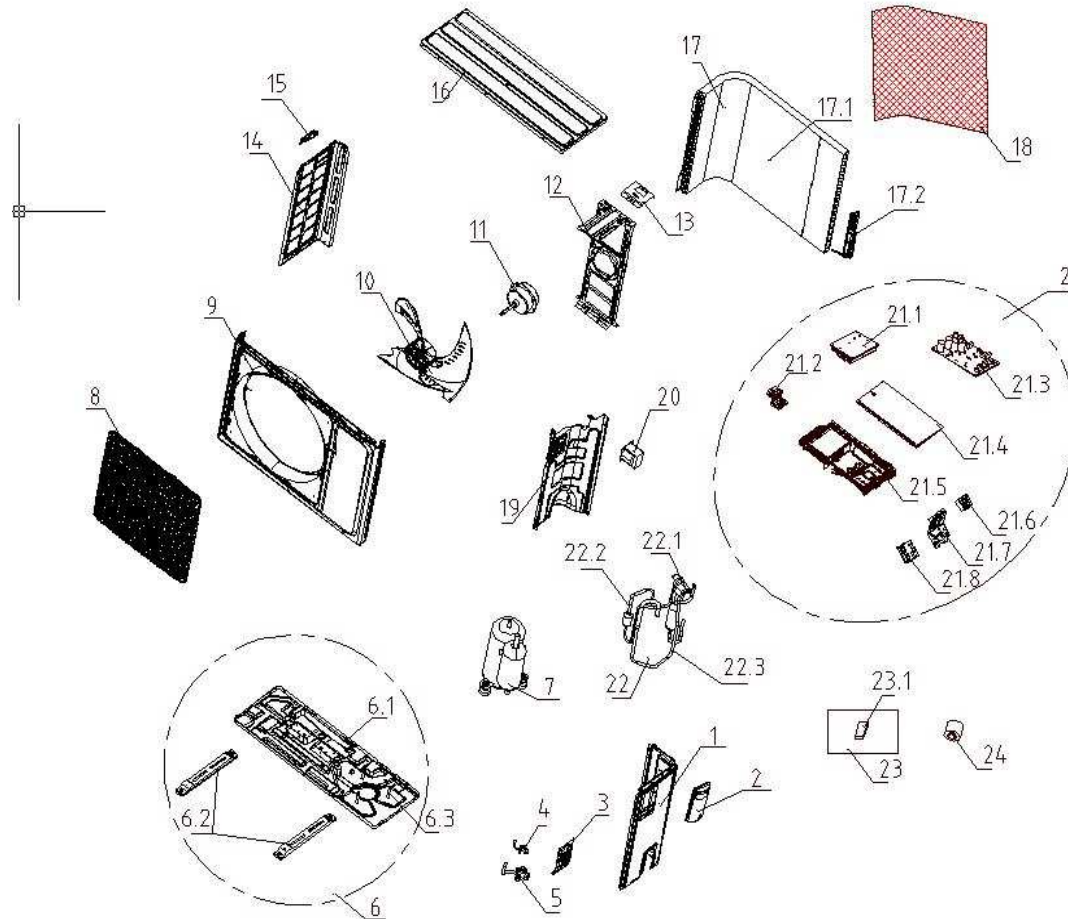
Above prices are subject to S&H charges

DATE 18-04

# EXPLODED DIAGRAM — PARTS VIEW

**Sales Model:** KSIA036-H216-O

**Power Supply:** 208-230 V-1-60 Hz



## KSIA036-H216-O — SPARE PARTS LIST

No.	Part Number	Description	Specifications	Stock No.	Qty.	Price	Remarks
1	11321007000344	right side panle			1	52.14	
2	11321008000014	E-parts cover			1	15.12	
3	11321031000027	valve plate			1	9.60	
5	11225517000011	stop valve			1	27.72	
5	11225517000005	stop valve			1	27.72	
6	11221502000491	base pan assembly			1	104.72	
6.1	11321014000131	chassis			1	107.44	
6.2	11321023000014	footing			2	94.80	
6.3	14731005000022	screw			3	27.72	
7	11223003000351	compressor and assembly			1	521.75	
8	11321022000227	panle grille			1	52.14	
9	11321005000084	panle			1	85.40	
10	11320009000052	axial flow fan			1	31.24	
11	11230005000019	motor			1	446.75	
12	11321002000032	motor support			1	52.14	
13	11321029000038	condensor assembly			1	165.90	
14	11321006000133	left panel			1	41.80	
15	11320097000010	little assembly			1	\$16.32	
16	11321009000038	top cover			1	\$18.84	
17	11224004001568	condensor assembly			1	278.00	
17.1	11224006000519	condensor assembly			1	278.00	
18	11332009000048	paperboard			1	34.76	
19	11321025000055	partition board			1	94.80	
20	11330034000012	reactor			1	42.37	

This information is to be used by qualified HVAC technicians only and is subject to revision without notice

KSIA036-H216-O - Parts List No. P2IA1825

Above prices are subject to S&H charges

DATE 18-04

## KSIA036-H216-O — SPARE PARTS LIST

No.	Part Number	Description	Specifications	Stock No.	Qty.	Price	Remarks
21	11222004000873	main controller			1	362.61	
21.1	11329031000036	radiator			1	\$105.06	
21.2	11321032000007	board			1	14.10	
21.3	11222031000905	outdoor board			1	9.60	
21.4	11321020000025	cover of electric controller box			1	14.10	
21.5	11320057000087	controller box			1	50.60	
21.6	11330037000157	terminal board			1	50.60	
21.7	11321015000042	E-parts bracket			1	52.14	
22	11225516001084	4-way valve assembly			1	63.20	
22.1	11325007000104	4-way valve			1	96.40	
22.3	11225505000964	exhaust pipe			1	93.20	
23	11219005000167	install attachment			1	14.10	
23.1	14618079000002	putty			1	4.80	
24	11320022000016	belting			1	14.10	

This information is to be used by qualified HVAC technicians only and is subject to revision without notice

KSIA036-H216-O - Parts List No. P2IA1825

Above prices are subject to S&H charges

DATE 18-04