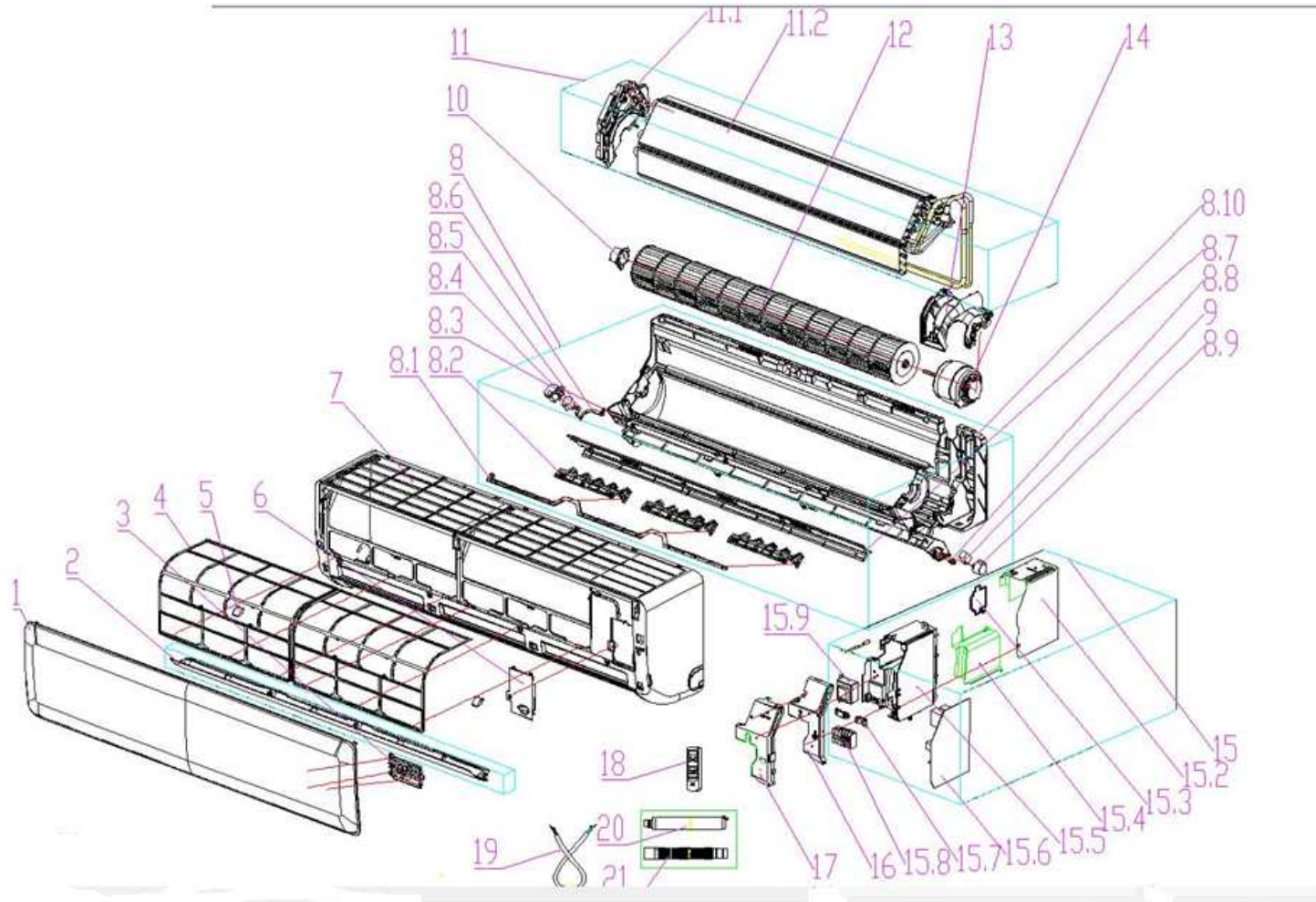


# EXPLODED DIAGRAM — PARTS VIEW

**Sales Model:** KSIA024-H217-IW  
**Power Supply:** 208-230 V-1 ph-60 Hz



This information is to be used by qualified HVAC technicians only and is subject to revision without notice

KSIA024-H217-IW - Drawing No. D2IA1822

DATE 18-04

## KSIA024-H217-IW — SPARE PARTS LIST

No.	Part Number	Description	Specifications	Stock No.	Qty.	Price	Remarks
1	11320003002072	Panel			1	\$ 19.64	
2	11320005000288	Air louver (horizontal)			1	\$ 3.57	
3	11222014000608	Display board			1	\$ 8.93	
4	11220508000138	Filter			2	\$ 0.36	
5	11320096000075	Screw cover			3	\$ 0.18	
6	11320076000057	Medium frame wiring cover			1	\$ 0.71	
7	11320002000233	Medium frame			1	\$ 9.82	
8	11220500000216	Chassis assembly			1	\$ 22.32	
8.2	11320017000110	Left-right swing blade			3	\$ 0.71	
8.7	11320135000008	Air louver			1	\$ 0.36	
8.8	11320079000016	Step motor shaft sleeve			1	\$ 1.43	
8.9	11230002000071	Air louver step motor			1	\$ 2.50	
8.1	11320001000194	Chassis			1	\$ 9.82	
10	11220551000003	Bearing assembly			1	\$ 0.36	
11	11224003000642	Evaporator assembly			1	\$ 76.79	
11.1	11320015000136	Evaporator left side carriage			1	\$ 41.07	
11.2	11224009000278	Evaporator assembly			1	\$ 0.71	
11.2	11224009000277	Evaporator assembly			1	\$ 0.71	
12	11220513000059	Cross flow fan			1	\$ 1.07	
13	11320052000035	Motor cover			1	\$ 0.89	
14	11230003000137	IDU fan motor			1	\$ 29.46	
15	11222003002196	Main controller			1	\$ 10.71	
15.2	11321035000022	Controller box sheet-metal A			1	\$ 3.57	
15.4	11321035000023	Controller box sheet-metal B			1	\$ 4.11	

This information is to be used by qualified HVAC technicians only and is subject to revision without notice

KSIA024-H217-IW - Parts List No. P2IA1822

Above prices are subject to S&H charges

DATE 18-04

## KSIA024-H217-IW — SPARE PARTS LIST

No.	Part Number	Description	Specifications	Stock No.	Qty.	Price	Remarks
15.5	11320057000088	Control box			1	\$ 4.29	
15.6	11222009002899	Main control board			1	\$ 4.29	
15.8	11330037000184	Terminal board			1	\$ 2.86	
16	11320058000055	Control box cover			1	\$ 1.07	
17	11321020000029	Controller box metal plate			1	\$ 4.46	
18	11222001000112	Remote controller			1	\$ 8.93	
19	11330021000980	Power cable			1	\$ 10.36	
20	11220506000009	Water flow pipe assembly			1	\$ 0.71	
21	11320020000008	Water flow pipe			1	\$ 0.71	

This information is to be used by qualified HVAC technicians only and is subject to revision without notice

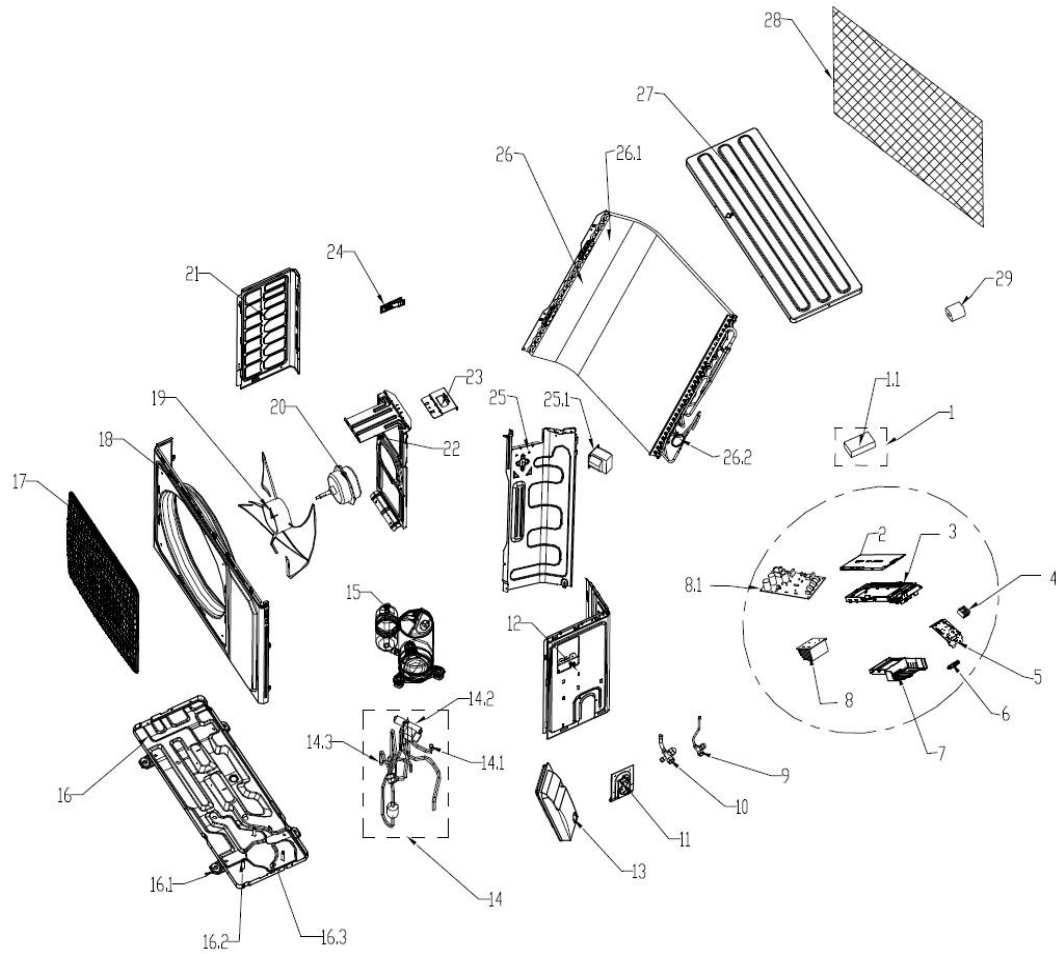
KSIA024-H217-IW - Parts List No. P2IA1822

Above prices are subject to S&H charges

DATE 18-04

# EXPLODED DIAGRAM — PARTS VIEW

**Sales Model:** KSIA024-H217-O  
**Power Supply:** 208-230 V-1 ph-60 Hz



This information is to be used by qualified HVAC technicians only and is subject to revision without notice

KSIA024-H217-O - Drawing No. D1IA1823

DATE 18-04

## KSIA024-H217-O — SPARE PARTS LIST

No.	Part Number	Description	Specifications	Stock No.	Qty.	Price	Remarks
1	11219005000167	install attachment			1	\$9.60	
1.1	14618079000002	putty			1	\$4.80	
2	11320058000082	control box cover			1	\$14.10	
3	11320057000102	control box			1	\$52.14	
4	11330037000157	terminal board			1	\$18.96	
5	11321015000071	E-parts bracket			1	\$14.10	
6	11320010000051	cable clamp			1	\$0.90	
7	11320230000004	control box base			1	\$18.96	
8	11222004000805	main controller			1	\$423.05	
8.1	11222031000839	outdorr board			1	\$362.61	
8.1.1	11329031000055	Radiator			1	\$34.76	
9	11325042000030	stop valve A			1	\$34.76	
10	11225517000011	stop valve B			1	\$11.70	
11	11321031000027	valve plate			1	\$79.00	
12	11321157000021	right side board			1	\$14.10	
13	11321008000014	E-parts cover			1	\$63.20	
14	11225516001035	4-way valve tubing assembly			1	\$103.87	
14.1	11225504000822	suction pipe assembly			1	\$120.87	
14.2	11225509000039	4-way valve			1	\$120.87	
14.3	11225505000919	discharge pipe assembly			1	\$7.20	
15	11223003000259	Compressor assembly			1	\$523.77	
16	11221502000598	Chassis assembly			1	\$34.76	
16.1	11221502000599	Chassis assembly			1	\$79.00	
16.1.1	11321023000015	base footing			2	\$107.44	

This information is to be used by qualified HVAC technicians only and is subject to revision without notice

KSIA024-H217-O - Parts List No. P2IA1823

Above prices are subject to S&H charges

DATE 18-04

## KSIA024-H217-O — SPARE PARTS LIST

No.	Part Number	Description	Specifications	Stock No.	Qty.	Price	Remarks
16.1.2	14731005000024	screw			3	\$94.80	
16.1.3	11321014000134	chassis			1	\$255.96	
17	11321022000236	panel grille			1	\$41.80	
18	11321005000110	panel			1	\$52.14	
19	11320009000064	axial flow fan			1	\$9.60	
20	11230005000046	motor			1	\$423.05	
21	11321156000002	left side board			1	\$9.60	
22	11321002000036	motor support			1	\$123.76	
23	11321029000007	Condenser assembly			1	\$50.16	
24	11320097000011	left handle			1	\$18.96	
25	11321025000073	partition board			1	\$63.20	
26	11330034000020	reactor			1	\$9.60	
27	11224004001604	Condenser assembly			1	\$56.80	
27.1	11224006000513	condenser assembly			1	\$94.80	
27.2	11225506001632	Capillary assembly			1	\$79.00	
28	11321009000052	top cover			1	\$56.00	
29	11332009000051	paperboard			1	\$27.60	
30	11320022000015	plastic tie			1.8	\$14.40	

This information is to be used by qualified HVAC technicians only and is subject to revision without notice

KSIA024-H217-O - Parts List No. P2IA1823

Above prices are subject to S&H charges

DATE 18-04