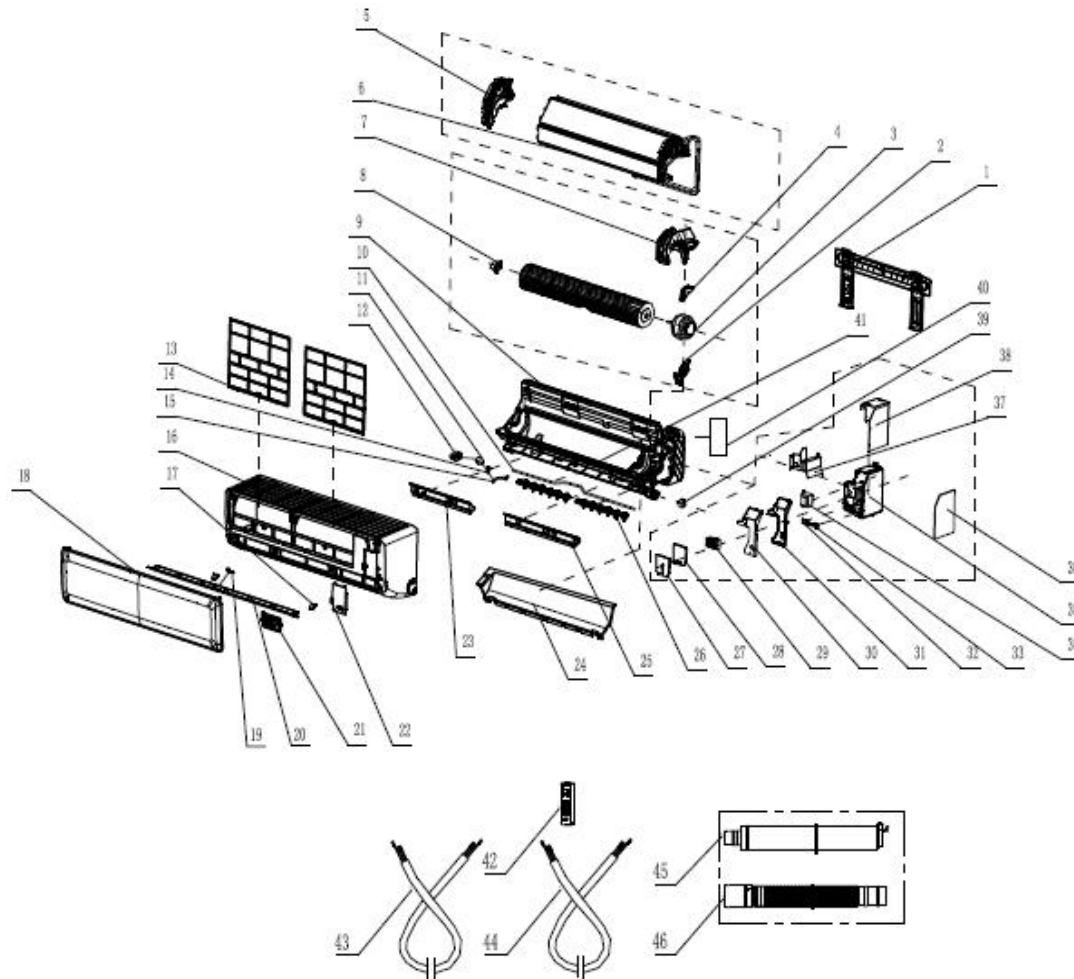


EXPLODED DIAGRAM — PARTS VIEW

Sales Model: KSIA018-H217-IW

Power Supply: 208-230 V-1-60 Hz



This information is to be used by qualified HVAC technicians only and is subject to revision without notice

KSIA018-H217-IW - Drawing No. D2IA1820

DATE 18-04

KSIA018-H217-IW — SPARE PARTS LIST

No.	Part Number	Description	Specifications	Stock No.	Qty.	Price	Remarks
1	11321003000028	Mounting plate assembly			1	\$ 60.71	
3	11230003000144	Indoor fan motor			1	\$ 200.89	
5	11320015000138	Evaporator left side carriage			1	\$ 10.71	
6	11224003000730	Evaporator assembly			1	\$ 295.98	
7	11320052000043	Motor cover			1	\$ 29.46	
8	11220551000003	Bearing assembly			1	\$ 10.71	
8.1	11220513000066	Turbine fan assembly			1	\$ 17.14	
9	11320001000240	Chassis			1	\$ 168.75	
13	11220508000140	Filter			2	\$ 5.36	
16	11320002000232	Medium frame			1	\$ 10.71	
17	11320096000075	Screw cover			2	\$ 5.36	
18	11320003002071	Panle			1	\$ 91.07	
19	11320080000007	Air louver			1	\$ 25.71	
20	11320005000287	Air louver			1	\$ 45.18	
21	11222014000608	Display board assembly			1	\$ 89.29	
22	11320076000057	Medium frame wiring cover			1	\$ 10.71	
23	11328003000134	Chassis foam b			1	\$ 5.36	
24	11327007000135	Chassis foam a			1	\$ 5.36	
24	11328003000120	Chassis foam a			1	\$ 5.36	
25	11327007000135	Chassis foam d			1	\$ 5.36	
25	11328003000135	Chassis foam d			1	\$ 5.36	
26	11320017000122	Left-right swing blade			2	\$ 10.71	
28	11320058000068	Electric controller box cover			1	\$ 39.29	
29	11330037000184	Terminal board			1	\$ 12.86	

This information is to be used by qualified HVAC technicians only and is subject to revision without notice

KSIA018-H217-IW - Parts List No. P2IA1820

Above prices are subject to S&H charges

DATE 18-04

KSIA018-H217-IW — SPARE PARTS LIST

No.	Part Number	Description	Specifications	Stock No.	Qty.	Price	Remarks
30	11321020000038	Electric control box sheet-metal cover			1	\$ 19.29	
32	11320010000046	Wire clamp			1	\$ 12.86	
35	11320057000083	Controller box			1	\$ 39.29	
36	11222009003384	Main PCB			1	\$ 241.07	
39	11230002000071	Step motor			1	\$ 30.00	
40	11320084000014	Pipe clamp			1	\$ 2.68	
41	11320135000017	Volute			1	\$ 5.36	
42	11222001000112	Remote control			1	\$ 30.64	
44	11330021000980	Power cable 2			1	\$ 5.36	
45	11220506000009	Water flow pipe assembly			1	\$ 13.39	
46	11320020000008	Water flow pipe			1	\$ 10.71	

This information is to be used by qualified HVAC technicians only and is subject to revision without notice

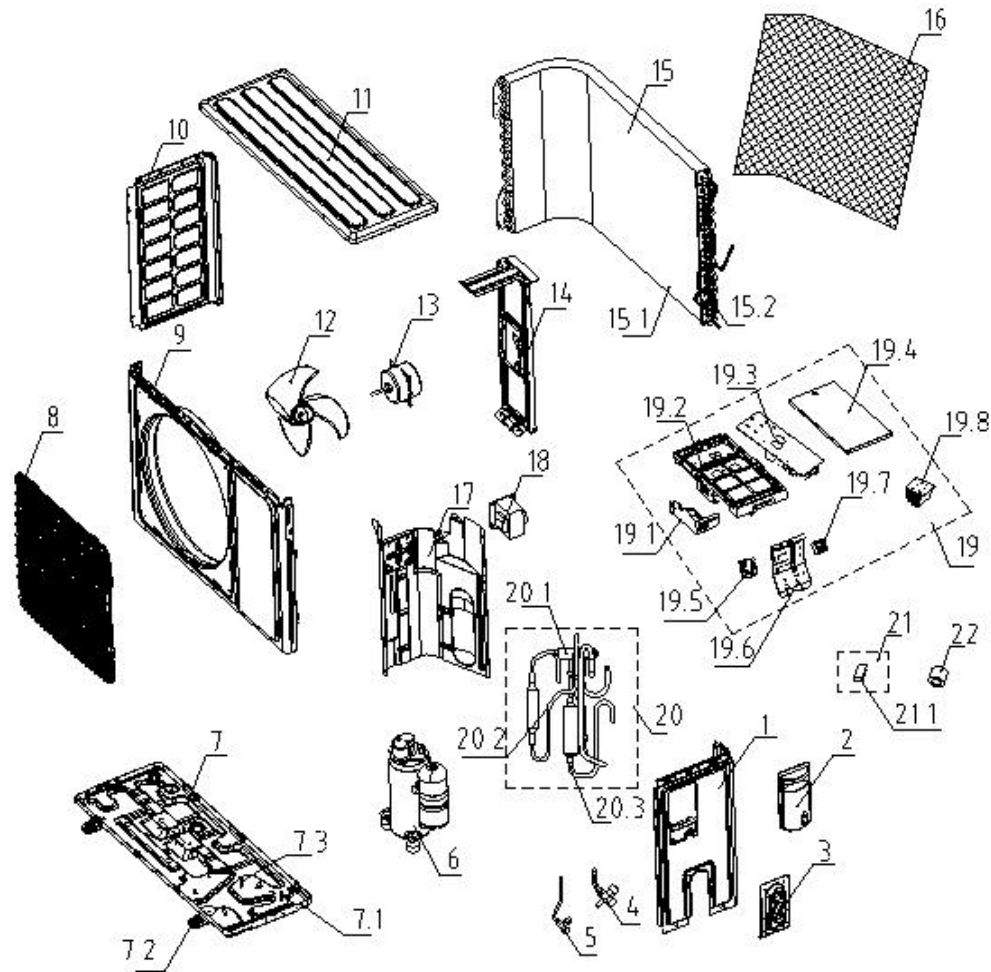
KSIA018-H217-IW - Parts List No. P2IA1820

Above prices are subject to S&H charges

DATE 18-04

EXPLODED DIAGRAM — PARTS VIEW

Sales Model: KSIA018-H217-O
Power Supply: 208-230 V-1ph-60 Hz



This information is to be used by qualified HVAC technicians only and is subject to revision without notice

KSIA018-H217-O - Drawing No. D1IA1821

DATE 18-04

KSIA018-H217-O — SPARE PARTS LIST

No.	Part Number	Description	Specifications	Stock No.	Qty.	Price	Remarks
1	11321007000291	Right side panel			1	\$41.80	
2	11321008000014	E-parts cover			1	\$40.04	
3	11321031000027	Valve plate			1	\$9.60	
4	11325042000030	Stop valve			1	\$27.72	
5	11225517000036	Stop valve			1	\$27.72	
6	11223003000292	Compressor assembly			1	\$419.02	
7	11221502000464	Chassis assembly			1	\$63.20	
7.1	11321014000145	Chassis			1	\$15.36	
7.2	11321023000019	Base footing			2	\$15.36	
7.3	14731005000024	Screw			3	\$7.20	
8	11321022000215	Panel grille			1	\$79.40	
9	11321005000107	Panel			1	\$178.50	
10	11321006000113	Left side board			1	\$63.20	
11	11321009000057	Top cover			1	\$41.80	
12	11320009000063	Axial flow fan			1	\$31.24	
13	11230005000012	Motor			1	\$292.20	
14	11321002000040	Motor support			1	\$27.72	
15	11224004001320	Condenser assembly			1	\$303.36	
15.1	11224006000423	Condenser assembly			1	\$242.70	
15.2	11225506001433	Capillary assembly			1	\$34.76	
16	11332009000046	Paperboard			1	\$52.14	
17	11321025000059	Partition board			1	\$4.80	
18	11330034000020	Reactor			1	\$52.14	
19	11222004000636	Main controller			1	\$301.44	

This information is to be used by qualified HVAC technicians only and is subject to revision without notice

KSIA018-H217-O - Parts List No. P2IA1821

Above prices are subject to S&H charges

DATE 18-04

KSIA018-H217-O — SPARE PARTS LIST

No.	Part Number	Description	Specifications	Stock No.	Qty.	Price	Remarks
19.2	11320057000069	Control box			1	\$27.72	
19.3	11222031000689	Outdoor board			1	\$109.14	
19.4	11320058000057	Control box cover			1	\$14.10	
19.6	11321015000071	E-parts bracket			1	\$53.40	
19.7	11330037000157	Terminal board			1	\$27.72	
19.8	11329031000031	Heating panel			1	\$66.90	
19.8	11329031000055	Heating panel			1	\$66.90	
20	11225516000925	4-way valve assembly			1	\$9.60	
20.1	11225509000039	4-way valve			1	\$36.52	
20.2	11225505000779	Discharge pipe assembly			1	\$14.10	
20.3	11325019001211	Suction pipe assembly			1	\$27.72	
21	11219005000166	Accessory bag			1	\$4.80	
21.1	14618079000002	Putty			1	\$14.10	
22	11320022000016	Plastic tie			1	\$8.10	

This information is to be used by qualified HVAC technicians only and is subject to revision without notice

KSIA018-H217-O - Parts List No. P2IA1821

Above prices are subject to S&H charges

DATE 18-04