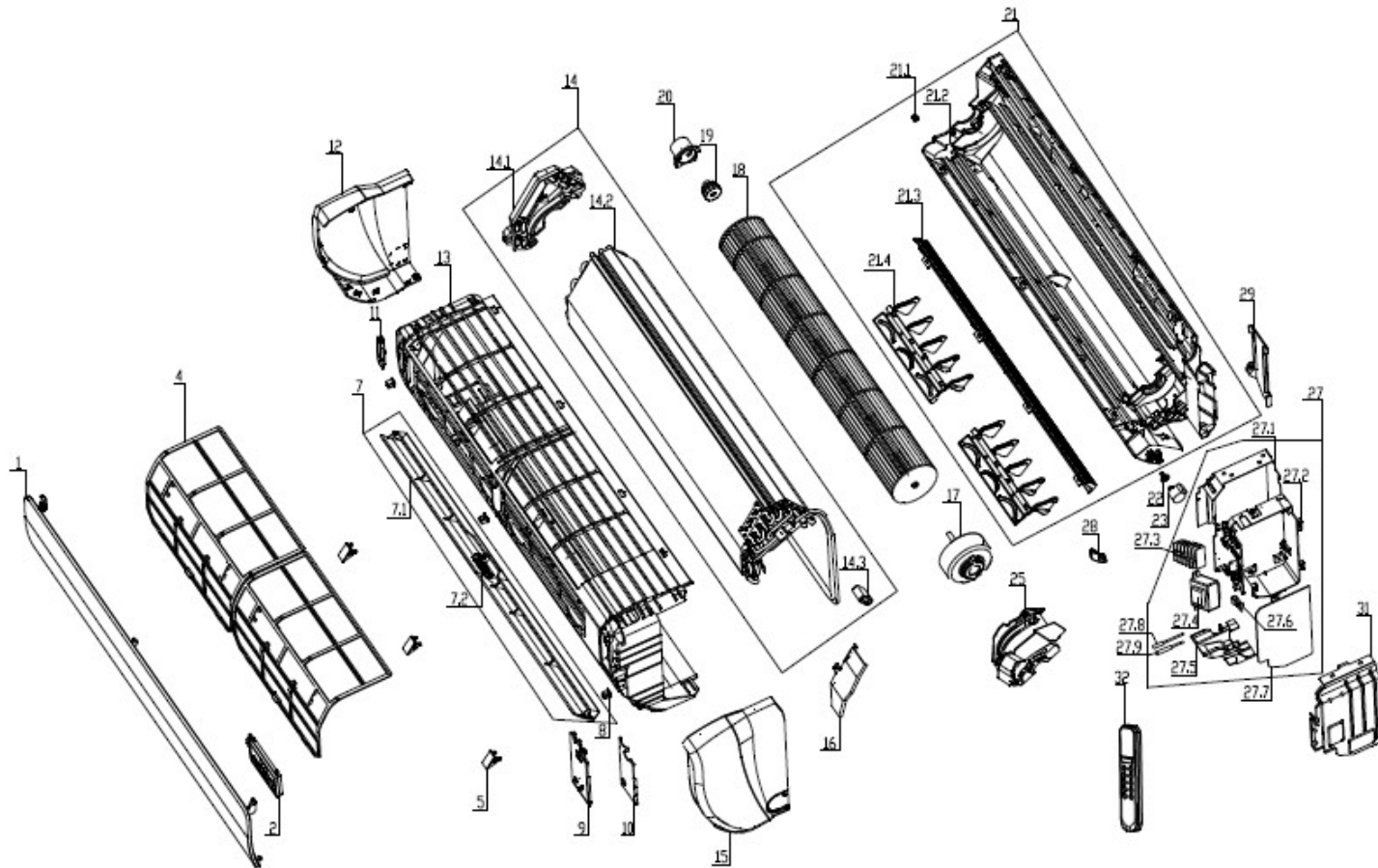


EXPLODED DIAGRAM - PARTS VIEW

Sales Model: KSIA012-H116-IW

Power Supply: 115V / 60Hz



This information is to be used by qualified HVAC technicians only and is subject to revision without notice

KSIA012-H116-IW - Drawing No. D2IA1721

DATE 17-07

KSIA012-H116-IW - SPARE PARTS LIST

No.	Part Number	Part Name	Specifications	Stock No.	Qty.	Price	Remarks
1	11320003002266	Panel			1	\$44.37	
2	11222014000521	Display board			1	\$61.71	
4	11220508000143	Filter			1	\$9.68	
5	11320096000055	Screw cover			1	—	
6	11320061000276	Decoration board			1	\$17.40	
7	11320005000247	Air louver (Horizontal) A			1	\$17.40	
7.1	11320080000007	Air louver			1	—	
9	11320076000063	Medium frame wiring cover			1	\$6.38	
12	11320035000010	Left cover			1	\$20.40	
13	11320002000199	Medium frame			1	\$49.30	
14	11224003000577	Evaporator assembly			1	\$189.36	
14.1	11320015000113	Evaporator left side carriage			1	\$6.38	
14.2	11224009000200	Evaporator assembly			1	—	
14.2	11224009000199	Evaporator assembly			1	—	
14.3	11320101000018	Evaporator protecting bush			1	—	
15	11320036000010	Right cover			1	\$20.40	
16	11320065000028	Breakwater			1	—	
17	11230003000171	IDU fan motor			1	\$111.72	
18	11220513000054	Cross flow fan			1	\$44.37	
19	11220551000003	Bearing assembly			1	—	
20	11320062000028	Bearing fixed chassis			1	—	
21	11220500000166	Chassis assembly			1	—	
21.1	11320079000010	Chassis shaft sleeve			1	—	
21.2	11320001000217	Chassis			1	—	

This information is to be used by qualified HVAC technicians only and is subject to revision without notice

KSIA012-H116-IW - Drawing No. P2IA1721

Above prices are subject to S&H charges

DATE 17-07

KSIA012-H116-IW - SPARE PARTS LIST

No.	Part Number	Part Name	Specifications	Stock No.	Qty.	Price	Remarks
21.3	11320135000016	Air louver			1	\$7.92	
21.4	11320017000118	Left-right swing blade			1	\$3.30	
22	11320079000013	Step motor shaft sleeve			1	—	
23	11230002000058	Step motor			1	\$20.40	
24	11221526000003	Sontrroller box metal plate			1	\$9.68	
25	11320052000032	Motor cover			1	\$6.38	
27	11222003002575	Main controller			1	\$167.16	
27.1	11321012000006	Controller box sheet-metal B			1	\$6.38	
27.2	11320057000089	Control box			1	\$11.60	
27.3	11330037000020	Terminal board			1	\$14.60	
27.7	11222009003201	Main control board			1	\$132.02	
27.8	11329013000103	Temperature sensor			1	\$9.68	
27.9	11329013000103	Temperature sensor			1	\$9.68	
28	11320010000037	Power wire cable clamp			1	—	
29	11320084000015	Pipe clamp			1	—	
30	11321003000028	Mounting plate assembly			1	\$17.40	
31	11321012000005	Controller box sheet-metal A			1	\$6.38	
32	11222001000112	Remote controller			1	\$73.95	
39	11333003000009	Drain plug			1	—	

This information is to be used by qualified HVAC technicians only and is subject to revision without notice

KSIA012-H116-IW - Drawing No. P2IA1721

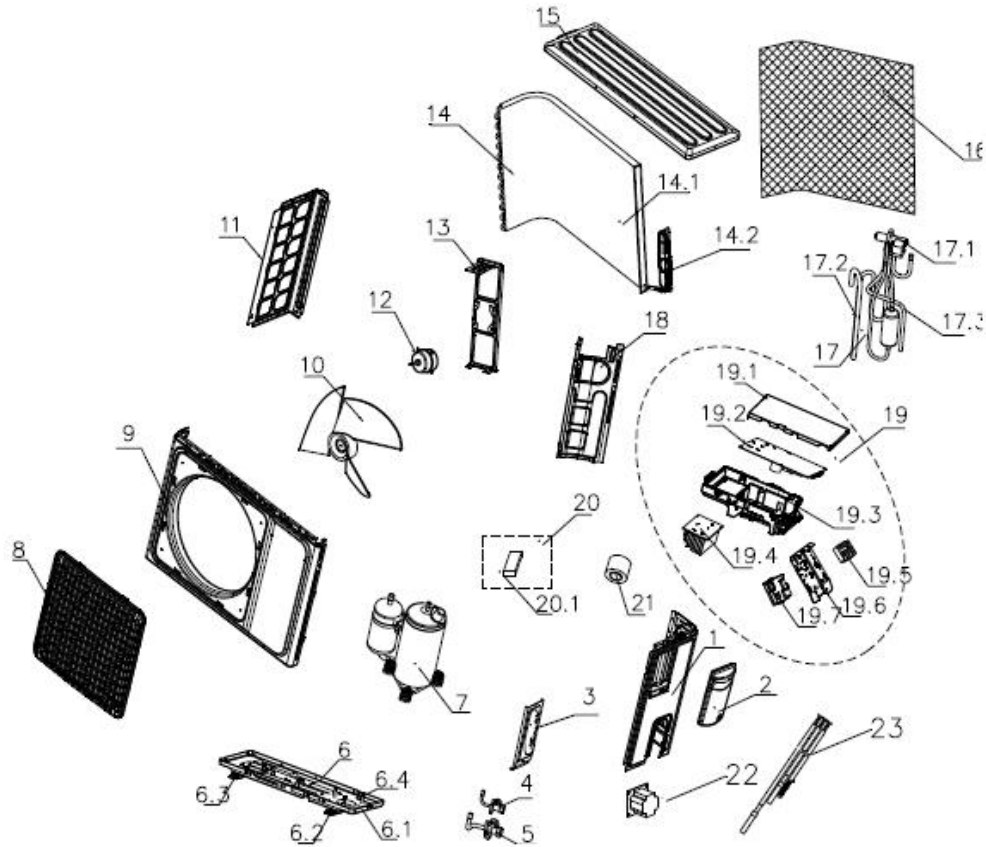
Above prices are subject to S&H charges

DATE 17-07

EXPLODED DIAGRAM - PARTS VIEW

Sales Model: KSA012-H116-O

Power Supply: 115V / 60Hz



This information is to be used by qualified HVAC technicians only and is subject to revision without notice

KSA012-H116-O - Drawing No. D1IA1722

DATE 17-07

KSIA012-H116-O - SPARE PARTS LIST

No.	Part Number	Part Name	Specifications	Stock No.	Qty.	Price	Remarks
1	11321007000287	Right side board				\$33.06	
2	11321008000014	E-parts cover				\$6.38	
3	11321031000027	Valve plate				\$6.38	
4	11325042000030	Stop valve				\$23.20	
5	11225517000006	Stop valve				\$41.42	
6	11221502000434	Chassis assembly				\$61.71	
6.1	11321014000127	Chassis				—	
6.2	11321023000012	Right base footing				—	
6.3	11321023000012	Left base footing				—	
6.4	14731005000024	Screw Bolt				—	
7	11223003000310	Compressor				\$350.49	
8	11321022000214	Panel grille				\$27.55	
9	11321005000075	Panel				\$54.23	
10	11320009000049	Axial flow fan				\$33.06	
11	11321006000108	Left side board				\$24.89	
12	11230005000002	Electrical machine				\$121.92	
13	11321002000030	Motor support				\$23.20	
14	11224004001252	Condenser assembly				\$195.93	
14.1	11224006000386	Condenser assembly				—	
14.2	11225506001353	Capillary assembly				\$27.55	
15	11321009000033	Top cover				\$33.06	
16	11332009000044	Back grille				—	
17	11225516000916	4-way valve tubing assembly				\$148.08	
17.1	11325007000111	4-way valve				\$91.42	

This information is to be used by qualified HVAC technicians only and is subject to revision without notice

KSIA012-H116-O - Drawing No. P11A1722

Above prices are subject to S&H charges

DATE 17-07

KSIA012-H116-O - SPARE PARTS LIST

No.	Part Number	Part Name	Specifications	Stock No.	Qty.	Price	Remarks
17.2	11225504000454	Suction pipe assembly				—	
17.3	11225505000537	Discharge pipe assembly				—	
18	11321025000048	Partition board				\$20.40	
19	11222004000519	Main controller				\$383.20	
19.1	11320058000057	Control box cover				\$9.68	
19.2	11222031000616	Main control board				\$167.16	
19.3	11320057000069	Control box				\$33.06	
19.4	11329031000042	Radiator				—	
19.5	11330037000139	Terminal board				\$9.68	
19.6	11321015000061	E-parts bracket				\$6.38	
20	11219005000166	Accessories				—	
20.1	14618079000002	Putty				—	
21	11320022000016	Tie				—	
23	11329013000105	Temperature sensor				\$23.20	

This information is to be used by qualified HVAC technicians only and is subject to revision without notice

KSIA012-H116-O - Drawing No. P1IA1722

Above prices are subject to S&H charges

DATE 17-07